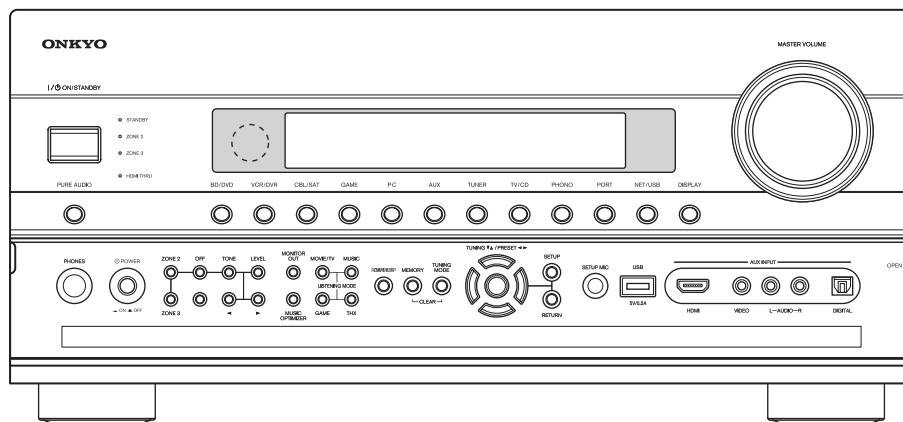
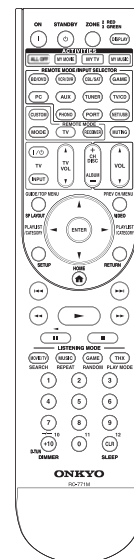


# ONKYO SERVICE MANUAL

## AV RECEIVER MODEL TX-NR808(B)/(S)




**Black and Silver models**



RC-771M

B MDC, B MDF	120V AC, 60Hz
B MMP, B MMA, B MMB, S MMP	220-240V AC, 50/60Hz
B MMR, B MMQ	220-240V AC, 50/60Hz

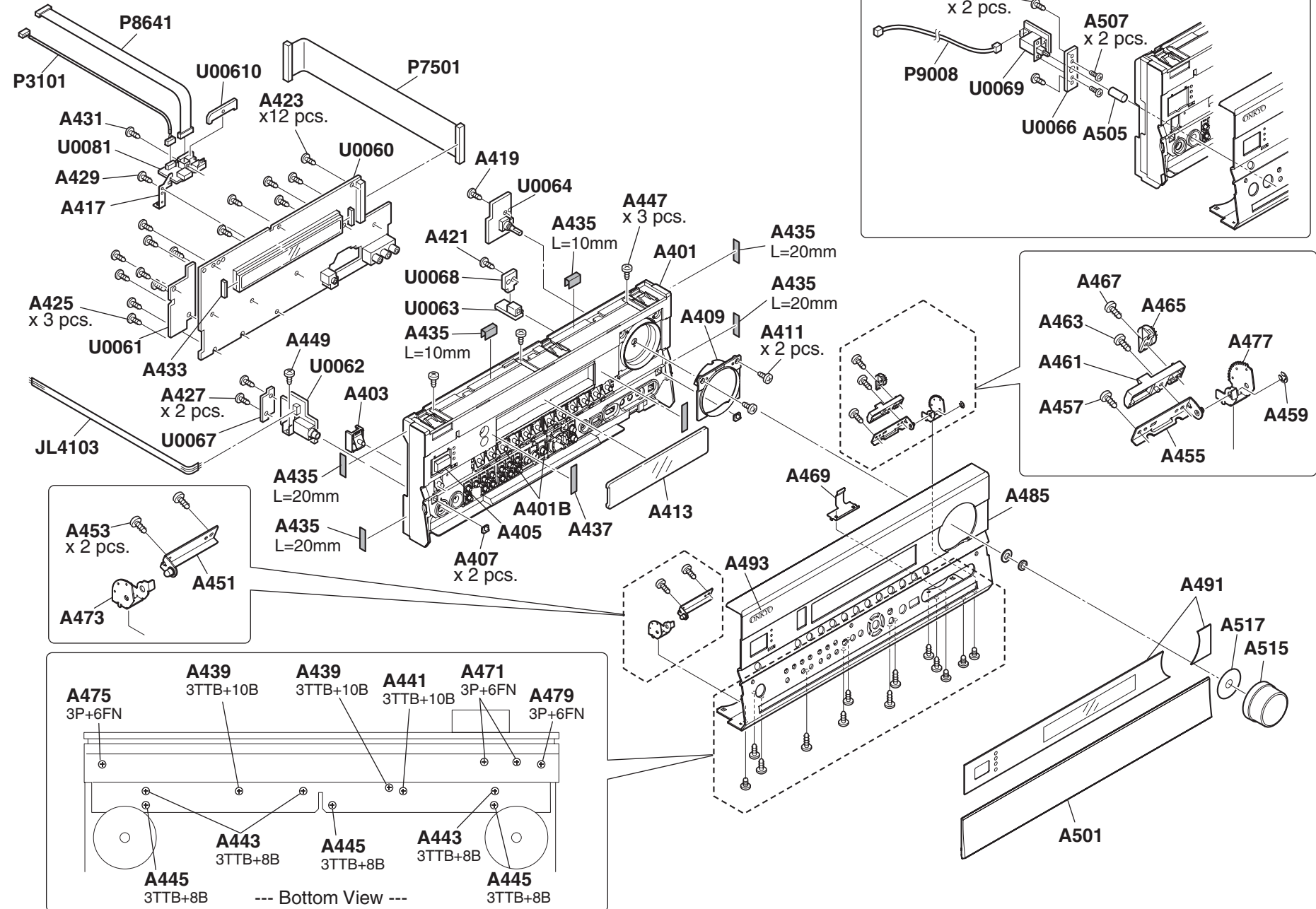
### SAFETY-RELATED COMPONENT WARNING!!

COMPONENTS IDENTIFIED BY MARK  ON THE SCHEMATIC DIAGRAM AND IN THE PARTS LIST ARE CRITICAL FOR RISK OF FIRE AND ELECTRIC SHOCK. REPLACE THESE COMPONENTS WITH ONKYO PARTS WHOSE PART NUMBERS APPEAR AS SHOWN IN THIS MANUAL.

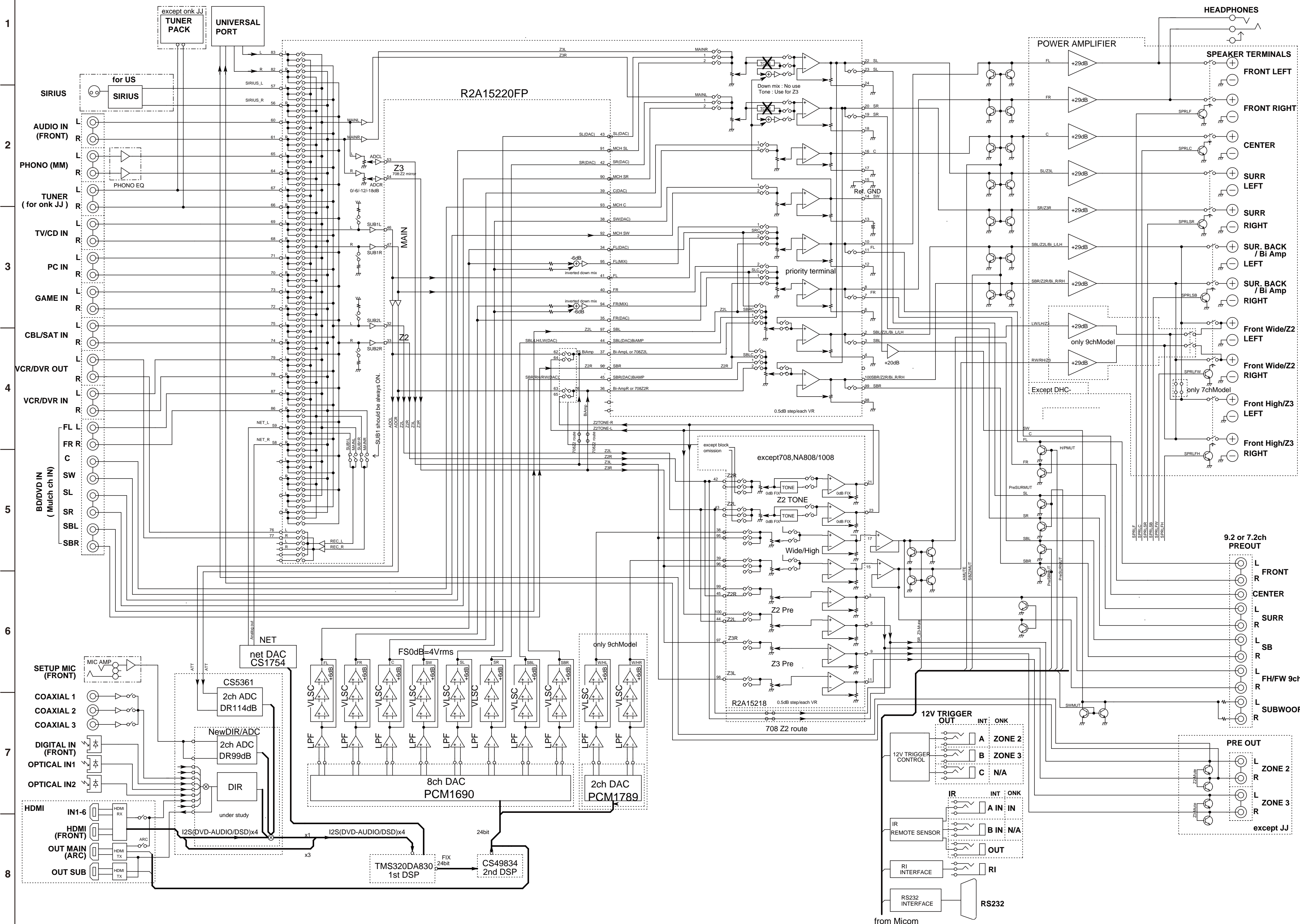
MAKE LEAKAGE-CURRENT OR RESISTANCE MEASUREMENTS TO DETERMINE THAT EXPOSED PARTS ARE ACCEPTABLY INSULATED FROM THE SUPPLY CIRCUIT BEFORE RETURNING THE APPLIANCE TO THE CUSTOMER.



**EXPLODED VIEWS-2**  
**FRONT SECTION**



SCHEMATIC DIAGRAMS - 1  
BLOCK DIAGRAM AUDIO SECTION



1  
2  
3  
4  
5  
6  
7  
8

A B C D E F G H I J K

except onk JJ  
TUNER PACK  
UNIVERSAL PORT

R2A15220FP

POWER AMPLIFIER

HEADPHONES

SPEAKER TERMINALS

FRONT LEFT

FRONT RIGHT

CENTER

SURR LEFT

SURR RIGHT

SUR. BACK / Bi Amp LEFT

SUR. BACK / Bi Amp RIGHT

Front Wide/Z2 LEFT

Front Wide/Z2 RIGHT

Front High/Z3 LEFT

Front High/Z3 RIGHT

9.2 or 7.2ch PREOUT

L FRONT

R CENTER

L SURR

R SB

L FH/FW 9chmodel

R SUBWOOFER

L ZONE 2

R ZONE 3

L ZONE 2

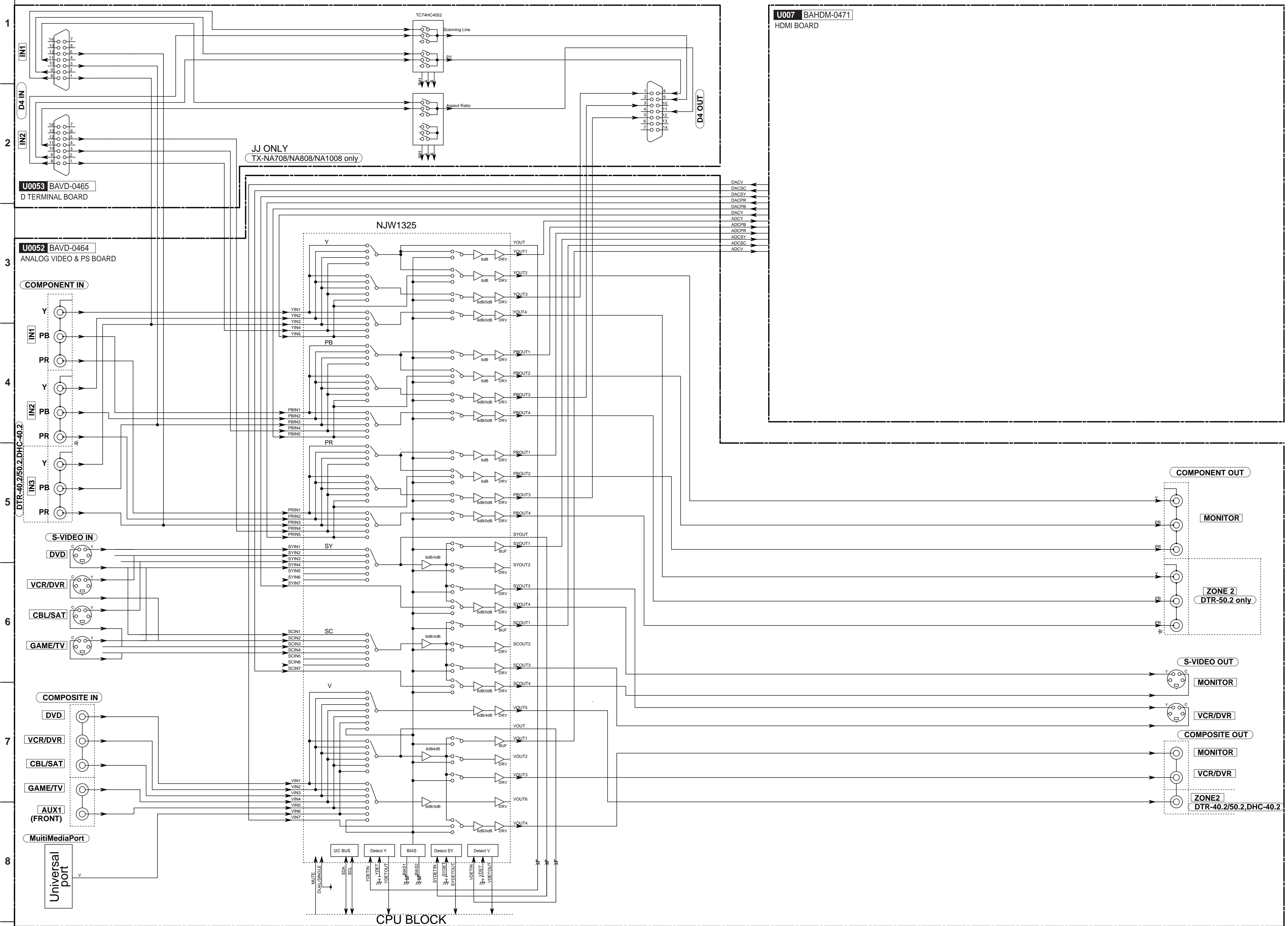
R ZONE 3

except JJ

from Micom

A B C D E F G H I J K

SCHEMATIC DIAGRAMS - 2  
BLOCK DIAGRAM VIDEO SECTION



1  
2  
3  
4  
5  
6  
7  
8

U0053 BAVD-0465  
D TERMINAL BOARD

U0052 BAVD-0464  
ANALOG VIDEO & PS BOARD

COMPONENT IN

S-VIDEO IN

VCR/DVR

CBL/SAT

GAME/TV

COMPOSITE IN

VCR/DVR

CBL/SAT

GAME/TV

AUX1 (FRONT)

MultiMediaPort

NJW1325

CPU BLOCK

U007 BAHDM-0471  
HDMI BOARD

COMPONENT OUT

MONITOR

ZONE 2  
DTR-50.2 only

S-VIDEO OUT

MONITOR

VCR/DVR

COMPOSITE OUT

MONITOR

VCR/DVR

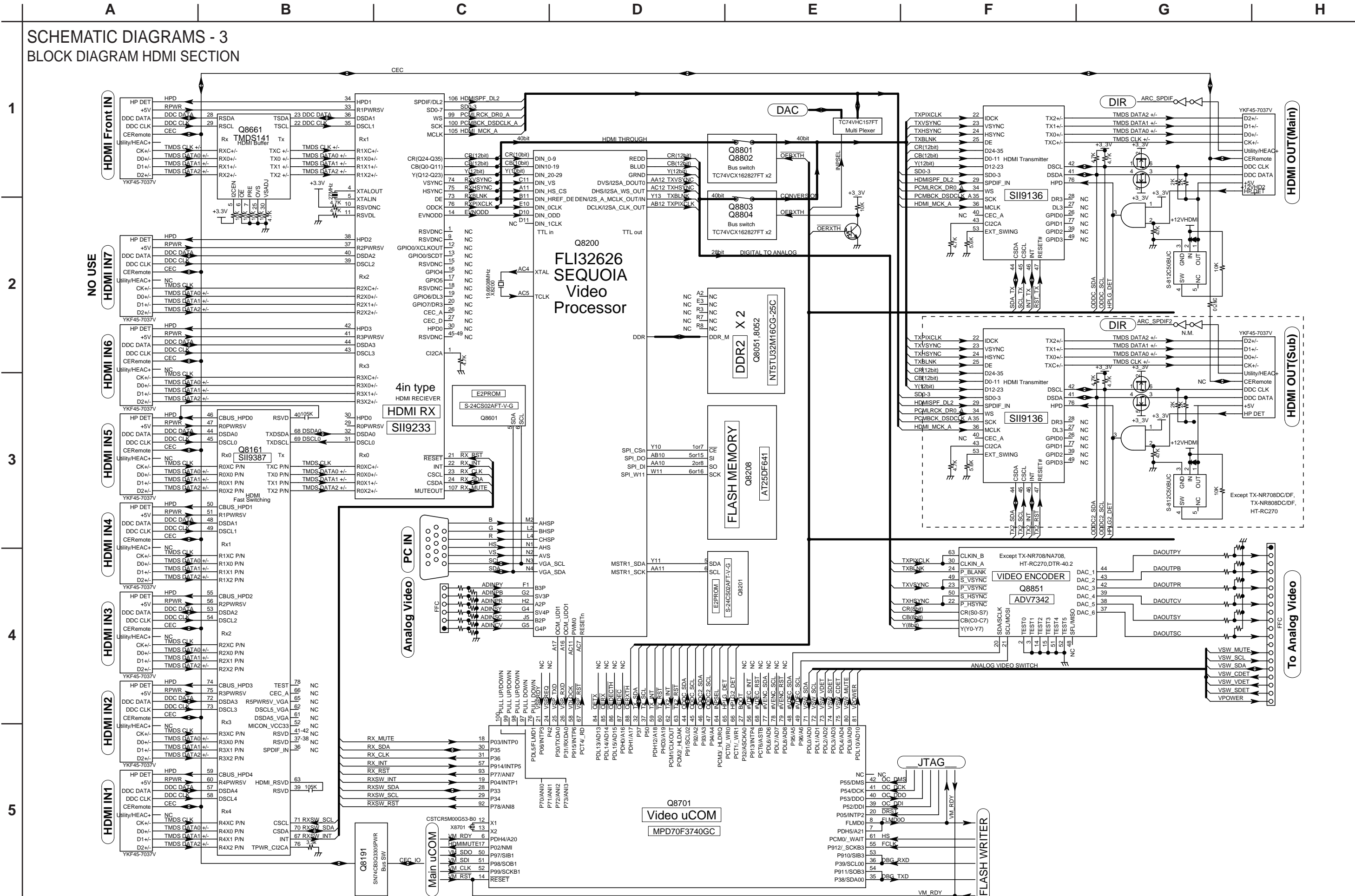
ZONE 2  
DTR-40.2/50.2,DHC-40.2

DACV  
DACSC  
DACSY  
DACPB  
ADCY  
ADCPB  
ADCPR  
ADCSY  
ADCSC  
ADCV

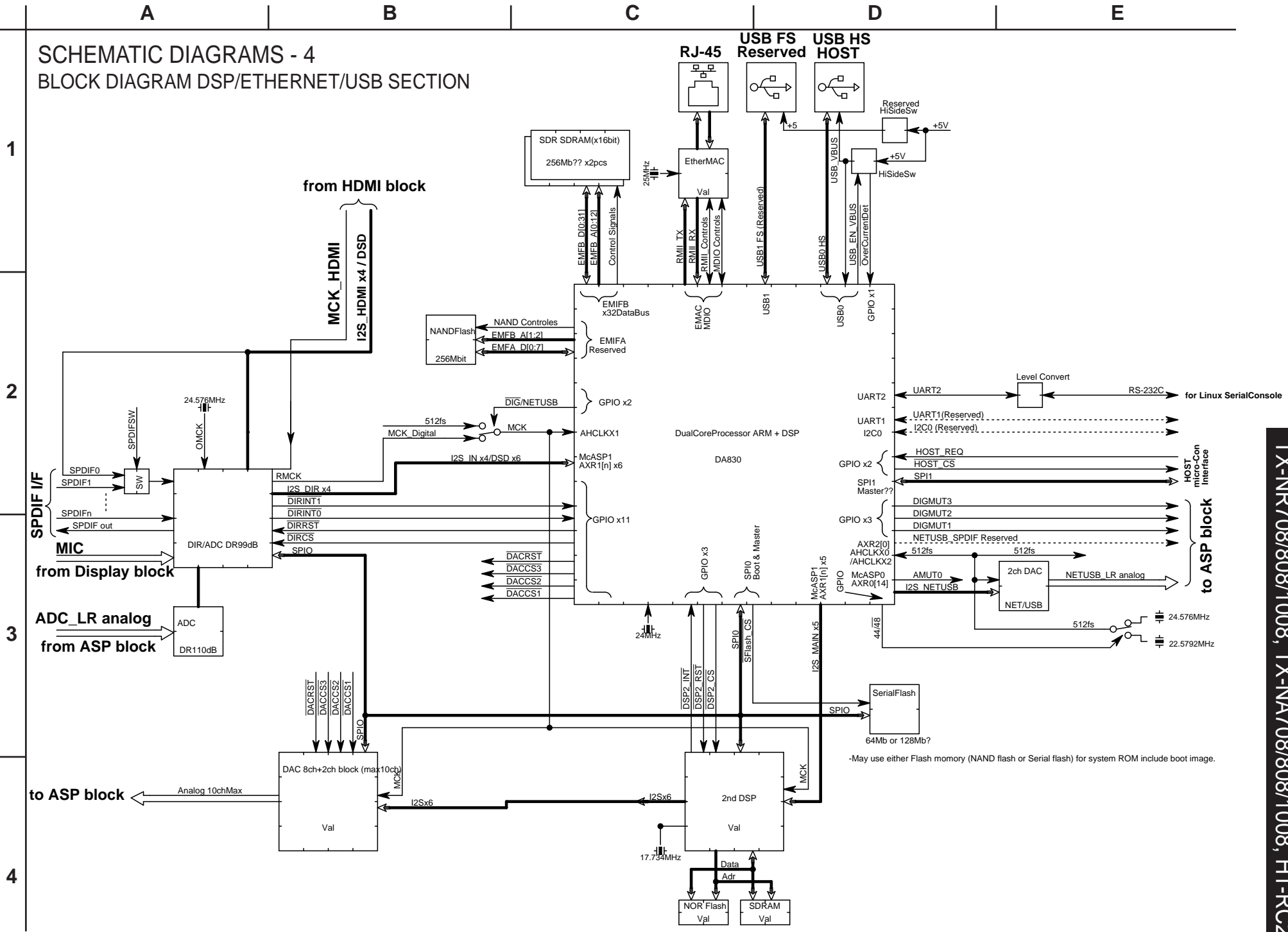
DTR-40.2/50.2,DHC-40.2

DTR-40.2/50.2,DHC-40.2

SCHEMATIC DIAGRAMS - 3  
BLOCK DIAGRAM HDMI SECTION



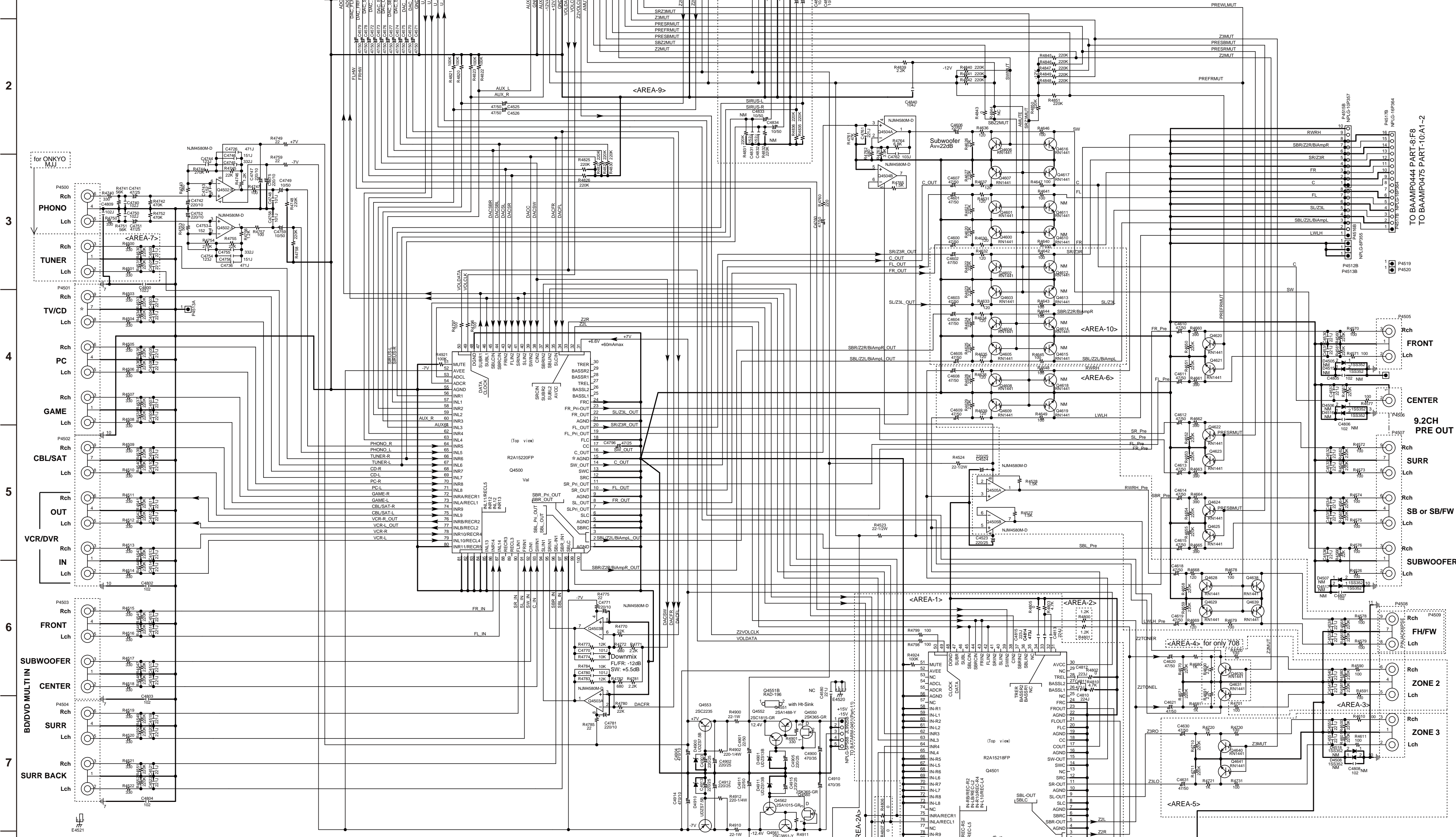
SCHEMATIC DIAGRAMS - 4  
BLOCK DIAGRAM DSP/ETHERNET/USB SECTION



SCHEMATIC DIAGRAMS - 5  
AUDIO INPUT/OUTPUT SECTION

NOTE:  
XY in "SCHEMATIC-a / PART-b:XY" indicates the target location of the plug or socket, X=A to E/H/K, Y=1 to 4/5/8.

1 **U004** BAASP-0458  
AMP. (AUDIO IN/OUT) BOARD



	P4500	P4501/P4502	P4503/P4504	P4505	P4506	P4507	P4508	2Z/23 IC	NON 2Z/23 IC	NON 2Z/23 IC	NON 2Z/23 IC	2Z OUT	WHL/ WHR	Tuner	SIRIUS	Z2 OUT	Z3 OUT	WHL/ WHR	O = mount	--- = no mount
708 without JJ,RC270	ALL	S 2ch	S 6ch	S 4ch	S 2ch	S 1ch	S 6ch	○	○	○	○	○	○	○	○	○	○	○	○	○
708 JJ	MJJ	S 4ch	S 6ch	S 4ch	S 2ch	S 1ch	S 6ch	○	○	○	○	○	○	○	○	○	○	○	○	○
DTR-40.2	ALL	G 2ch	G 6ch	G 4ch	G 2ch	G 1ch	G 6ch	○	○	○	○	○	○	○	○	○	○	○	○	○
DHC-40.2	ALL	G 2ch	G 6ch	G 4ch	G 2ch	G 1ch	G 6ch	○	○	○	○	○	○	○	○	○	○	○	○	○
808 without JJ	ALL	S 2ch	S 6ch	S 4ch	S 2ch	S 1ch	S 6ch	○	○	○	○	○	○	○	○	○	○	○	○	○
808 JJ	MJJ	S 4ch	S 6ch	S 4ch	S 2ch	S 1ch	S 6ch	○	○	○	○	○	○	○	○	○	○	○	○	○
50.2	ALL	G 2ch	G 6ch	G 4ch	G 2ch	G 1ch	G 6ch	○	○	○	○	○	○	○	○	○	○	○	○	○
1008 without JJ	ALL	S 2ch	S 6ch	S 4ch	S 2ch	S 1ch	S 6ch	○	○	○	○	○	○	○	○	○	○	○	○	○
1008 JJ	MJJ	S 2ch	S 6ch	S 4ch	S 2ch	S 1ch	S 6ch	○	○	○	○	○	○	○	○	○	○	○	○	○

8



SCHEMATIC DIAGRAMS - 6  
AMP (VOLTAGE AMP) SECTION

NOTE:  
XY in "SCHEMATIC-a / PART-b:XY" indicates the target location of the plug or socket, X=A to E/H/K, Y=1 to 4/5/8.

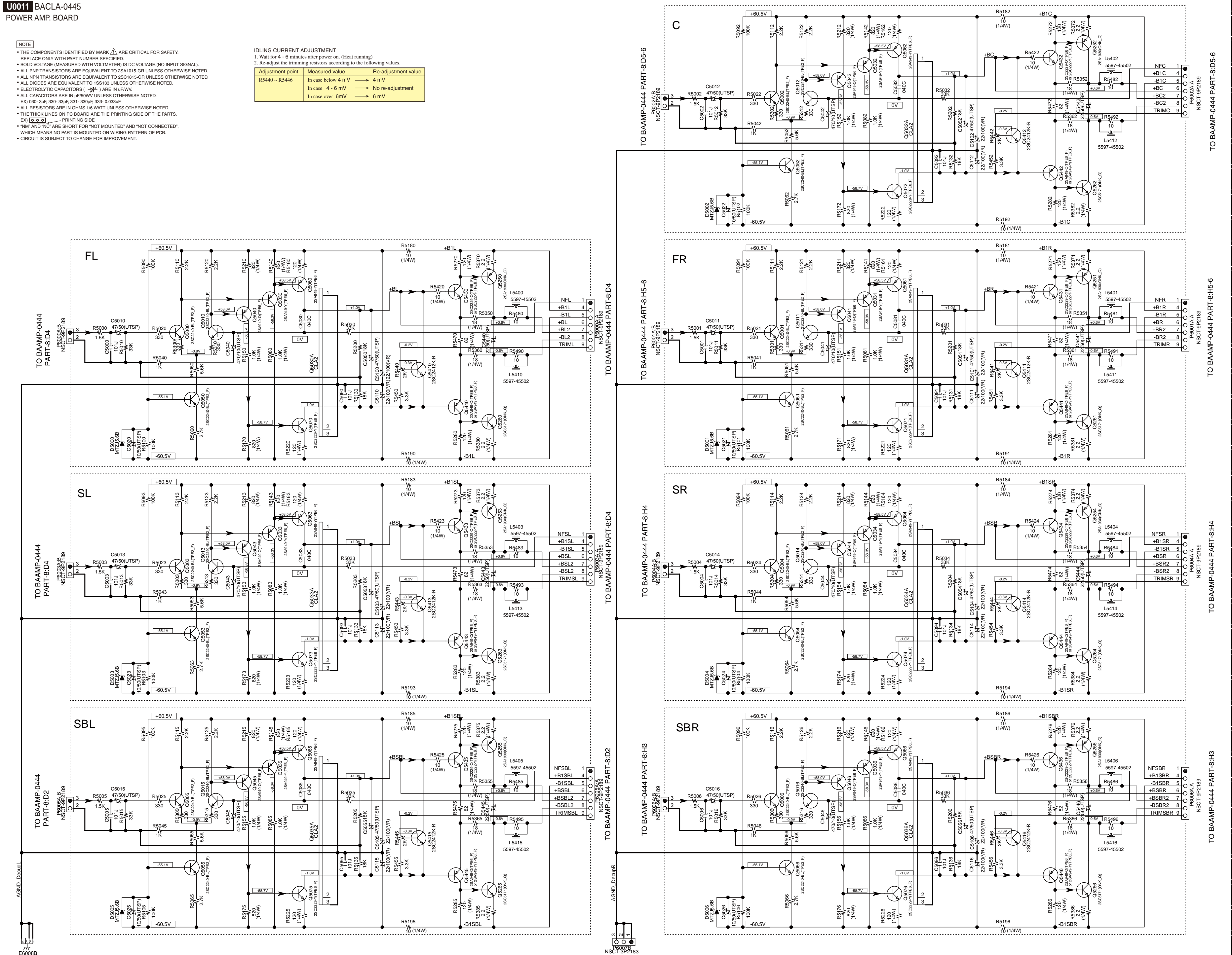
U0011 BACLA-0445  
POWER AMP. BOARD

- NOTE
- THE COMPONENTS IDENTIFIED BY MARK  $\Delta$  ARE CRITICAL FOR SAFETY.
  - REPLACE ONLY WITH PART NUMBER SPECIFIED.
  - SOLD VOLTAGE (MEASURED WITH VOLTMETER) IS DC VOLTAGE (NO INPUT SIGNAL).
  - ALL PNP TRANSISTORS ARE EQUIVALENT TO 2SA1015-GR UNLESS OTHERWISE NOTED.
  - ALL NPN TRANSISTORS ARE EQUIVALENT TO 2SC1815-GR UNLESS OTHERWISE NOTED.
  - ALL DIODES ARE EQUIVALENT TO 1S8133 UNLESS OTHERWISE NOTED.
  - ELECTROLYTIC CAPACITORS (  $\Delta$  ) ARE IN  $\mu$ F/W.
  - ALL CAPACITORS ARE IN pF/50WV UNLESS OTHERWISE NOTED.
  - EX) 030-3pF, 330-33pF, 331-330pF, 333-0.033uF.
  - ALL RESISTORS ARE IN OHMS 1/4 WATT UNLESS OTHERWISE NOTED.
  - THE THICK LINES ON PCB BOARD ARE THE PRINTING SIDE OF THE PARTS.
  - EX)  $\Delta$  PRINTING SIDE
  - "NM" AND "NC" ARE SHORT FOR "NOT MOUNTED" AND "NOT CONNECTED", WHICH MEANS NO PART IS MOUNTED ON WIRING PATTERN OF PCB.
  - CIRCUIT IS SUBJECT TO CHANGE FOR IMPROVEMENT.

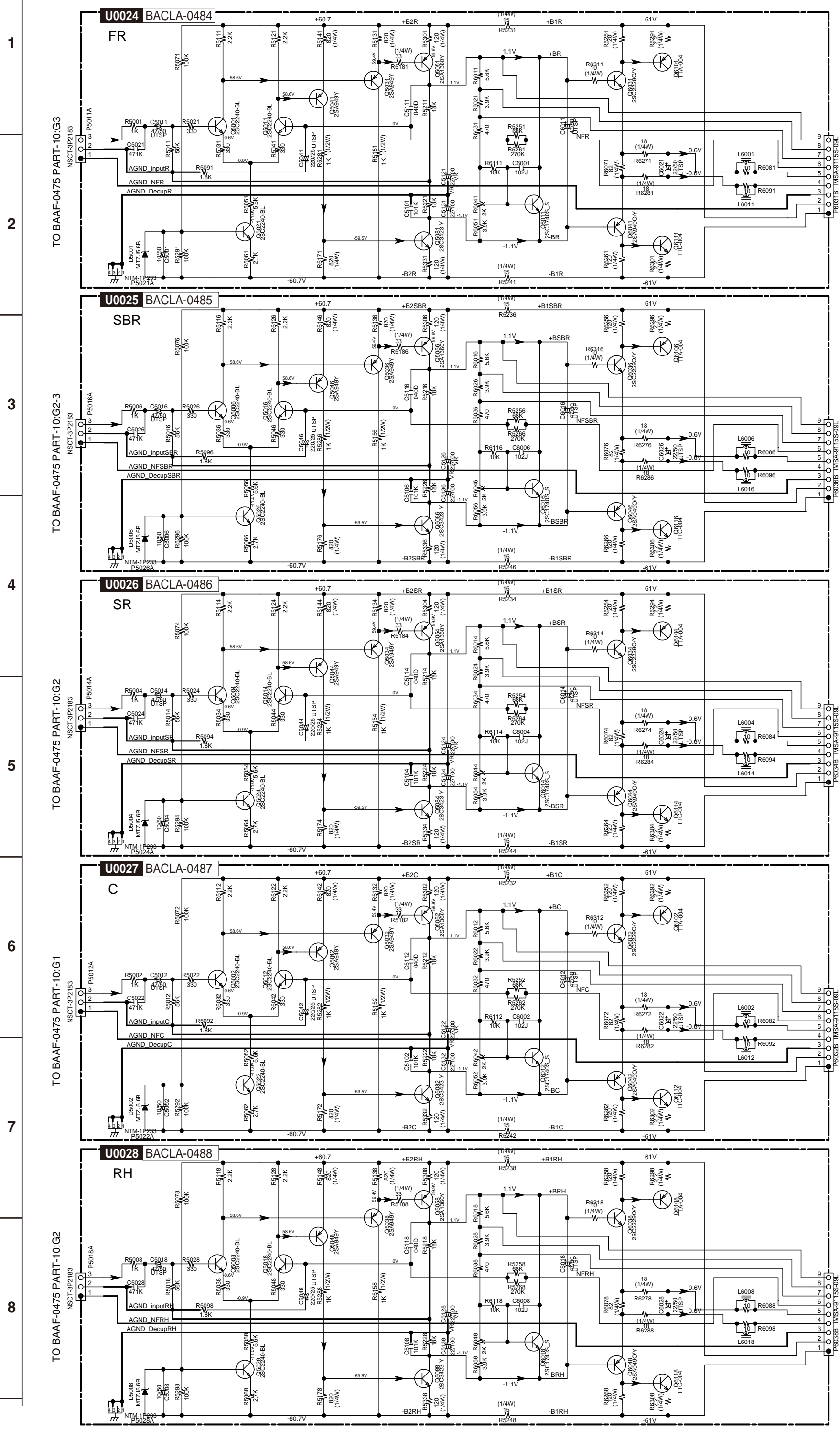
LOADING CURRENT ADJUSTMENT

- Wait for 4 ~ 6 minutes after power on. (Heat running)
- Re-adjust the trimming resistors according to the following values.

Adjustment point	Measured value	Re-adjustment value
R5440 ~ R5446	In case below 4 mV	4 mV
	In case 4 ~ 6 mV	No re-adjustment
	In case over 6mV	6 mV



SCHEMATIC DIAGRAMS - 7  
AMP (VOLTAGE AMP) SECTION



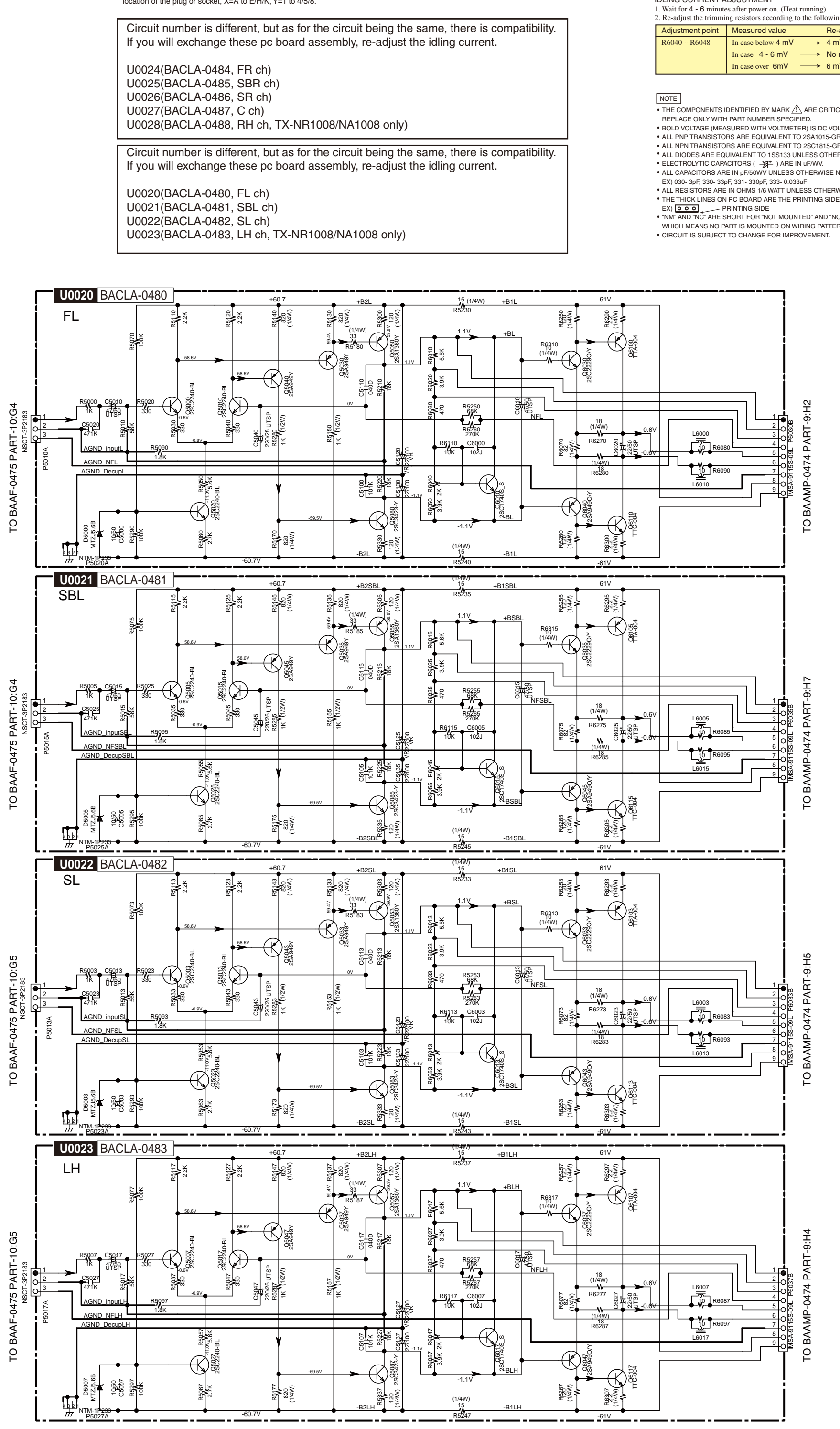
TO BAAMP-0474 PART-9-D2

TO BAAMP-0474 PART-9-D7

TO BAAMP-0474 PART-9-D5

TO BAAMP-0474 PART-9-A7

TO BAAMP-0474 PART-9-D4



TO BAAMP-0474 PART-9-H2

TO BAAMP-0474 PART-9-H7

TO BAAMP-0474 PART-9-H5

TO BAAMP-0474 PART-9-H4

NOTE:  
XY in "SCHEMATIC-a / PART-b:XY" indicates the target location of the plug or socket, X=A to E/H/K, Y=1 to 4/5/6.

Circuit number is different, but as for the circuit being the same, there is compatibility. If you will exchange these pc board assembly, re-adjust the idling current.

- U0024(BACLA-0484, FR ch)
- U0025(BACLA-0485, SBR ch)
- U0026(BACLA-0486, SR ch)
- U0027(BACLA-0487, C ch)
- U0028(BACLA-0488, RH ch, TX-NR1008/NA1008 only)

Circuit number is different, but as for the circuit being the same, there is compatibility. If you will exchange these pc board assembly, re-adjust the idling current.

- U0020(BACLA-0480, FL ch)
- U0021(BACLA-0481, SBL ch)
- U0022(BACLA-0482, SL ch)
- U0023(BACLA-0483, LH ch, TX-NR1008/NA1008 only)

IDLING CURRENT ADJUSTMENT

- Wait for 4 - 6 minutes after power on. (Heat running)
- Re-adjust the trimming resistors according to the following values.

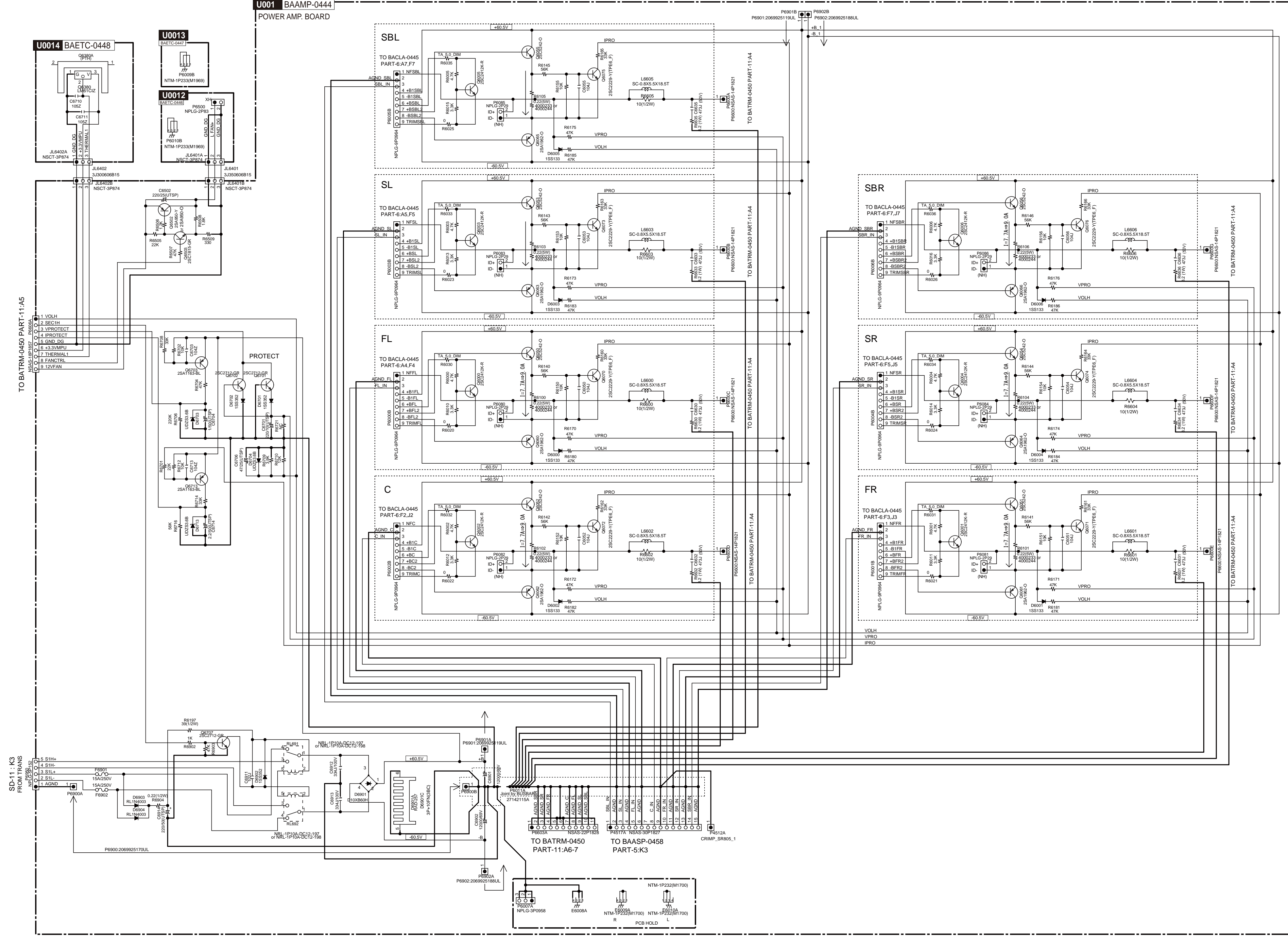
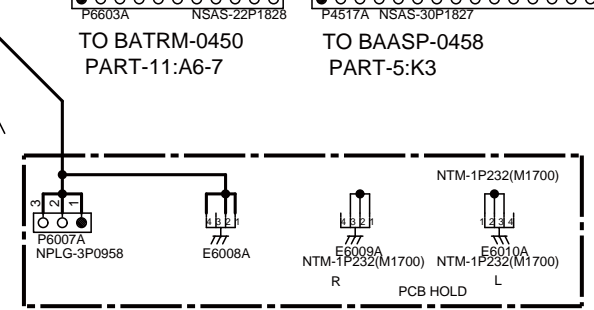
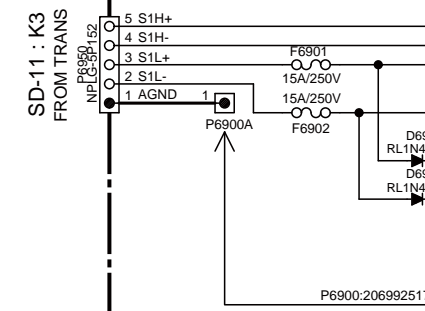
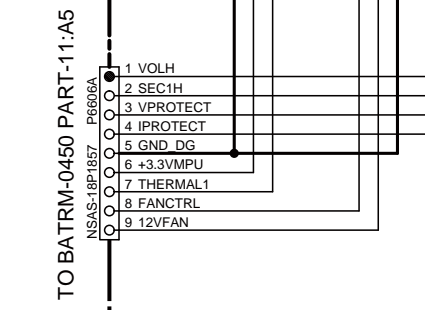
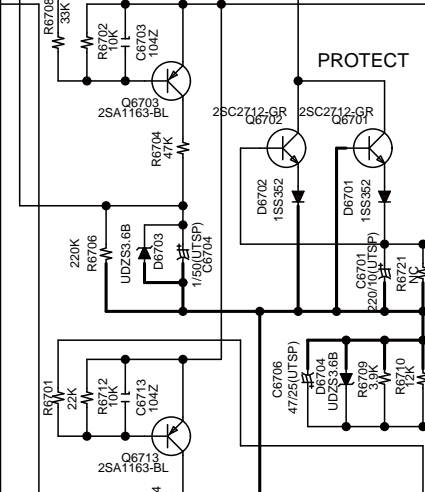
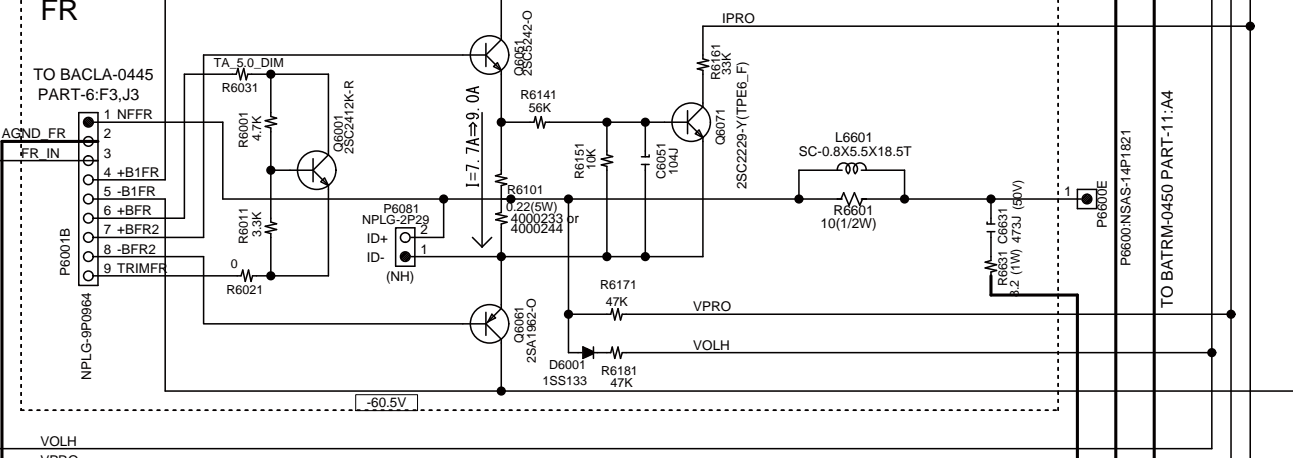
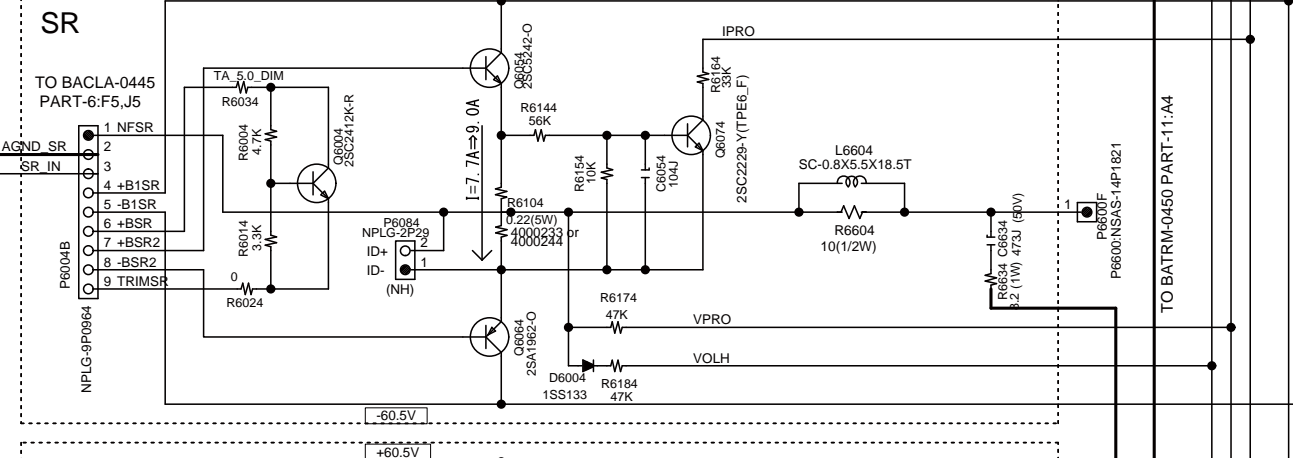
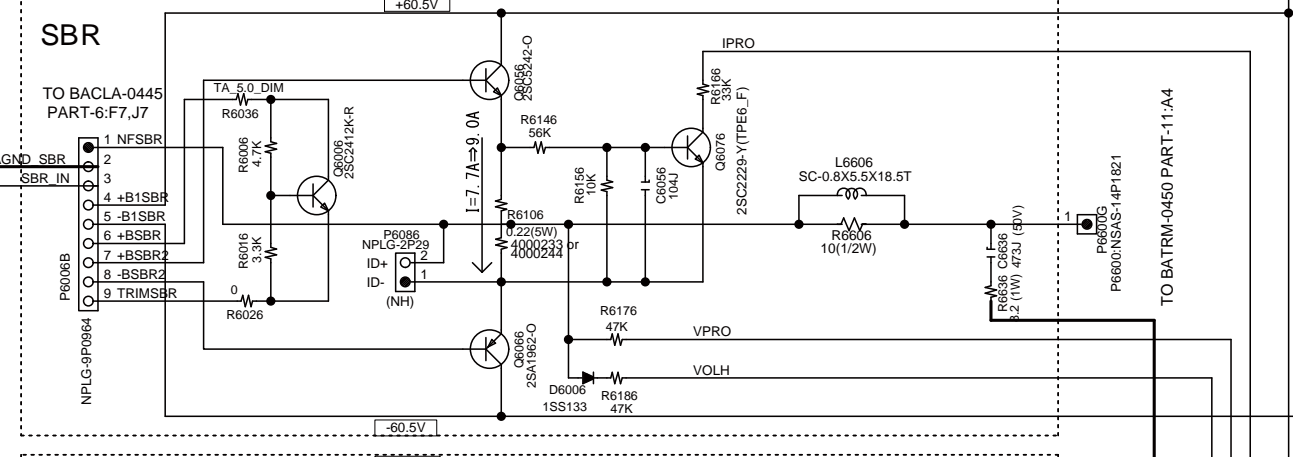
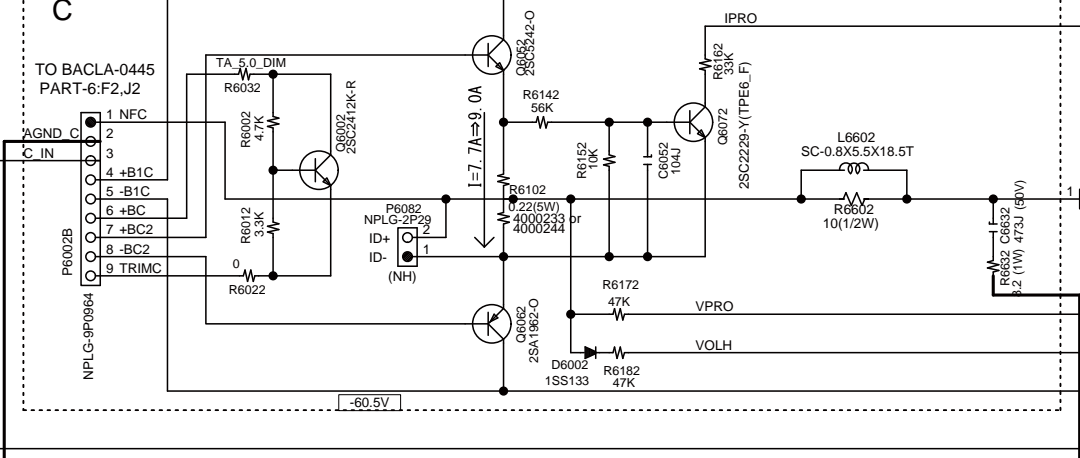
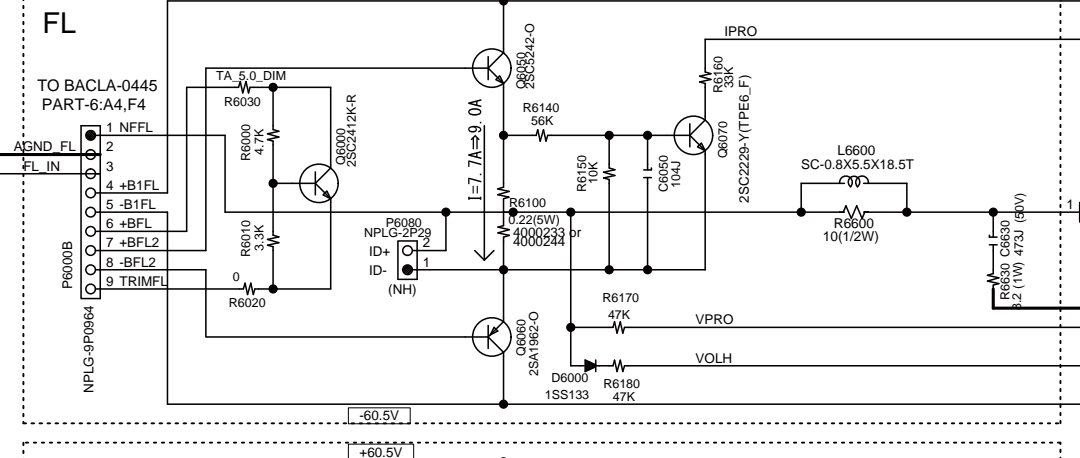
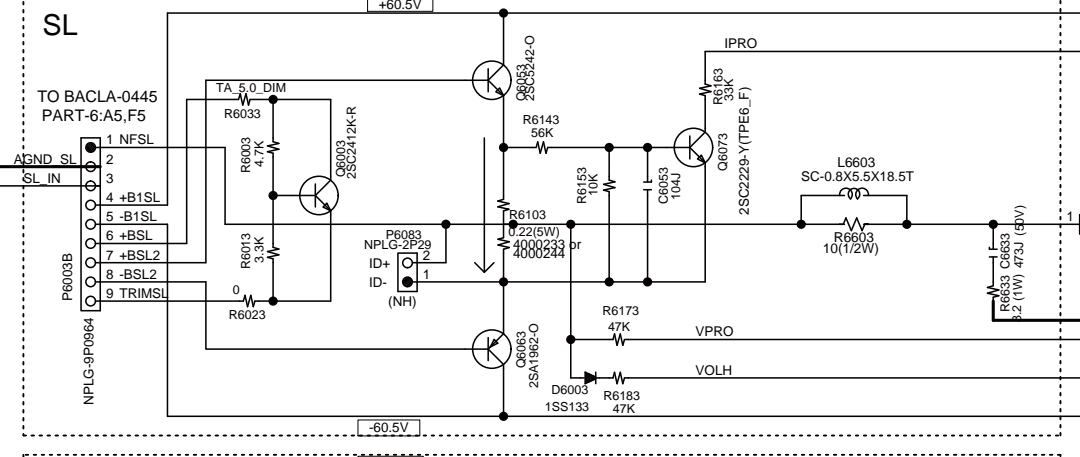
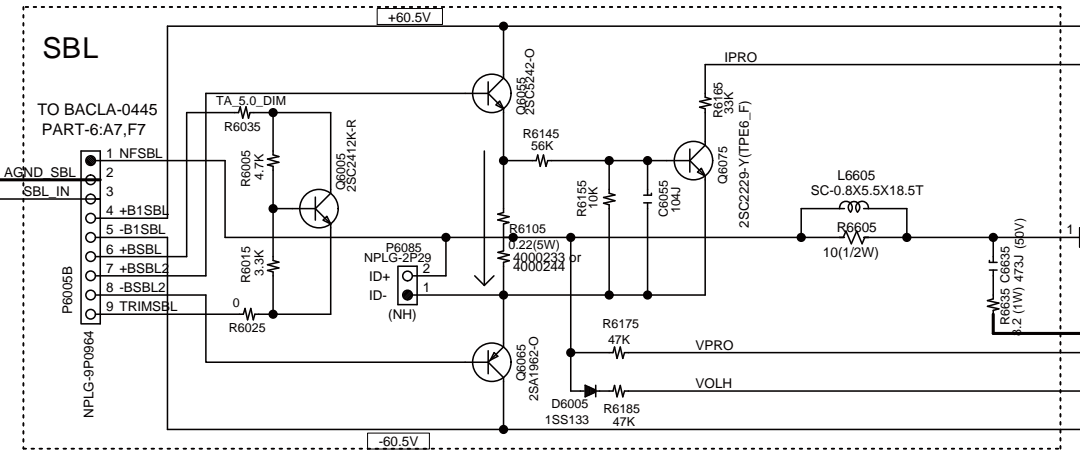
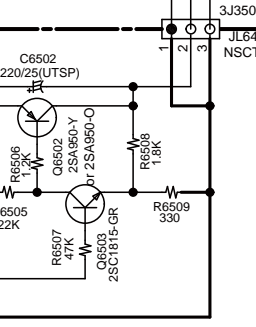
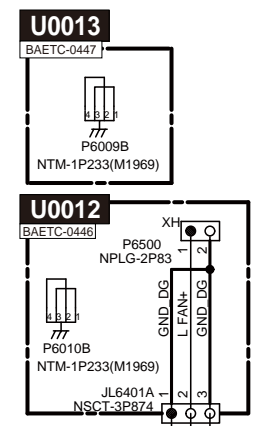
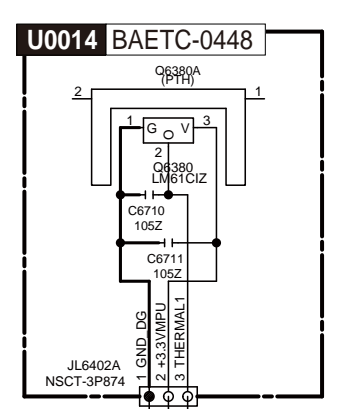
Adjustment point	Measured value	Re-adjustment value
R6040 - R6048	In case below 4 mV	4 mV
	In case 4 - 6 mV	No re-adjustment
	In case over 6mV	6 mV

- NOTE
- THE COMPONENTS IDENTIFIED BY MARK  $\Delta$  ARE CRITICAL FOR SAFETY. REPLACE ONLY WITH PART NUMBER SPECIFIED.
  - BOLD VOLTAGE MEASURED WITH VOLTMETER IS DC VOLTAGE (NO INPUT SIGNAL).
  - ALL PNP TRANSISTORS ARE EQUIVALENT TO 2SA1015-GR UNLESS OTHERWISE NOTED.
  - ALL NPN TRANSISTORS ARE EQUIVALENT TO 2SC1815-GR UNLESS OTHERWISE NOTED.
  - ALL DIODES ARE EQUIVALENT TO 1S5133 UNLESS OTHERWISE NOTED.
  - ELECTROLYTIC CAPACITORS (  $\text{---}$  ) ARE IN  $\mu$ FV.
  - ALL CAPACITORS ARE IN pF UNLESS OTHERWISE NOTED.
  - EX) 030-3pF, 330-330pF, 331-330pF, 333-0.033uF
  - ALL RESISTORS ARE IN OHMS 1/6 WATT UNLESS OTHERWISE NOTED.
  - THE THICK LINES ON PC BOARD ARE THE PRINTING SIDE OF THE PARTS.
  - EX)  $\text{---}$  PRINTING SIDE
  - "NM" AND "NC" ARE SHORT FOR "NOT MOUNTED" AND "NOT CONNECTED", WHICH MEANS NO PART IS MOUNTED ON WIRING PATTERN OF PCB.
  - CIRCUIT IS SUBJECT TO CHANGE FOR IMPROVEMENT.

SCHEMATIC DIAGRAMS - 8  
POWER AMP (FINAL STAGE) SECTION

NOTE:  
XY in "SCHEMATIC-a / PART-b:XY" indicates the target  
location of the plug or socket, X=A to E/H/K, Y=1 to 4/5/8.

U001 BAAMP-0444  
POWER AMP. BOARD



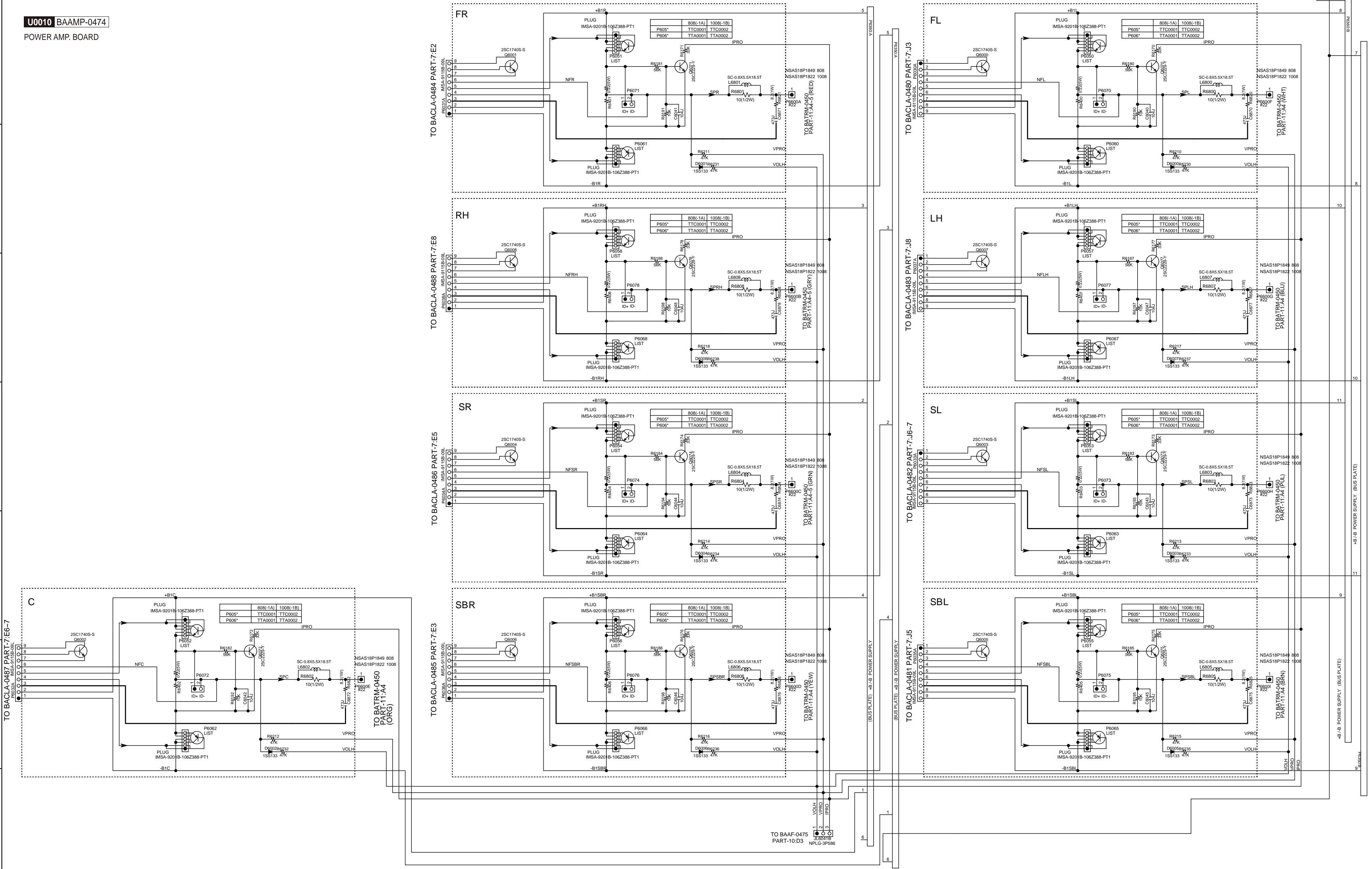
SCHEMATIC DIAGRAMS - 9  
POWER AMP (FINAL STAGE) SECTION

NOTE:  
XY in "SCHEMATIC-a / PART-b:XY" indicates the target  
location of the plug or socket, X=A to E/H/K, Y=1 to 4/5/8.

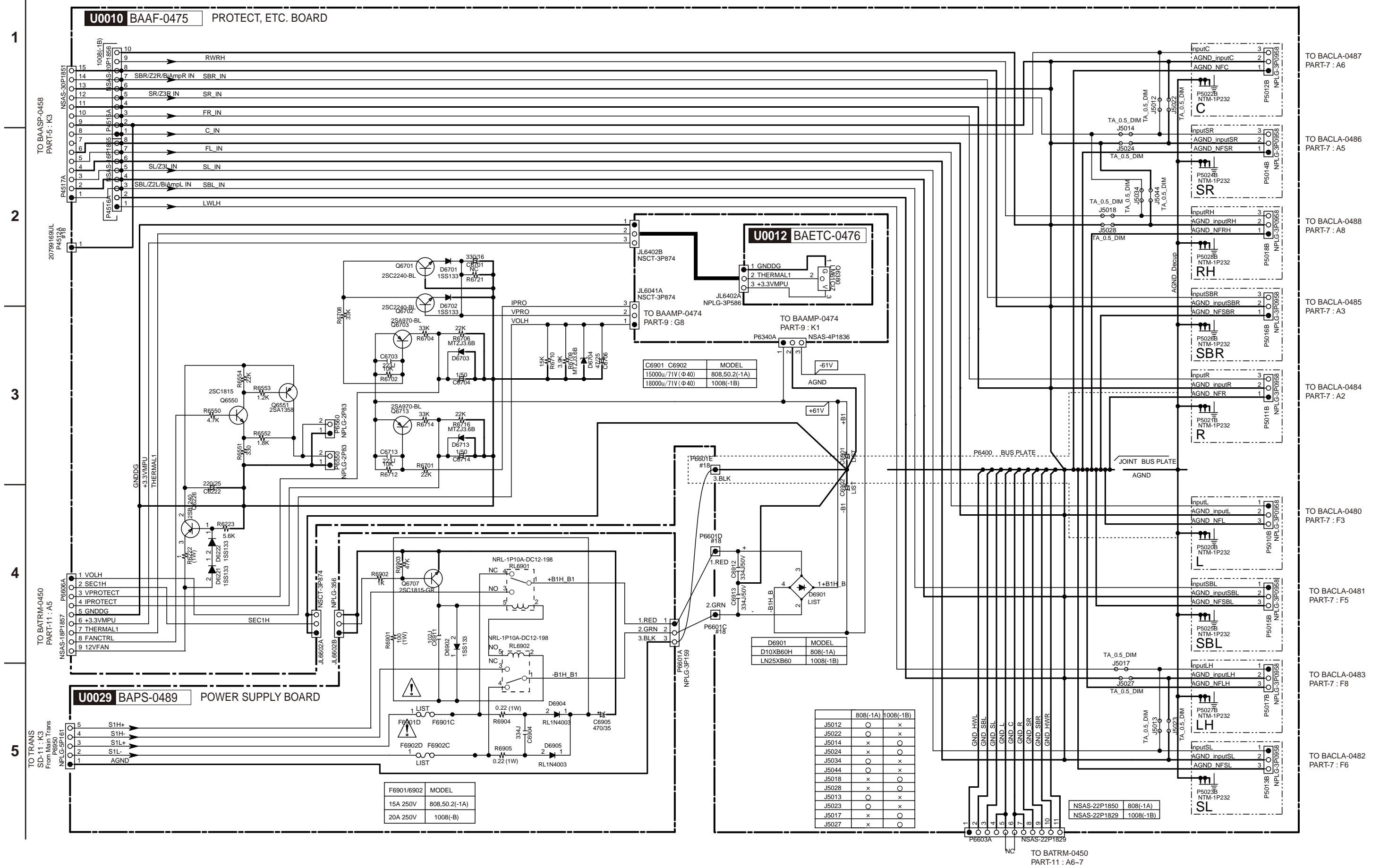
U0010 BAAMP-0474  
POWER AMP. BOARD

1  
2  
3  
4  
5  
6  
7  
8

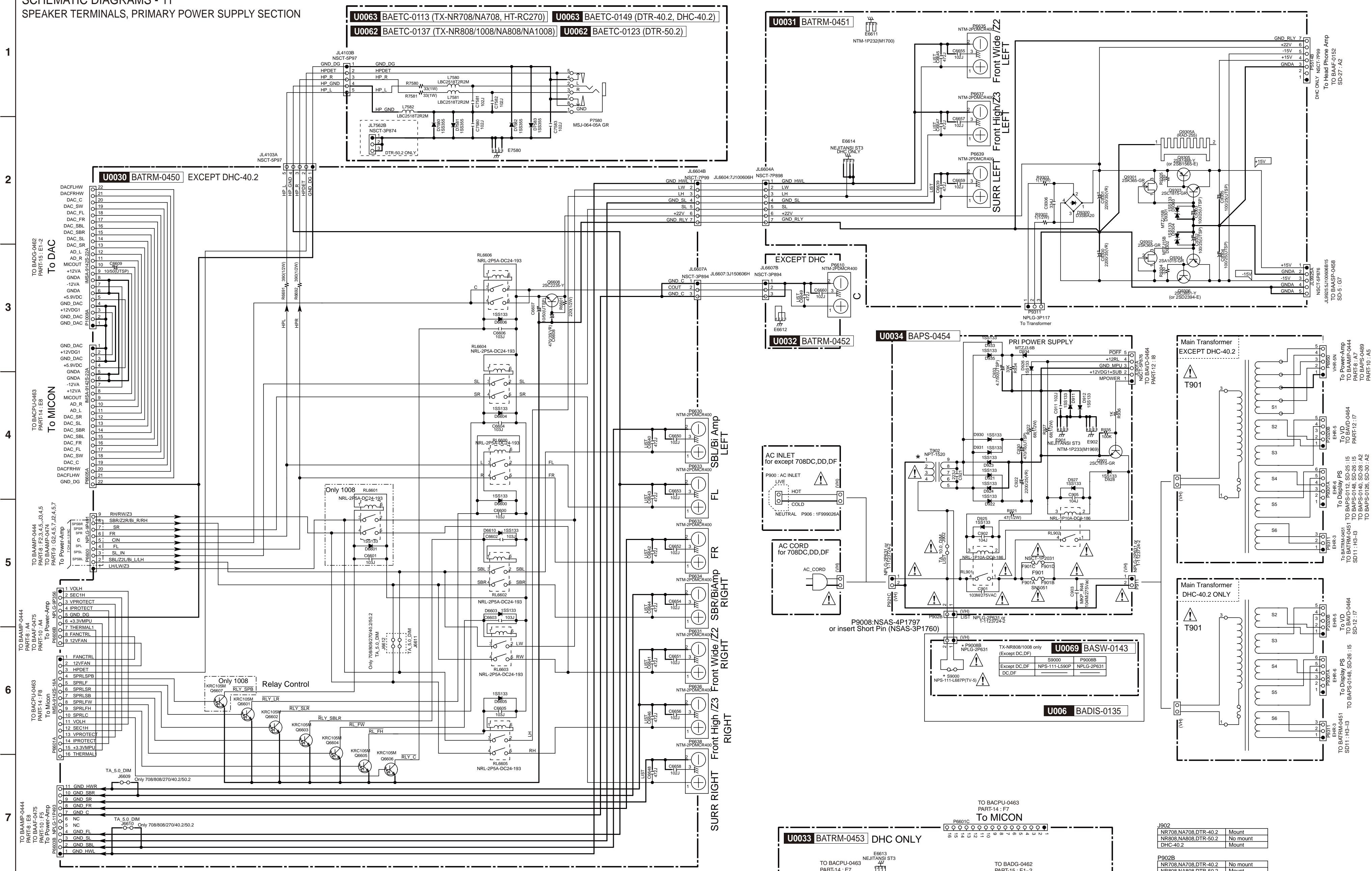
TO BAAF0475  
PART-10:E3  
P63408  
NPLG-3P581



**SCHEMATIC DIAGRAMS - 10**  
AMP (POWER SUPPLY, PROTECT, ETC.) SECTION



SCHEMATIC DIAGRAMS - 11  
SPEAKER TERMINALS, PRIMARY POWER SUPPLY SECTION



THE COMPONENTS IDENTIFIED BY MARK ARE CRITICAL FOR SAFETY. REPLACE ONLY WITH PART NUMBER SPECIFIED. \* VOLTAGE (MEASURED WITH MULTIMETER) IS DC VOLTAGE. (NO INPUT SIGNAL).

ELECTROLYTIC CAPACITORS ( ) ARE IN  $\mu F/V$ .

ALL CAPACITORS ARE IN  $\mu F/50V$  UNLESS OTHERWISE NOTED.  
EX: 010-30 $\mu F$  330-33 $\mu F$  331-330 $\mu F$  333-0.033  $\mu F$

CIRCUIT IS SUBJECT TO CHANGE FOR IMPROVEMENT.

**CAUTION**  
FOR CONTINUED PROTECTION AGAINST FIRE HAZARD, REPLACE ONLY WITH FUSE OF SAME TYPE AND RATING INDICATED.

**ATTENTION**  
AFIN D'ASSURER UNE PROTECTION PERMANENTE CONTRE LES RISQUES D'INCENDIE, REMPLACER UNIQUEMENT PAR UN FUSIBLE DE MEME TYPE ET CALIBRATION COMME INDIQUE.

TYPE	T7	A7	T8	A8	T10	A10	D4
D	NC	NC	NC	NC	NC	NC	NC
J	NC	NC	NC	NC	NC	NC	NC
M	472J	---	472J	---	472J	---	---

CODE	MODEL
T7	TX-NR-708, DTR-40.2, HT-RC270
A7	TX-NA708
T8	TX-NR808, DTR-50.2
A8	TX-NA808
T10	TX-NR1008
A10	TX-NA1008
D4	DHC-40.2

J902

NR708,NA708,DTR-40.2	Mount
NR808,NA808,DTR-50.2	No mount
DHC-40.2	Mount

P902B

NR708,NA708,DTR-40.2	No mount
NR808,NA808,DTR-50.2	Mount
DHC-40.2	No mount

F901

TYPE	T7	A7	T8 / T10	A8 / A10	D4
D	10A 125V	---	12A 125V	---	5A 125V
J	10A 125V	10A 125V	15A 125V	15A 125V	---
M	TSAL250V	---	T6,3AL250V	---	---

T901

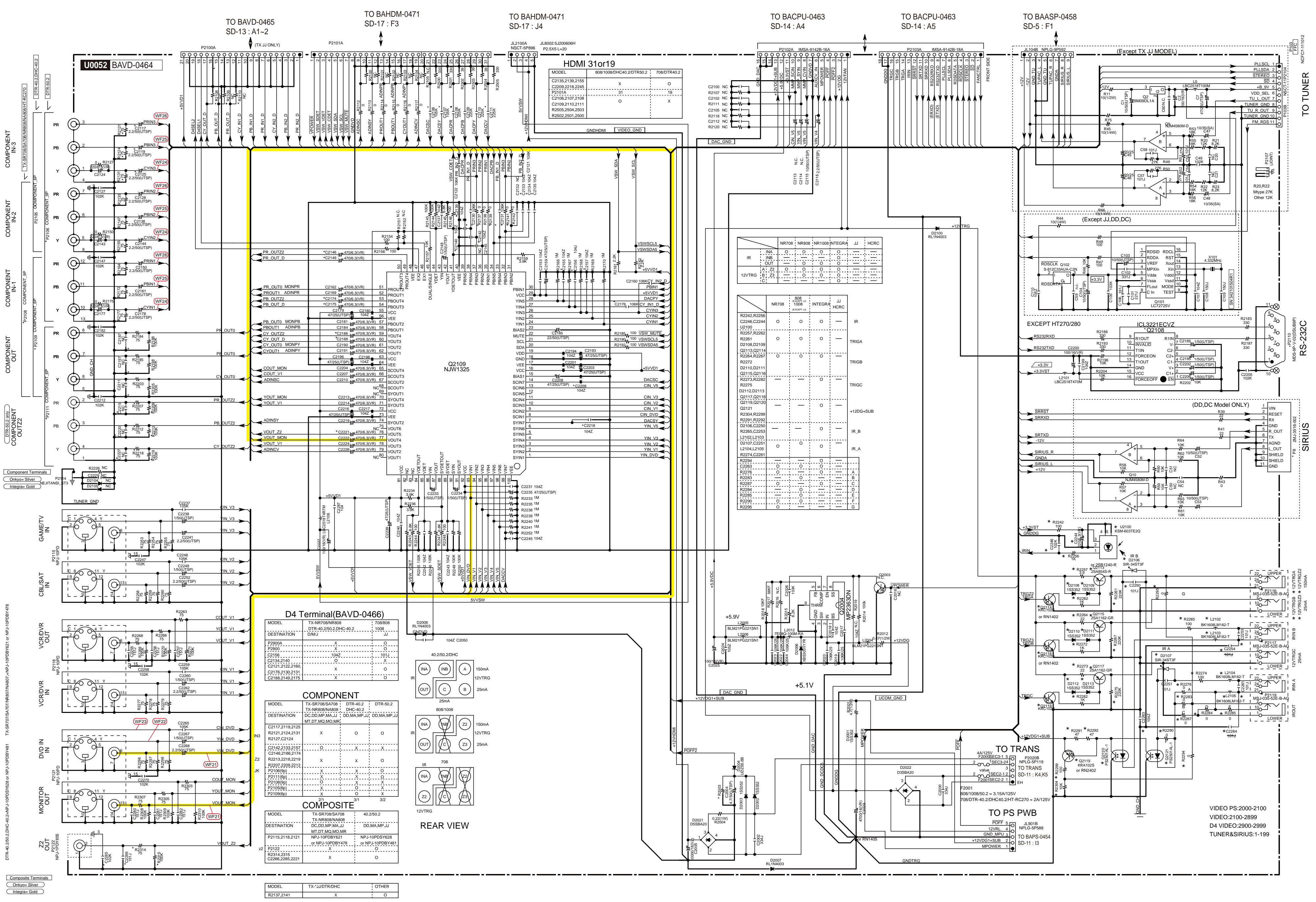
TYPE	T7	A7	T8 / T10	A8 / A10	D4
D	NPT-1594D	---	NPT-1593D	---	NPT-1595D
J	---	NPT-1594J	---	NPT-1593J	---
M	NPT-1594M	---	NPT-1593M	---	---

T902

TYPE	T7	A7	T8 / T10	A8 / A10	D4
D	NPT-1520JG	---	NPT-1520JG	---	NPT-1520JG
J	---	NPT-1520J	---	NPT-1520J	---
M	NPT-1520G	---	NPT-1520G	---	---

SCHEMATIC DIAGRAMS - 12  
ANALOG VIDEO, POWER SUPPLY SECTION

1  
2  
3  
4  
5  
6  
7  
8



Component Terminals

Onkyo Silver	□
Integrals Gold	○

Component Terminals

Onkyo Silver	□
Integrals Gold	○

Component Terminals

Onkyo Silver	□
Integrals Gold	○

D4 Terminal (BAVD-0466)

MODEL	TX-NR708/NR808	TX-NA708/NA808	708/808
DESTINATION	DTR-40.2/50.2/DHC-40.2	DHC-40.2	1008
DWJ			
P2809A	X	O	O
P2809B	X	O	O
C2196	104Z		
C2194,2195	X	O	O
C2192,2193,2197	X	O	O
C2191,2192,2194	X	O	O
C2176,2190,2131	X	O	O
C2188,2149,2175	X	O	O

COMPONENT

MODEL	TX-SR708/SA708	DTR-40.2	DTR-50.2
DESTINATION	TX-NR808/NA808	DHC-40.2	DHC-40.2
MT DT.MC.MO.NR	DD.MA.MP.JJ	DD.MA.MP.JJ	DD.MA.MP.JJ
C2117,2119,2125	X	O	O
R2121,2124,2131	X	O	O
R2127,C2124	X	O	O
C2142,2133,2197	X	O	O
C2146,2182,2174	X	O	O
R2213,2218,2219	X	O	O
R2207,2209,2212	X	O	O
P2109(9)	X	O	O
P2111(9)	X	O	O
P2108(9)	X	O	O
P2105(9)	X	O	O
P2109(9)	X	O	O

COMPOSITE

MODEL	TX-SR708/SA708	40.2/50.2
DESTINATION	TX-NR808/NA808	DD.MA.MP.JJ
MT DT.MC.MO.NR	DD.MA.MP.JJ	DD.MA.MP.JJ
P2115,2118,2121	X	O
D2122	X	O
R2314,2315	X	O
C2286,2285,2221	X	O

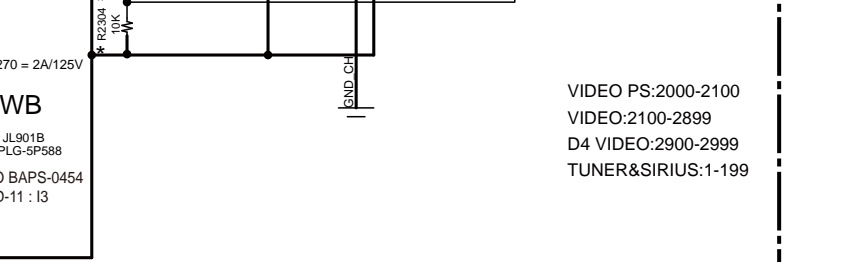
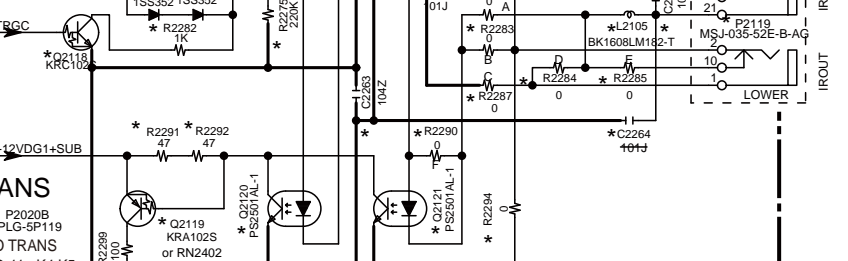
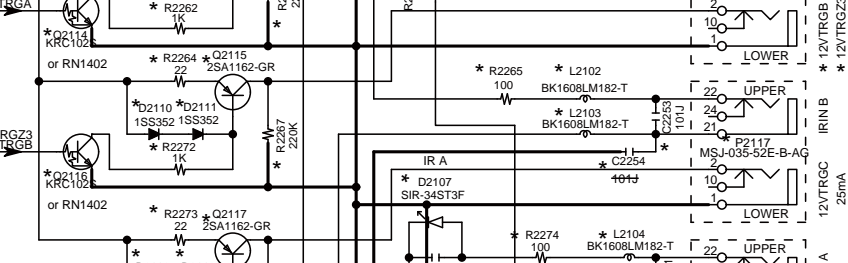
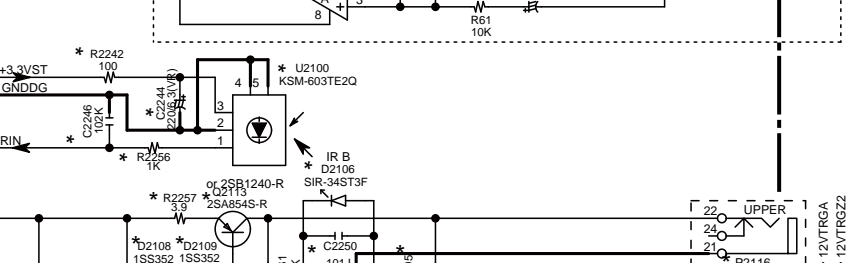
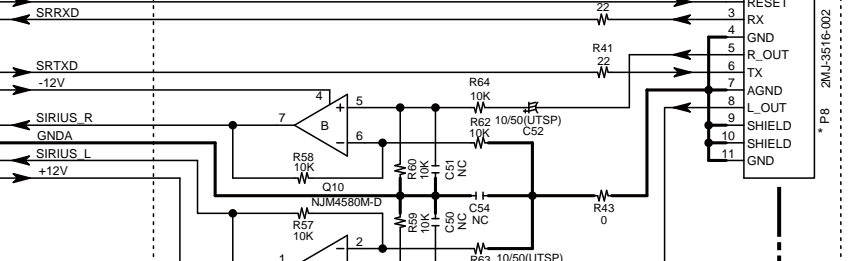
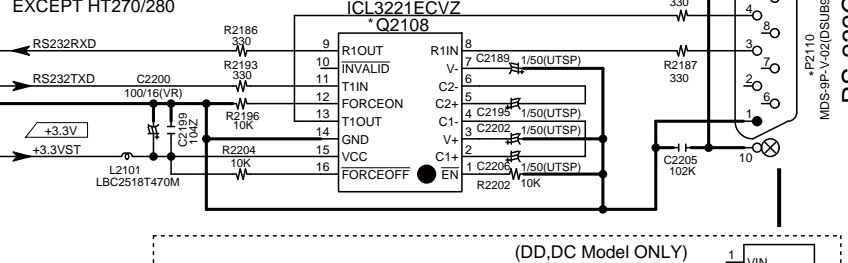
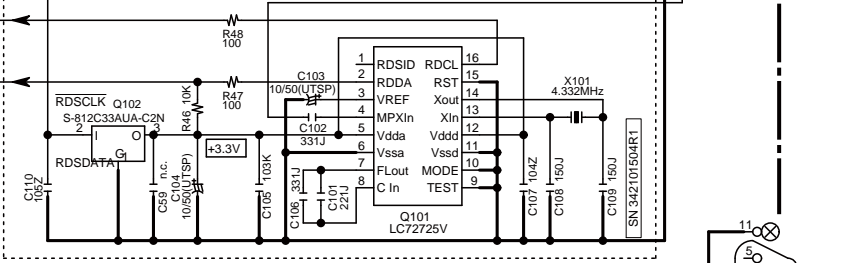
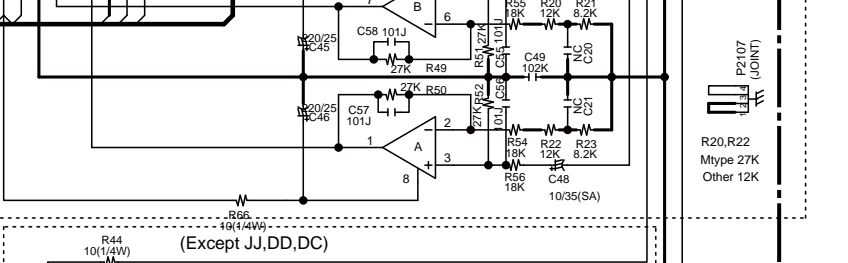
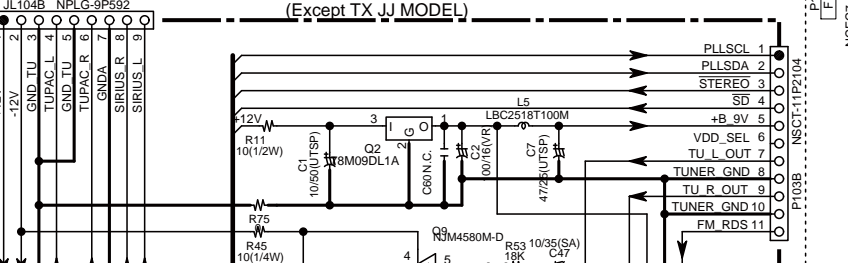
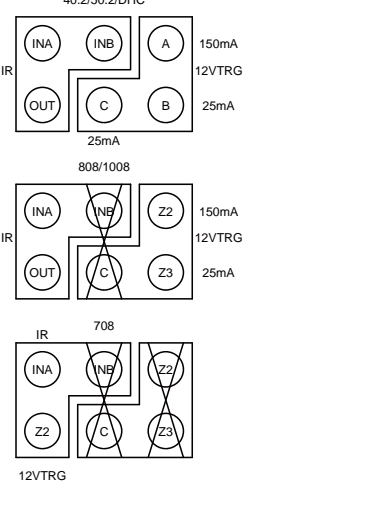
MODEL TX-JJDR/DHC OTHER

R2137,2141	X	O
------------	---	---

HDMI 31or19

MODEL	808/1008/DHC40.2/DTR50.2	708/DTR40.2
C2135,2139,2155	X	O
C2209,2218,2245	X	O
P2101A	X	O
C2106,2107,2102	X	O
C2109,2110,2111	X	O
R2505,2504,2503	X	O
R2502,2501,2500	X	O

NR708	808	1008	INTEGRA	JJ	HRCR
R2242,R2256	O	O	O	O	O
C2246,C2244	O	O	O	O	O
L2100	O	O	O	O	O
R2227,R2262	O	O	O	O	O
R2261	O	O	O	O	O
D2108,D2109	O	O	O	O	O
C2113,Q2114	O	O	O	O	O
R2254,R2267	O	O	O	O	O
R2272	O	O	O	O	O
D2110,D2111	O	O	O	O	O
C2115,Q2116	O	O	O	O	O
R2273,R2282	O	O	O	O	O
R2275	O	O	O	O	O
D2113,D2115	O	O	O	O	O
Q2117,Q2118	O	O	O	O	O
Q2121,Q2120	O	O	O	O	O
Q2121	O	O	O	O	O
R2284,R2299	O	O	O	O	O
R2291,R2292	O	O	O	O	O
D2106,C2250	O	O	O	O	O
R2265,C2253	O	O	O	O	O
D2103,D2105	O	O	O	O	O
D2107,C2251	O	O	O	O	O
L2104,L2105	O	O	O	O	O
R2274,C2281	O	O	O	O	O



TO TUNER

RS-232C

SIRIUS

TO TRANS

TO PS PWB

TO BAPS-0454 SD-11: I3

VIDEO PS:2000-2100  
VIDEO:2100-2899  
D4 VIDEO:2900-2999  
TUNER&SIRIUS:1-199

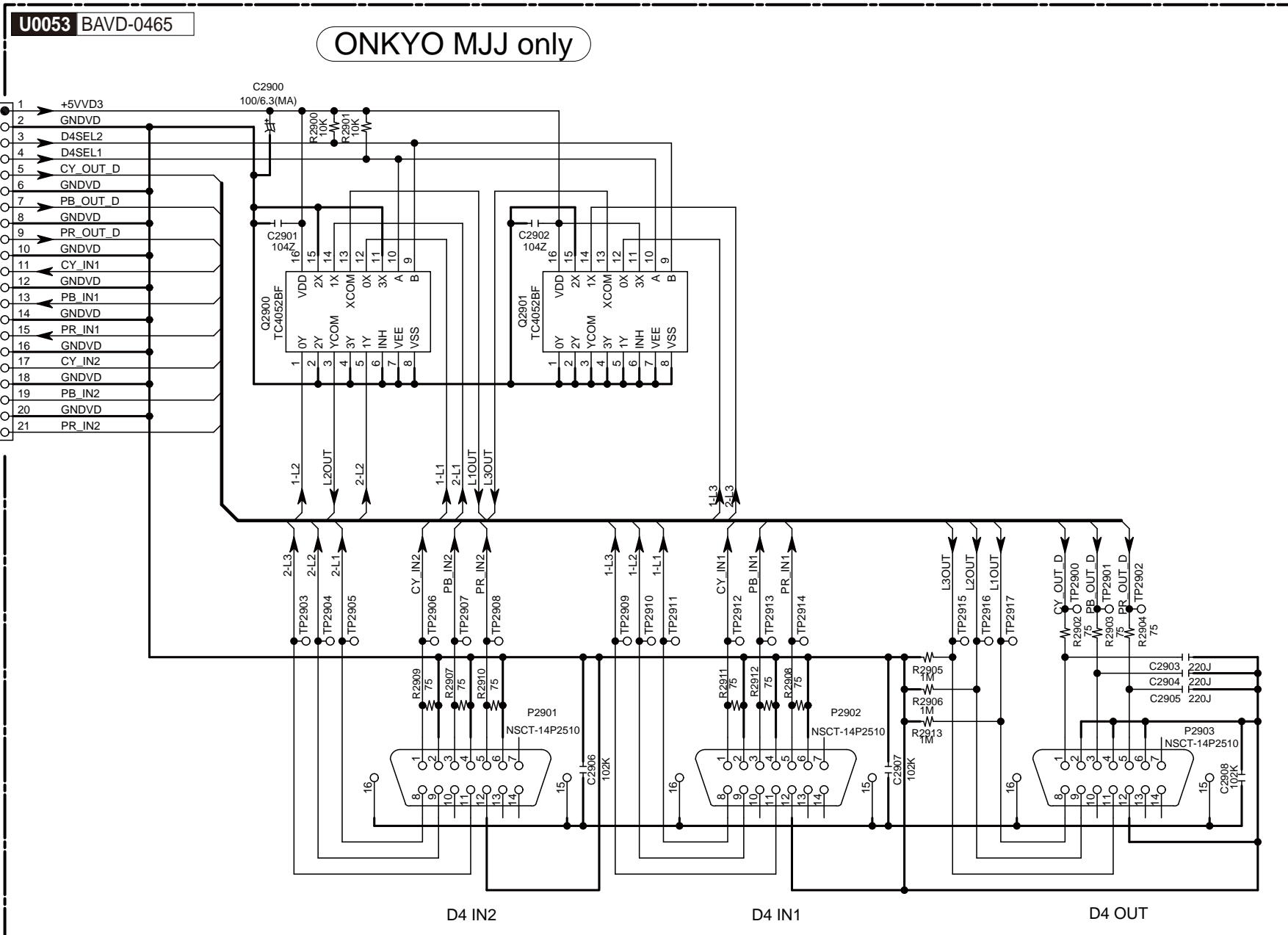
SCHEMATIC DIAGRAMS - 13  
D TERMINALS SECTION

1

2

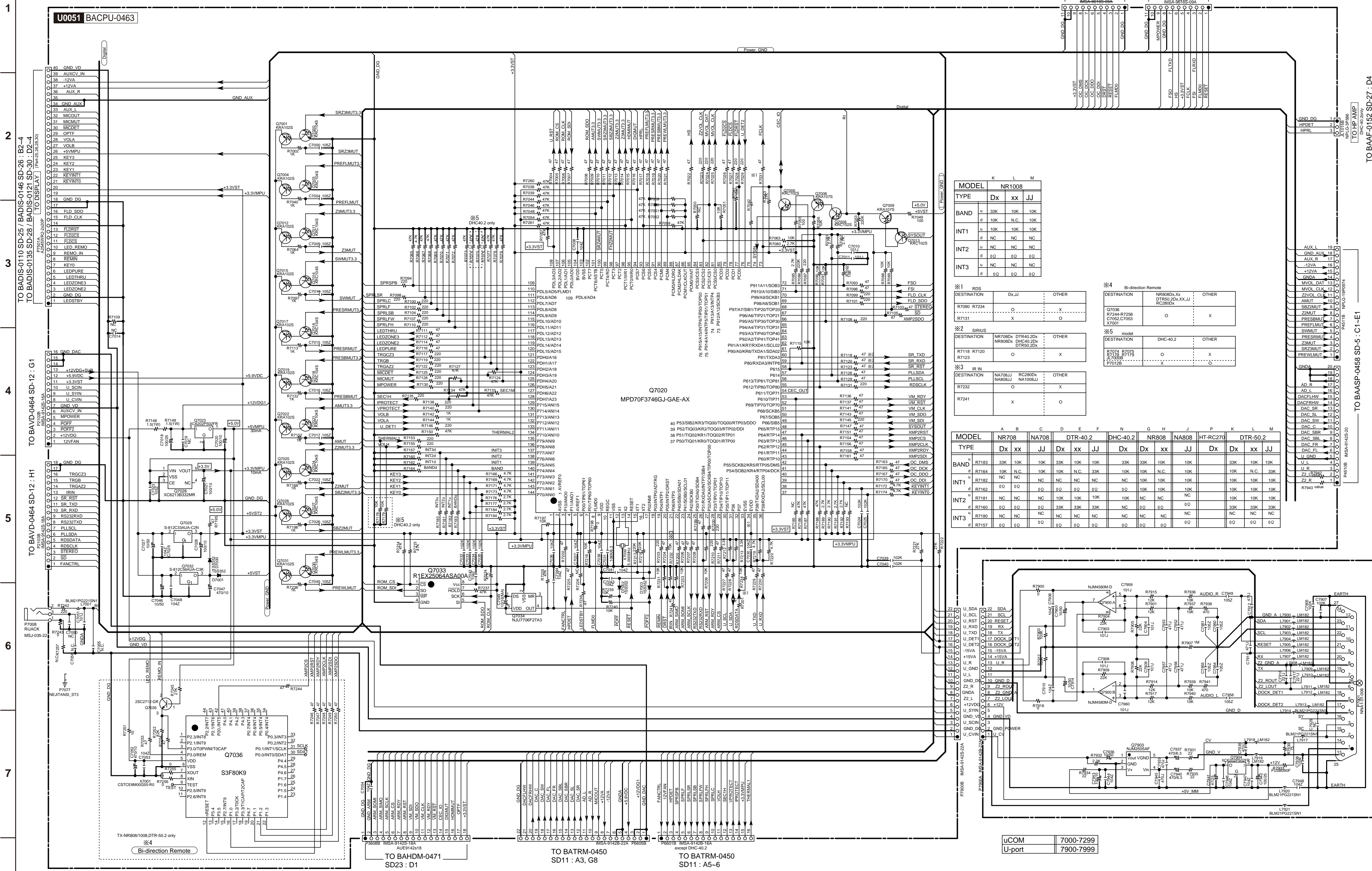
3

4





SCHEMATIC DIAGRAMS - 14  
MAIN MICROPROCESSOR SECTION



MODEL	K	L	M	
TYPE	Dx	xx	JJ	
BAND	v	33K	10K	10K
INT1	d	10K	N.C.	10K
INT2	d	10K	10K	10K
INT3	d	10K	N.C.	10K

※1 ROS

DESTINATION	Dx,JJ	OTHER
R7090 R7234	O	X
R7131	X	O

※2 SIRIUS

DESTINATION	NR708x DTR40.2Dx	OTHER
R7118 R7120	O	X
R7123	X	O

※3 IN IN

DESTINATION	NA708J	RC280Dx	OTHER
R7232	O	X	O
R7241	X	O	O

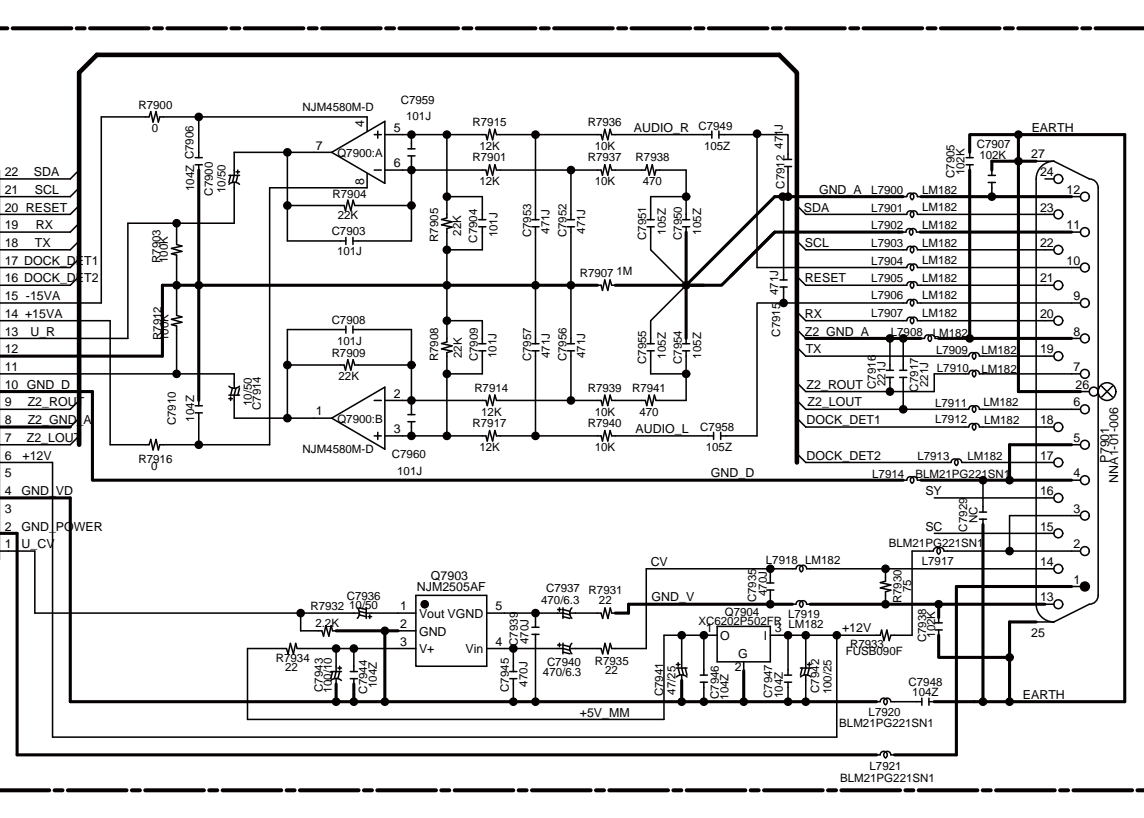
※4 Bi-direction Remote

DESTINATION	NR808Dx,xx	DTR50.2Dx,xx,JJ	OTHER
Q7036	O	X	O
R7244-R7256	O	X	O
C7062-C7063	O	X	O
X7001	O	X	O

※5 model

DESTINATION	DHC-40.2	OTHER
R7074 R7075	O	X
R7076	X	O
P70126	X	O

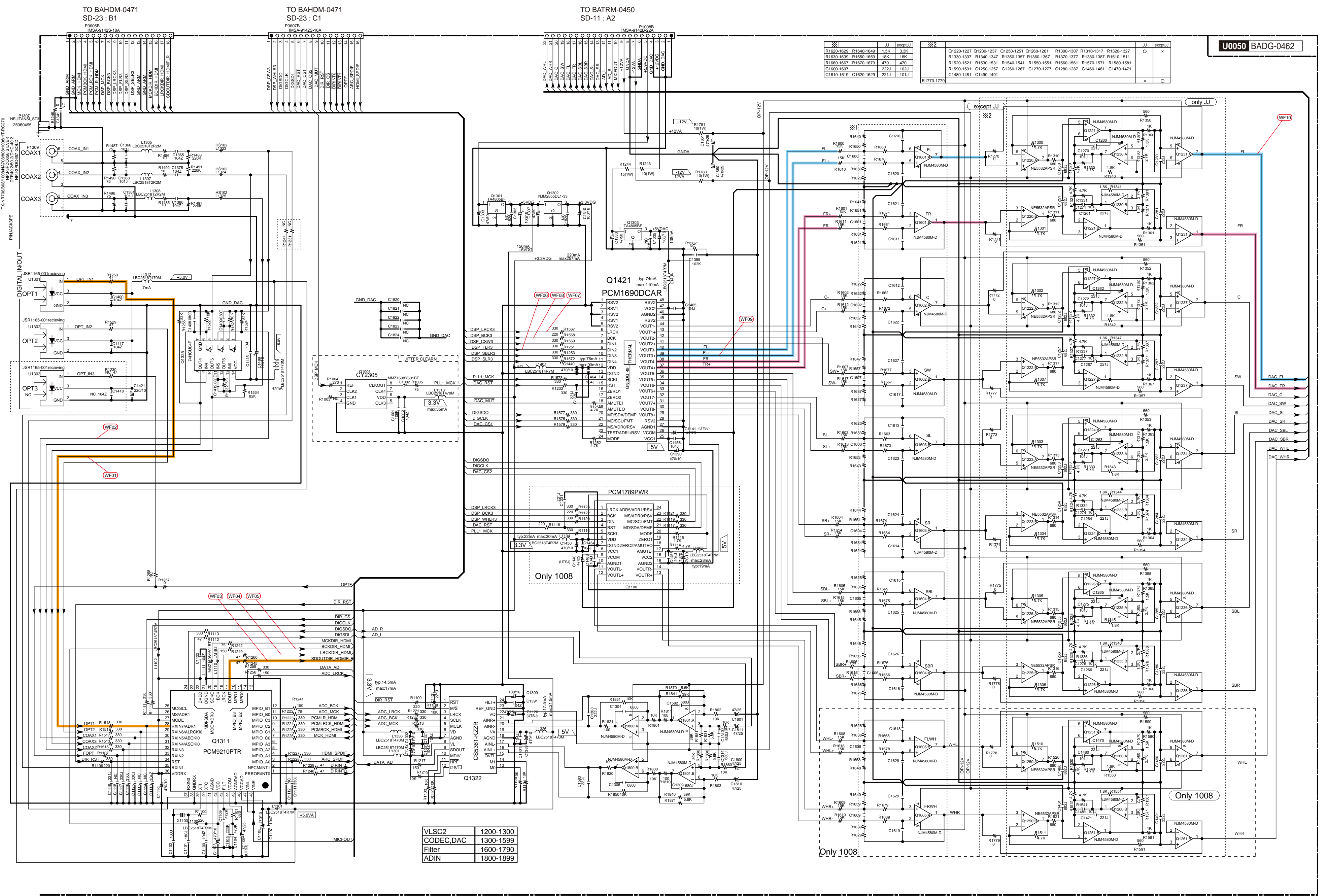
MODEL	NR708	NA708	DTR-40.2	DHC-40.2	NR808	NA808	HT-RC270	DTR-50.2			
TYPE	Dx	xx	JJ	Dx	xx	JJ	Dx	Dx			
BAND	R7183	33K	10K	10K	33K	10K	10K	33K	33K	10K	10K
R7184	10K	N.C.	10K	10K	N.C.	33K	10K	10K	N.C.	10K	33K
R7182	N.C.	N.C.	N.C.	N.C.	N.C.	N.C.	10K	10K	10K	10K	10K
INT1	R7162	0.0	0.0	0.0	0.0	0.0	0.0	0.0	0.0	10K	10K
R7181	N.C.	N.C.	N.C.	10K	10K	10K	10K	N.C.	N.C.	N.C.	N.C.
INT2	R7160	0.0	0.0	0.0	33K	33K	33K	N.C.	0.0	0.0	33K
R7180	N.C.	N.C.	N.C.	N.C.	N.C.	N.C.	N.C.	N.C.	N.C.	N.C.	N.C.
INT3	R7157	0.0	0.0	0.0	0.0	0.0	0.0	0.0	0.0	0.0	0.0



uCOM	7000-7299
U-port	7900-7999

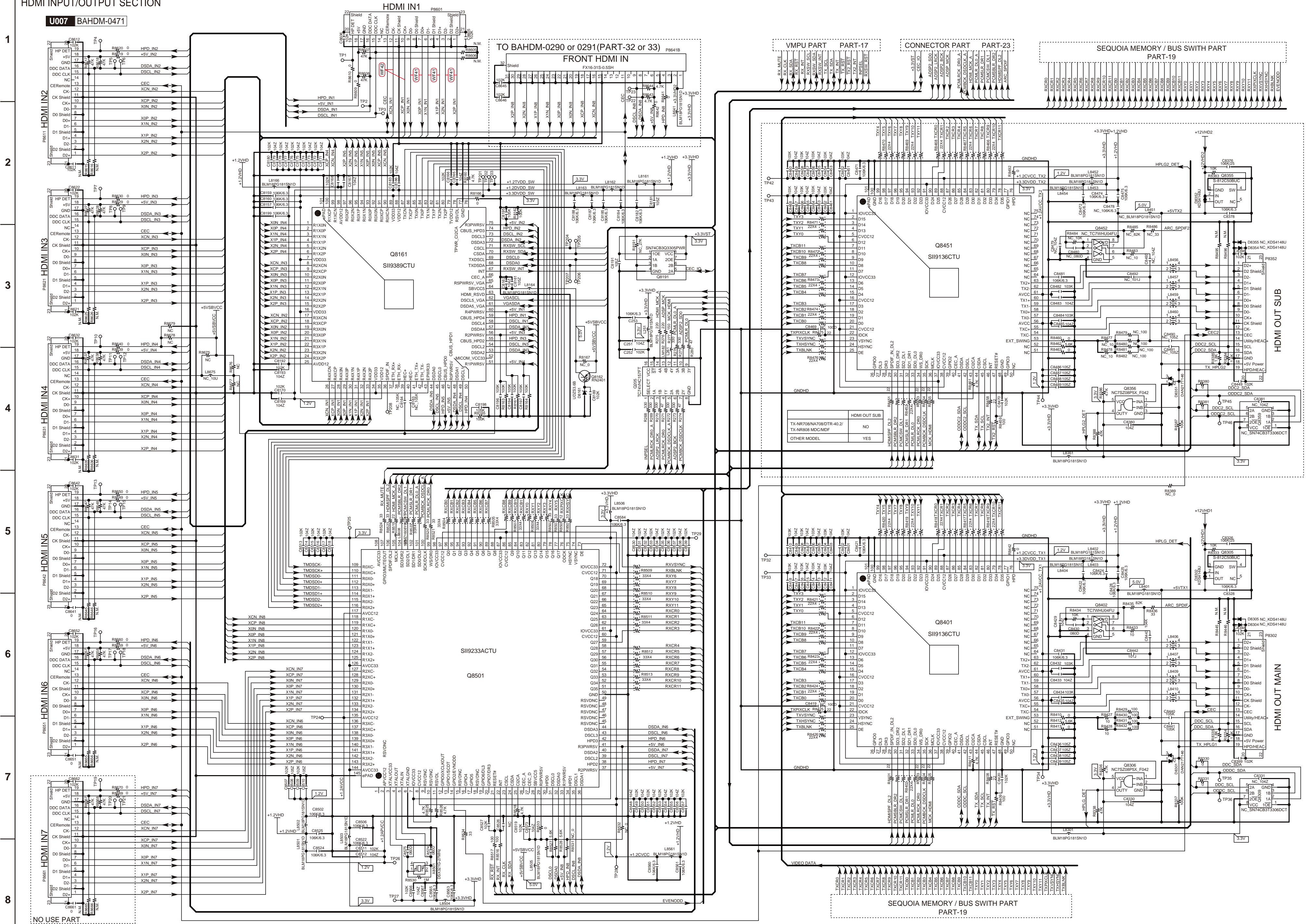
SCHEMATIC DIAGRAMS - 15  
DAC/DIR/ADC/VLSC2 SECTION

1  
2  
3  
4  
5  
6  
7  
8



X1		X2	
R1600-1629	R1640-1649	Q1200-1227	Q1230-1237
R1630-1639	R1650-1659	Q1260-1261	Q1290-1297
R1660-1667	R1670-1679	R1300-1307	R1310-1317
C1610-1619	C1620-1629	R1330-1337	R1340-1347
		R1350-1357	R1360-1367
		R1370-1377	R1380-1387
		R1390-1397	R1400-1407
		R1410-1417	R1420-1427
		R1430-1437	R1440-1447
		R1450-1457	R1460-1467
		R1470-1477	R1480-1487
		R1490-1497	R1500-1507
		R1510-1517	R1520-1527
		R1530-1537	R1540-1547
		R1550-1557	R1560-1567
		R1570-1577	R1580-1587
		R1590-1597	R1600-1607
		R1610-1617	R1620-1627
		R1630-1637	R1640-1647
		R1650-1657	R1660-1667
		R1670-1677	R1680-1687
		R1690-1697	R1700-1707
		R1710-1717	R1720-1727
		R1730-1737	R1740-1747
		R1750-1757	R1760-1767
		R1770-1777	R1780-1787
		R1790-1797	R1800-1807
		R1810-1817	R1820-1827
		R1830-1837	R1840-1847
		R1850-1857	R1860-1867
		R1870-1877	R1880-1887
		R1890-1897	R1900-1907
		R1910-1917	R1920-1927
		R1930-1937	R1940-1947
		R1950-1957	R1960-1967
		R1970-1977	R1980-1987
		R1990-1997	R2000-2007

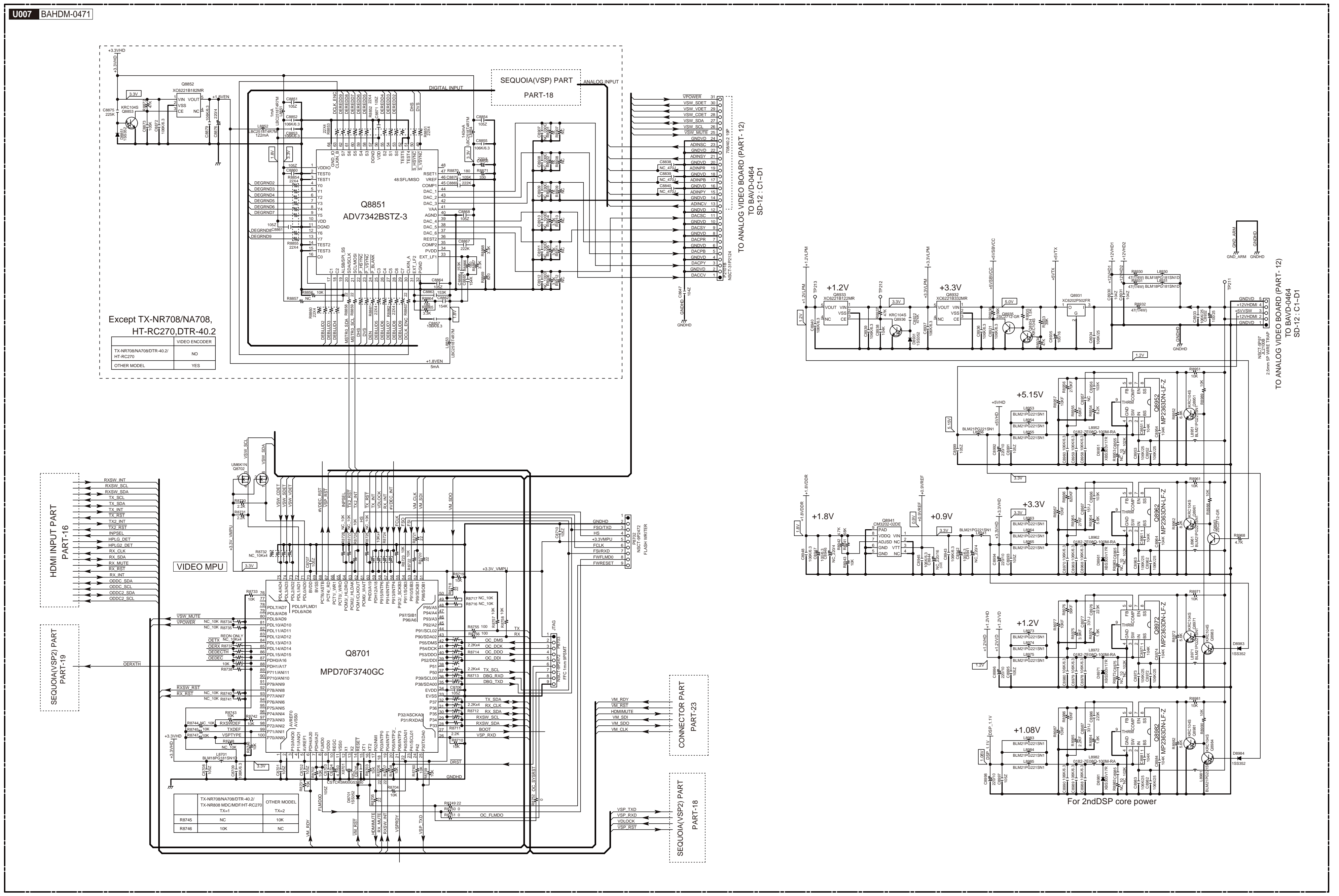
SCHEMATIC DIAGRAMS - 16  
HDMI INPUT/OUTPUT SECTION



NO USE PART

A B C D E F G H I J K  
SCHEMATIC DIAGRAMS - 17  
VMPU/ENCODER SECTION

1  
2  
3  
4  
5  
6  
7  
8



Except TX-NR708/NA708, HT-RC270, DTR-40.2

VIDEO ENCODER	
TX-NR708/NA708/DTR-40.2/HT-RC270	NO
OTHER MODEL	YES

	TX=1	TX=2
R8745	NC	10K
R8746	10K	NC

CONNECTOR PART  
PART-23

SEQUOIA(VSP) PART  
PART-18

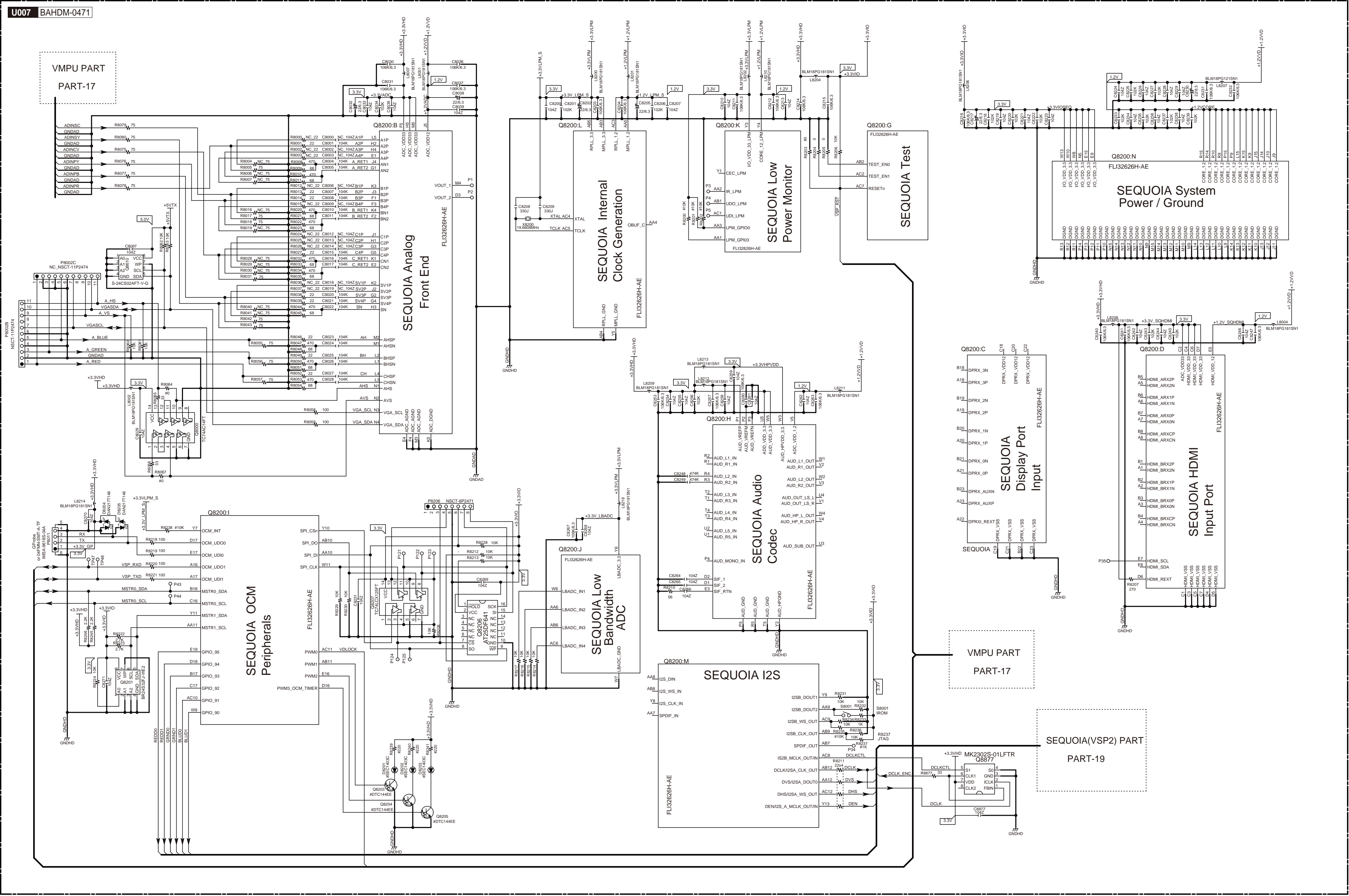
TO ANALOG VIDEO BOARD (PART-12)  
TO BAYD-0464  
SD-12 : C1-D1

TO ANALOG VIDEO BOARD (PART-12)  
TO BAYD-0464  
SD-12 : C1-D1

For 2ndDSP core power

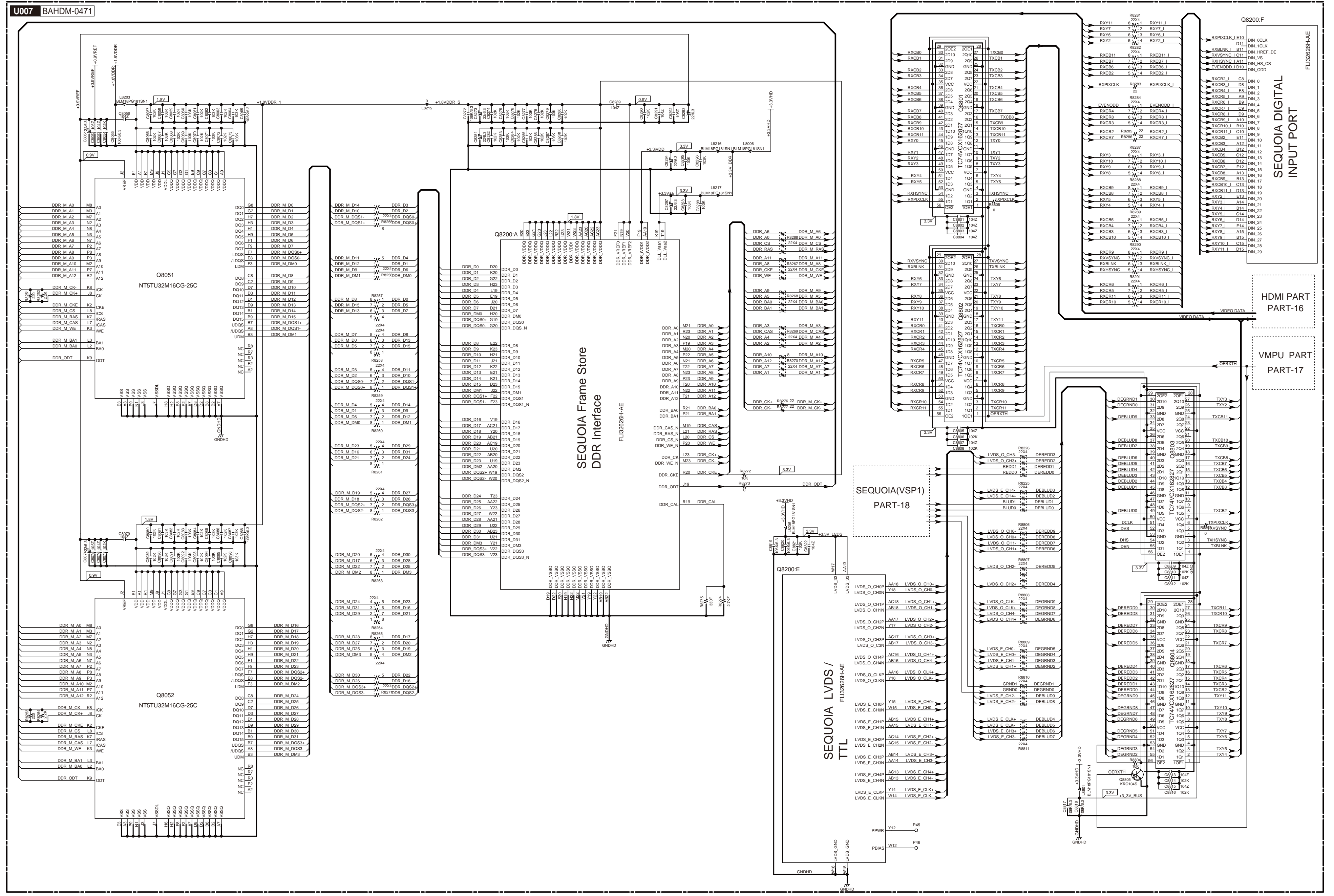
SCHEMATIC DIAGRAMS - 18  
VSP SECTION (PART 1/2)

1  
2  
3  
4  
5  
6  
7  
8



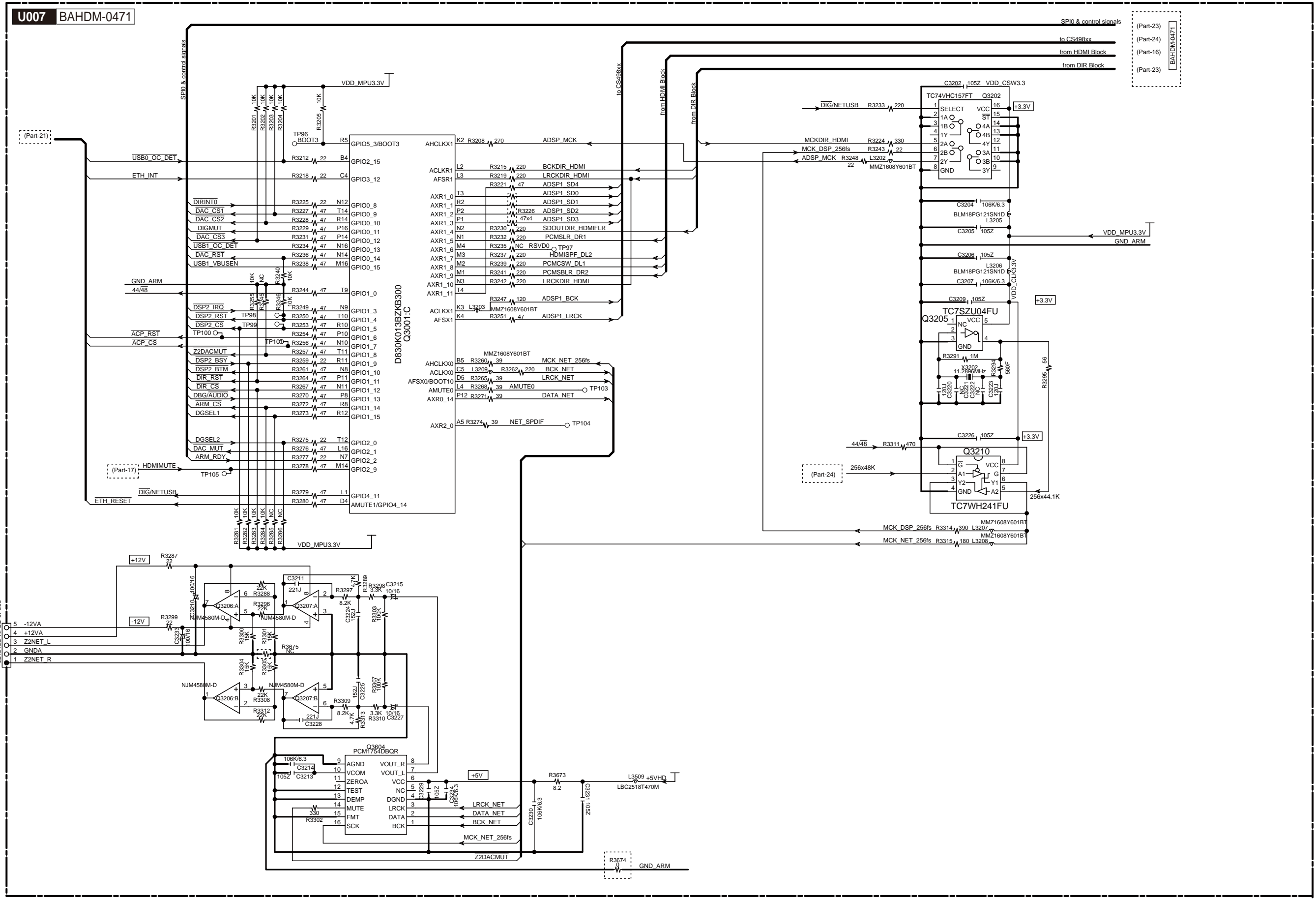
SCHEMATIC DIAGRAMS - 19  
VSP SECTION (PART 2/2)

1  
2  
3  
4  
5  
6  
7  
8



SCHEMATIC DIAGRAMS - 20  
DSP/AUDIO/GPIO SECTION

1  
2  
3  
4  
5

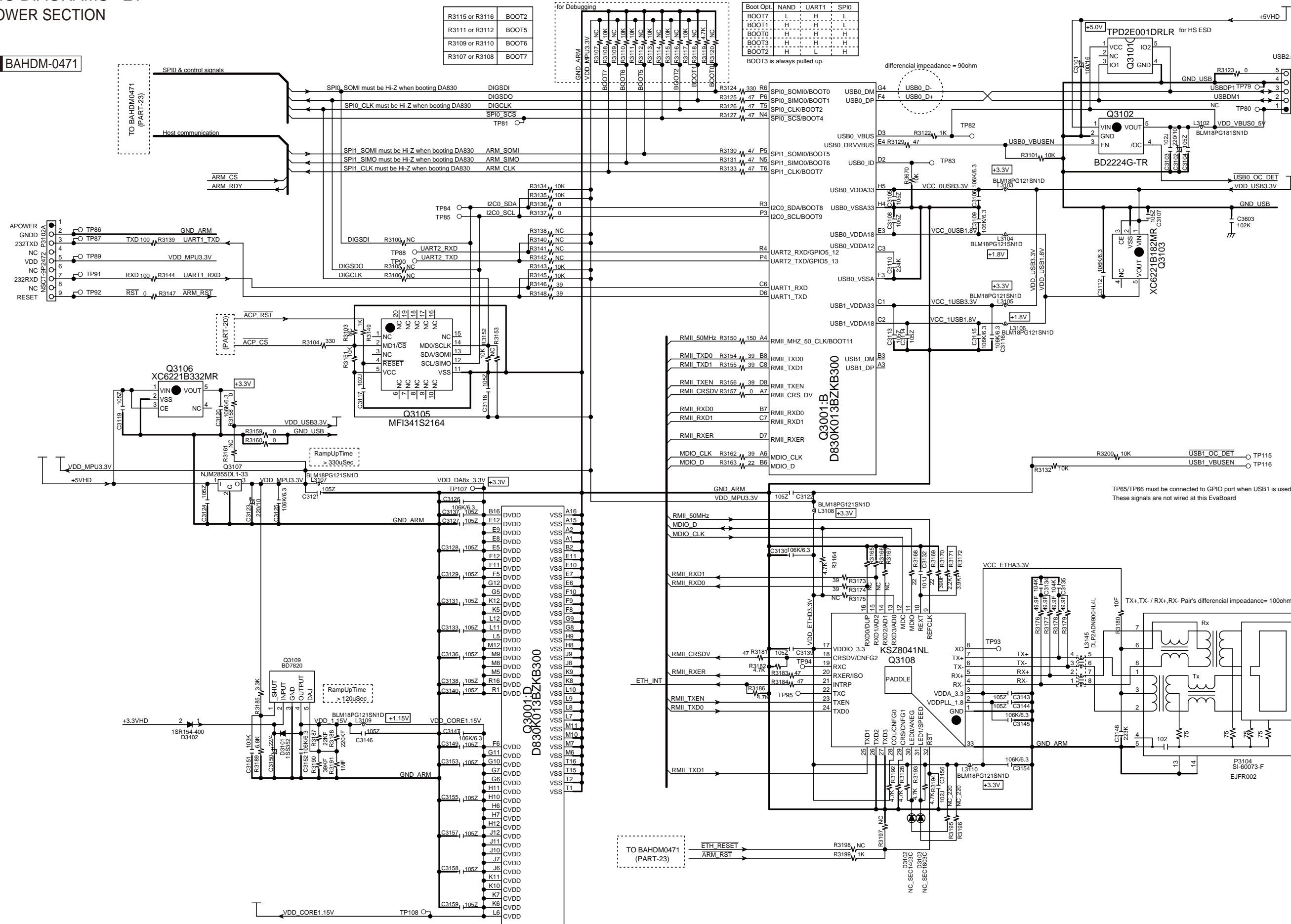


TO BAASP-0458  
SD-5 : E1-F1  
JUL45188 NPLG-9P588

SCHEMATIC DIAGRAMS - 21  
NET/USB POWER SECTION

1  
2  
3  
4  
5

U007 BAHDM-0471



R3115 or R3116	BOOT2
R3111 or R3112	BOOT5
R3109 or R3110	BOOT6
R3107 or R3108	BOOT7

Boot Opt.	NAND	UART1	SPI0
BOOT7	L	H	L
BOOT1	H	H	L
BOOT0	H	H	L
BOOT3	H	L	H
BOOT2	H	L	H

BOOT3 is always pulled up.

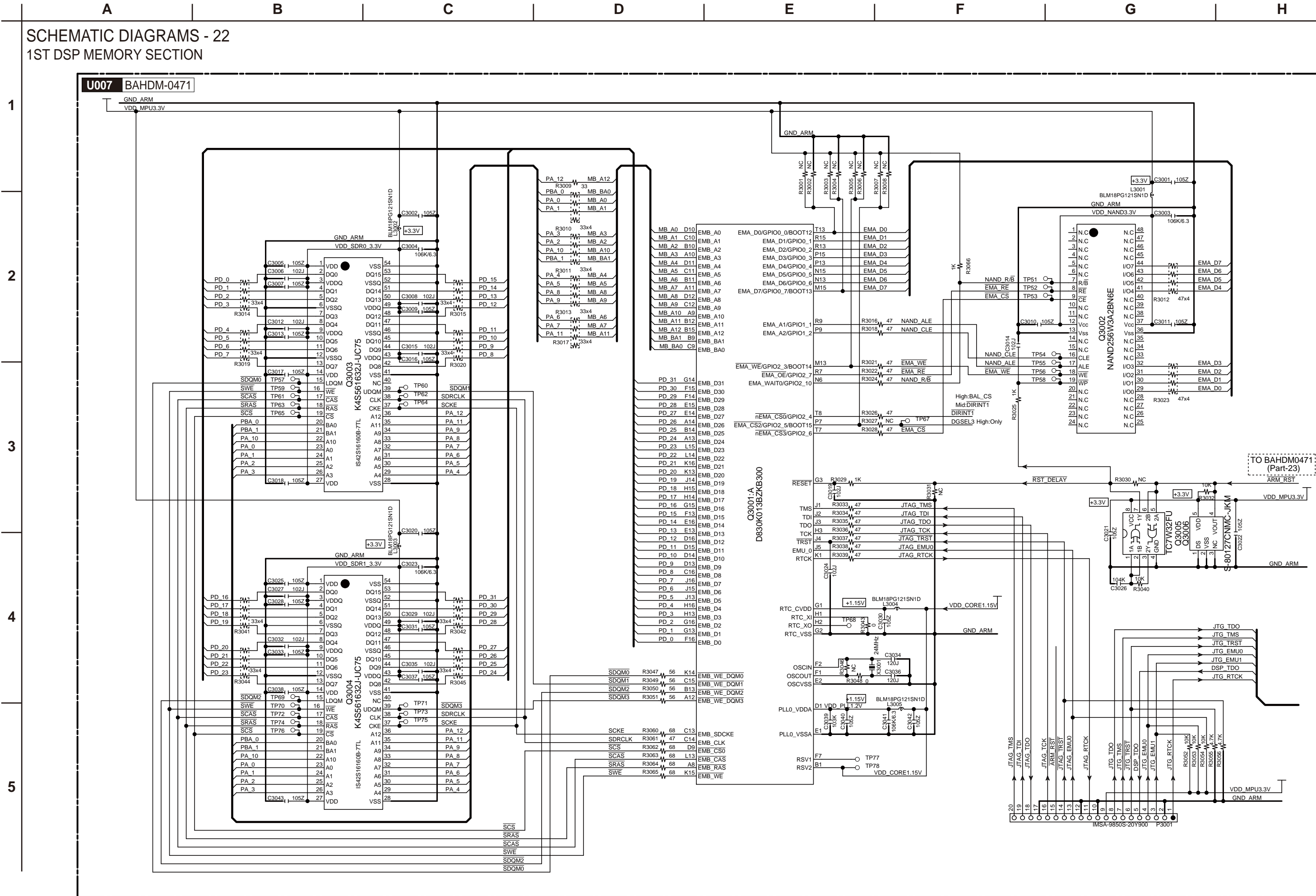
TO BAETC-0468  
SD-32 : B4  
TO BAETC-0469  
SD-32 : E4

TP65/TP66 must be connected to GPIO port when USB1 is used.  
These signals are not wired at this EvaBoard

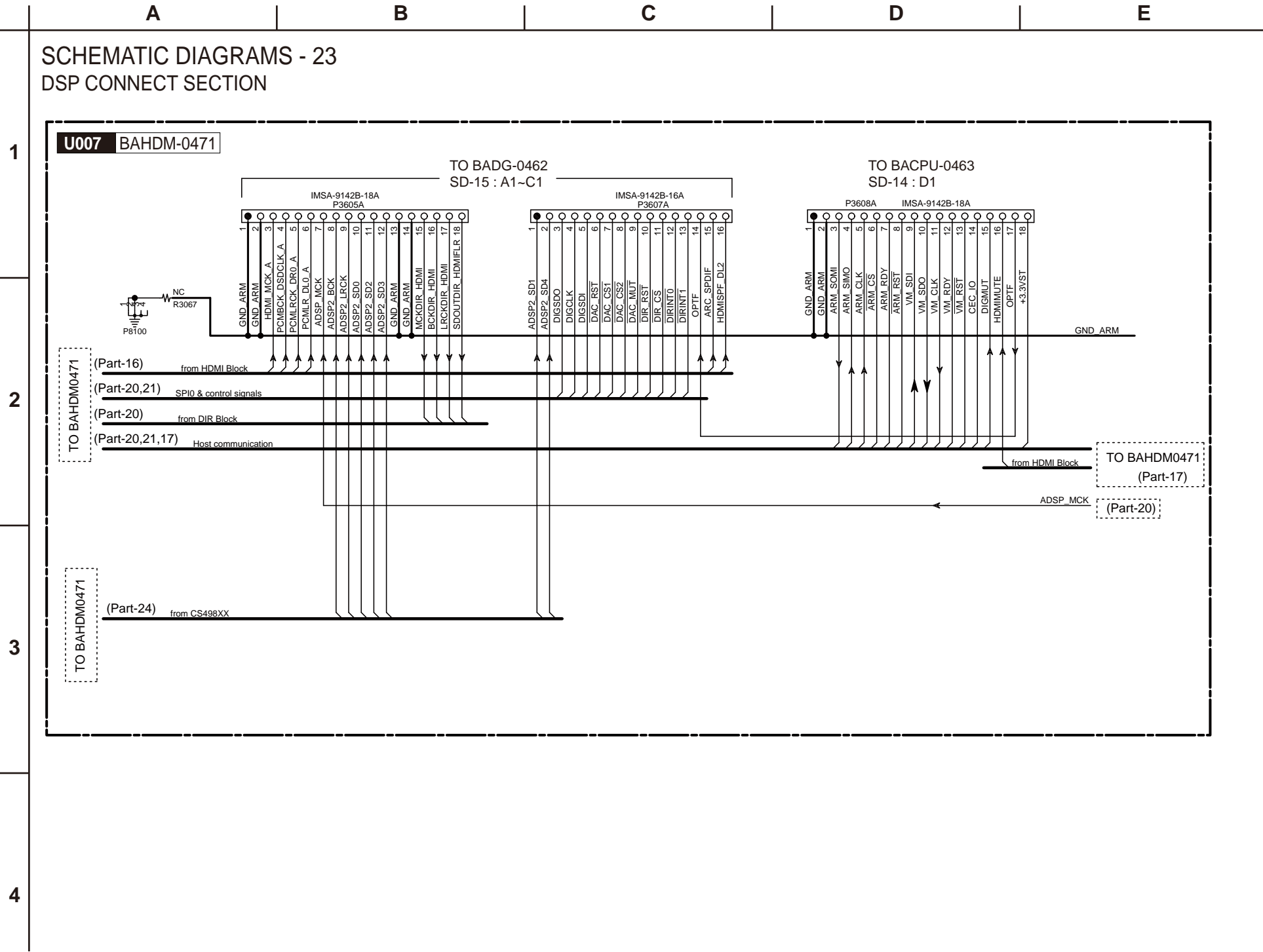
TO BAHDM0471 (PART-23)  
ETH\_RESET  
ARM\_RST



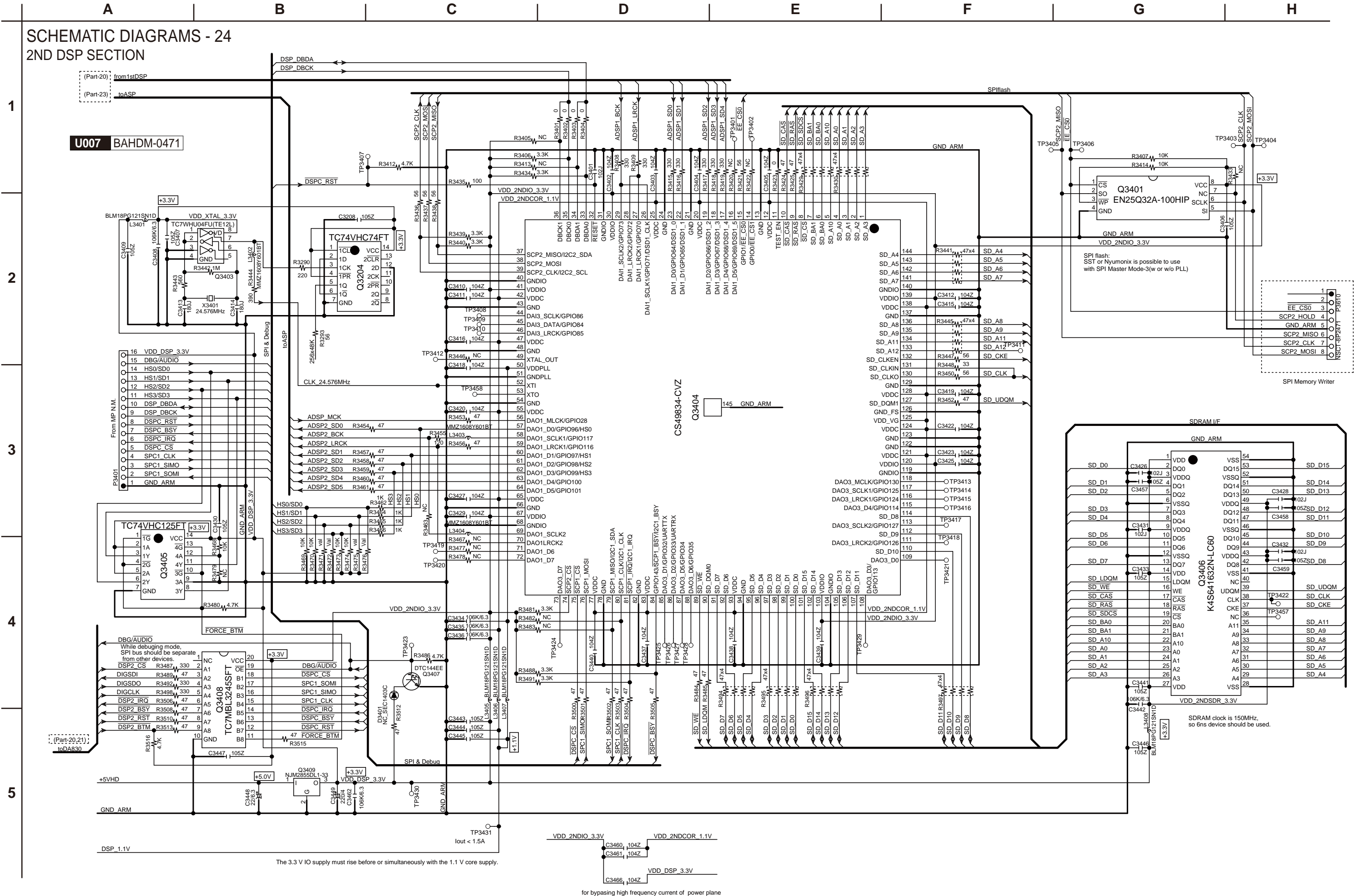
SCHEMATIC DIAGRAMS - 22  
1ST DSP MEMORY SECTION



**SCHEMATIC DIAGRAMS - 23**  
**DSP CONNECT SECTION**



SCHEMATIC DIAGRAMS - 24  
2ND DSP SECTION



The 3.3 V IO supply must rise before or simultaneously with the 1.1 V core supply.

for bypassing high frequency current of power plane

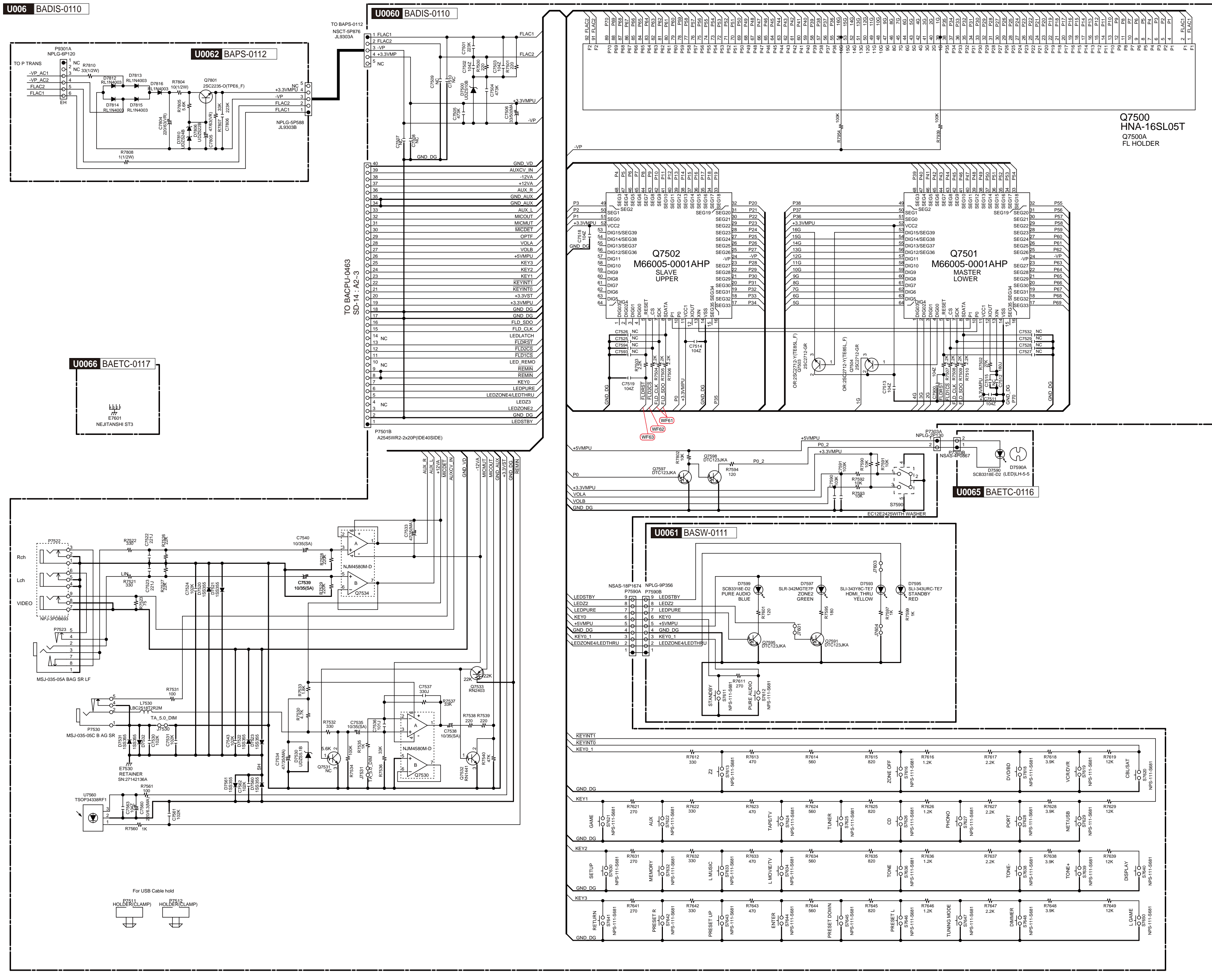
SDRAM clock is 150MHz, so 6ns device should be used.

SPI flash: SST or Nymonix is possible to use with SPI Master Mode-3(w or w/o PLL)

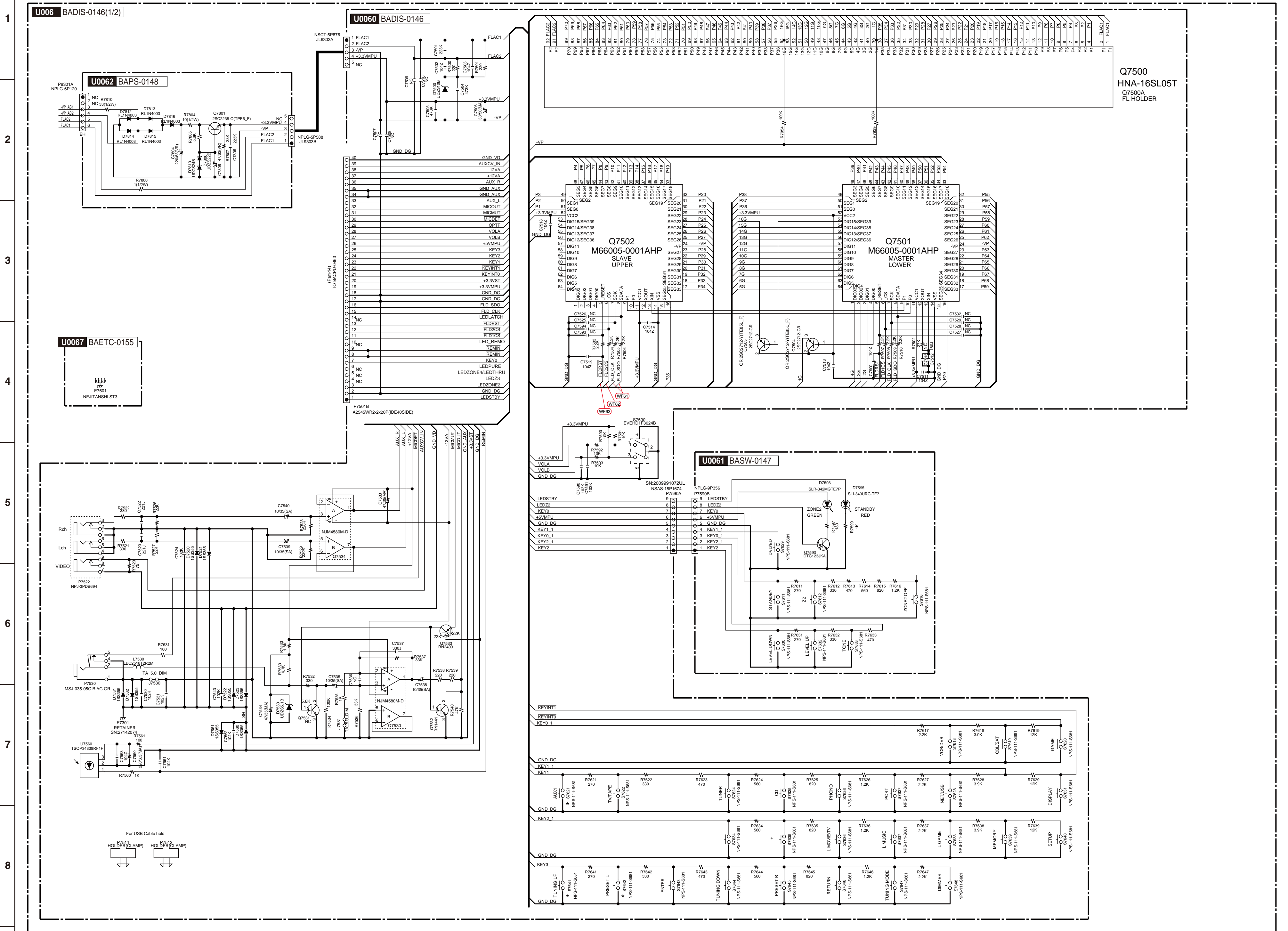
SPI Memory Writer

SCHEMATIC DIAGRAMS - 25  
DISP SECTION

1  
2  
3  
4  
5  
6  
7  
8



SCHEMATIC DIAGRAMS - 26  
DISPLAY SECTION



A

B

C

D

E

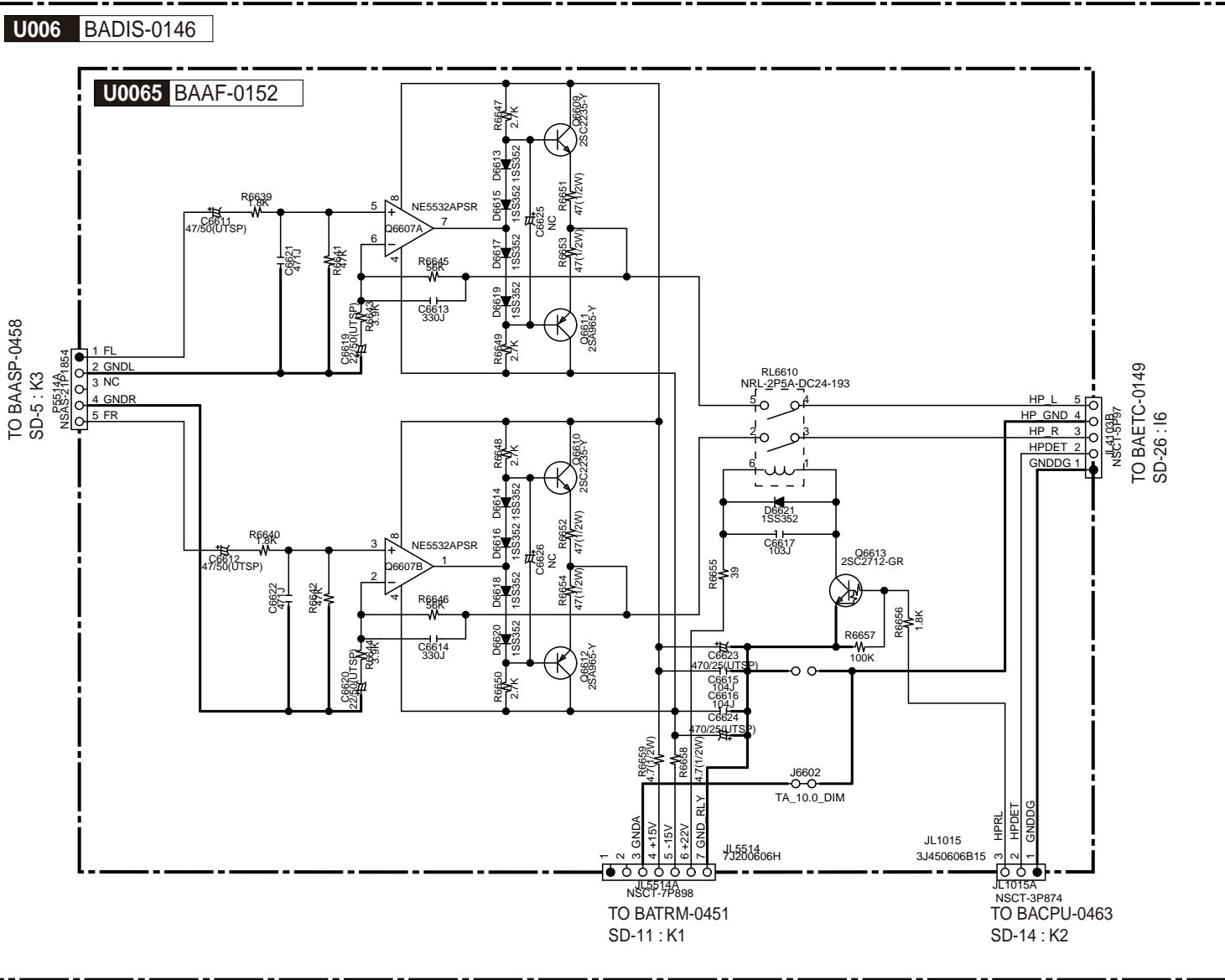
SCHEMATIC DIAGRAMS - 27  
HEAD PHONE AMP SECTION

1

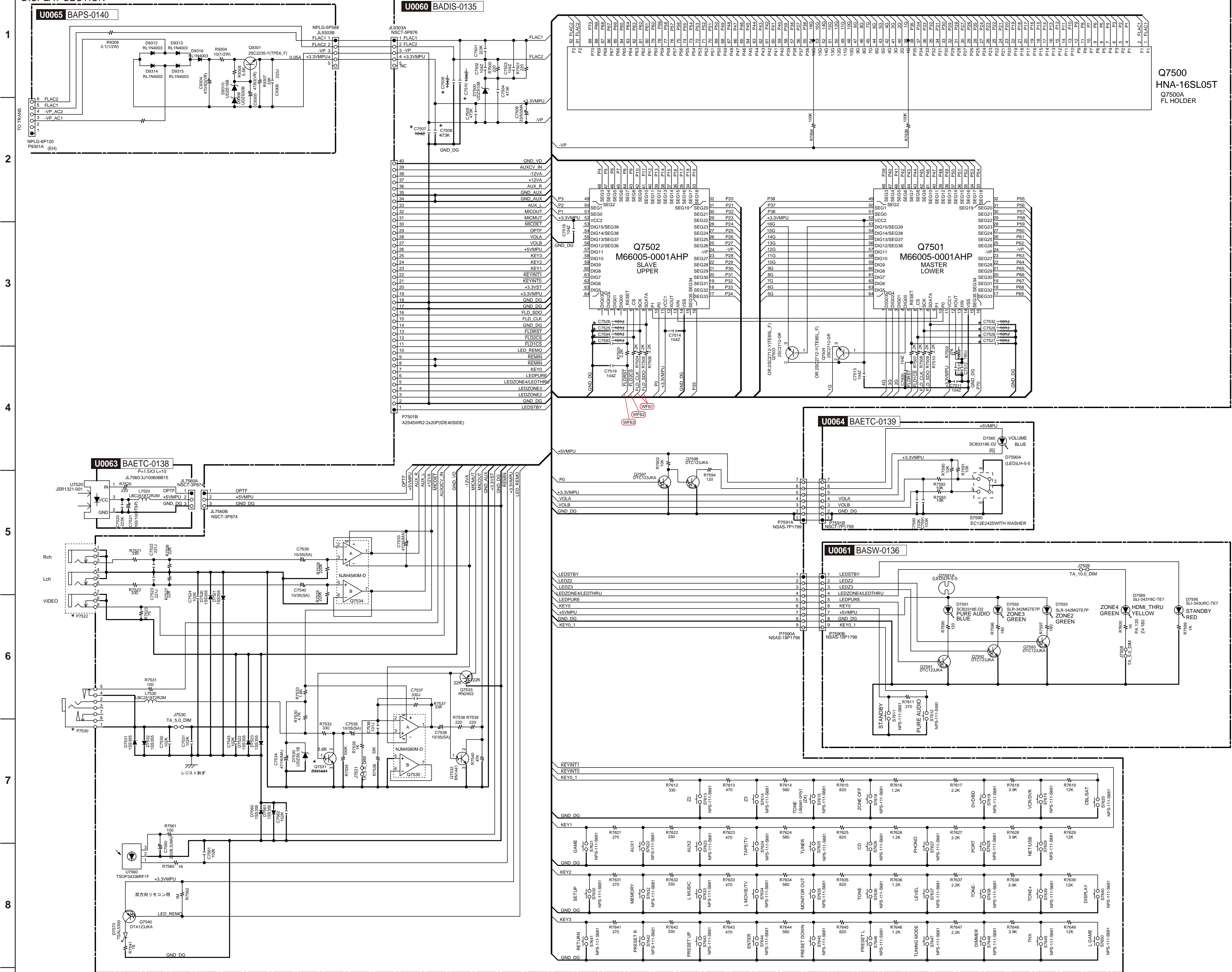
2

3

4



SCHEMATIC DIAGRAMS - 28  
DISPLAY SECTION

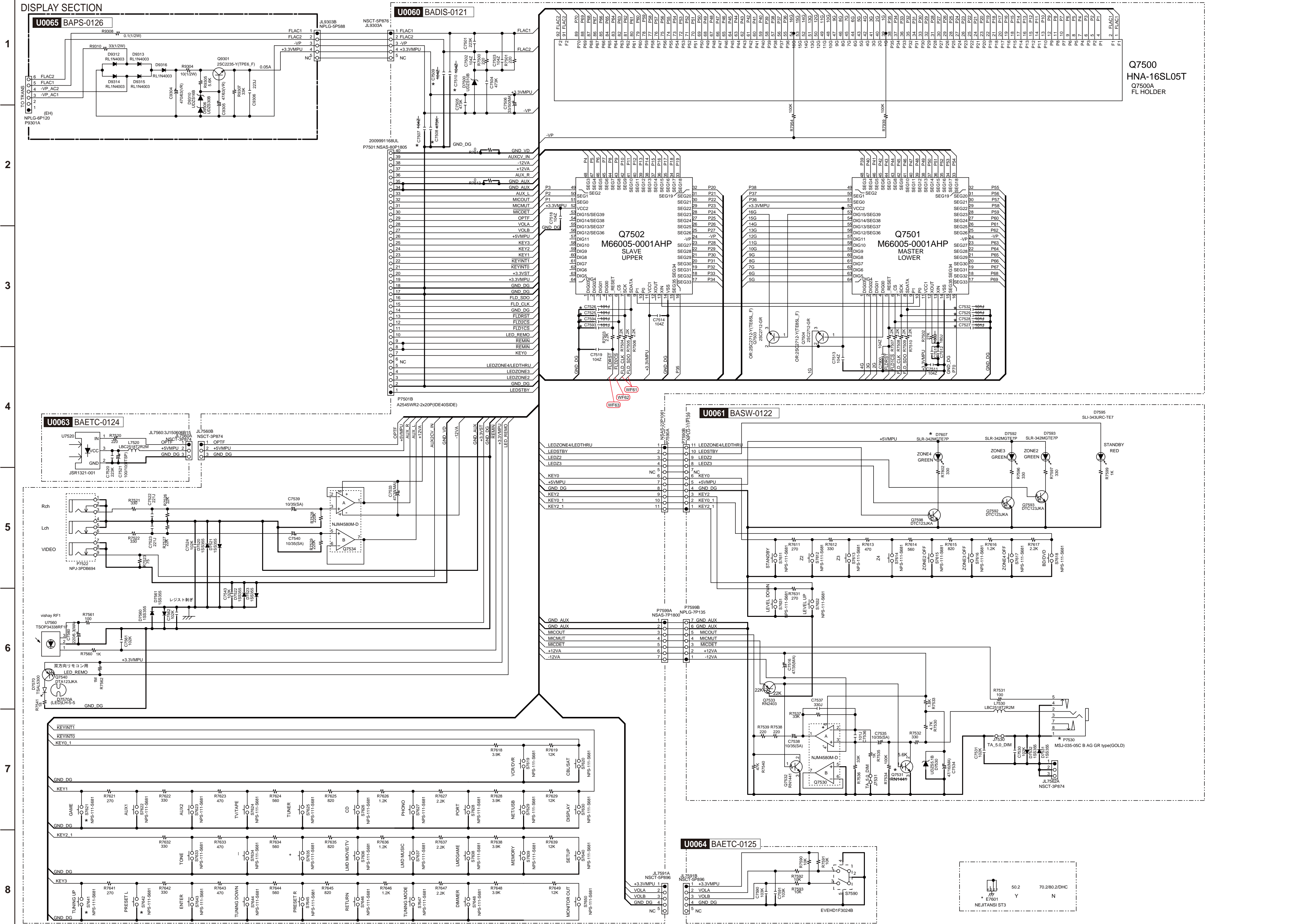


Q7500  
HNA-16SL05T  
Q7500A  
FL HOLDER

1  
2  
3  
4  
5  
6  
7  
8

A B C D E F G H I J K

SCHEMATIC DIAGRAMS - 30  
DISPLAY SECTION



Q7500  
HNA-16SL05T  
Q7500A  
FL HOLDER

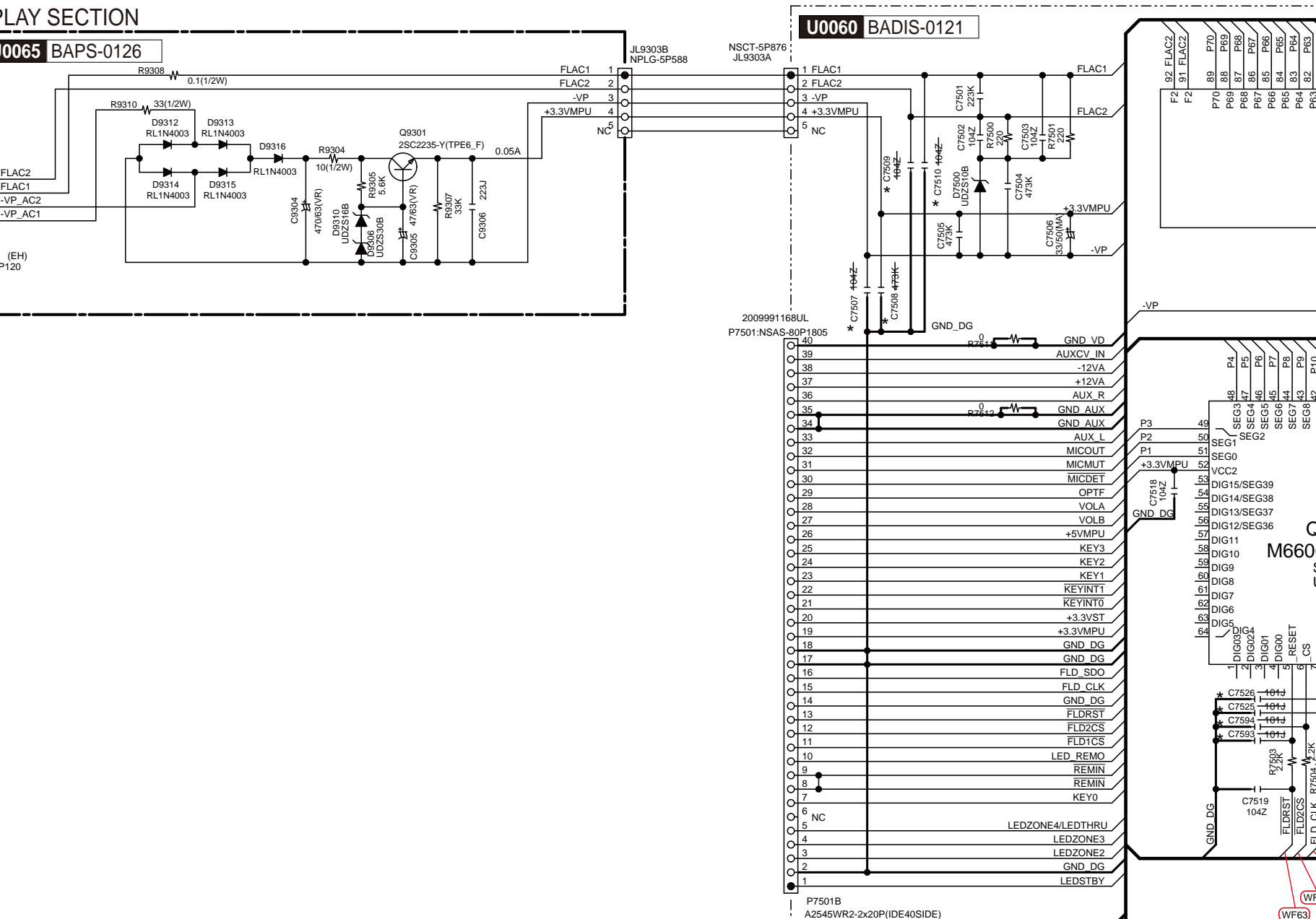
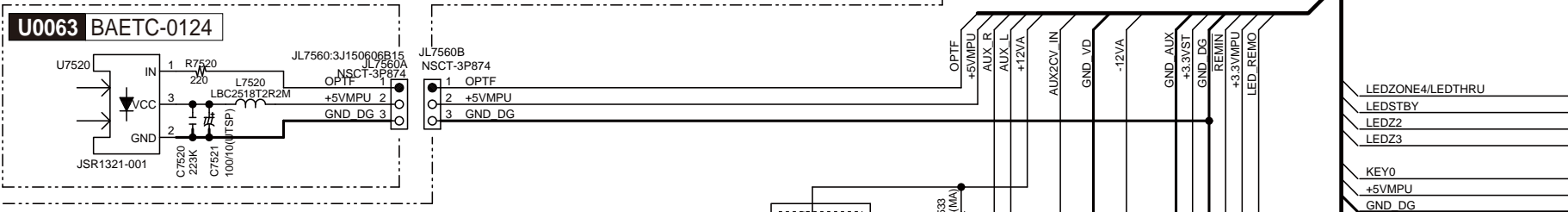
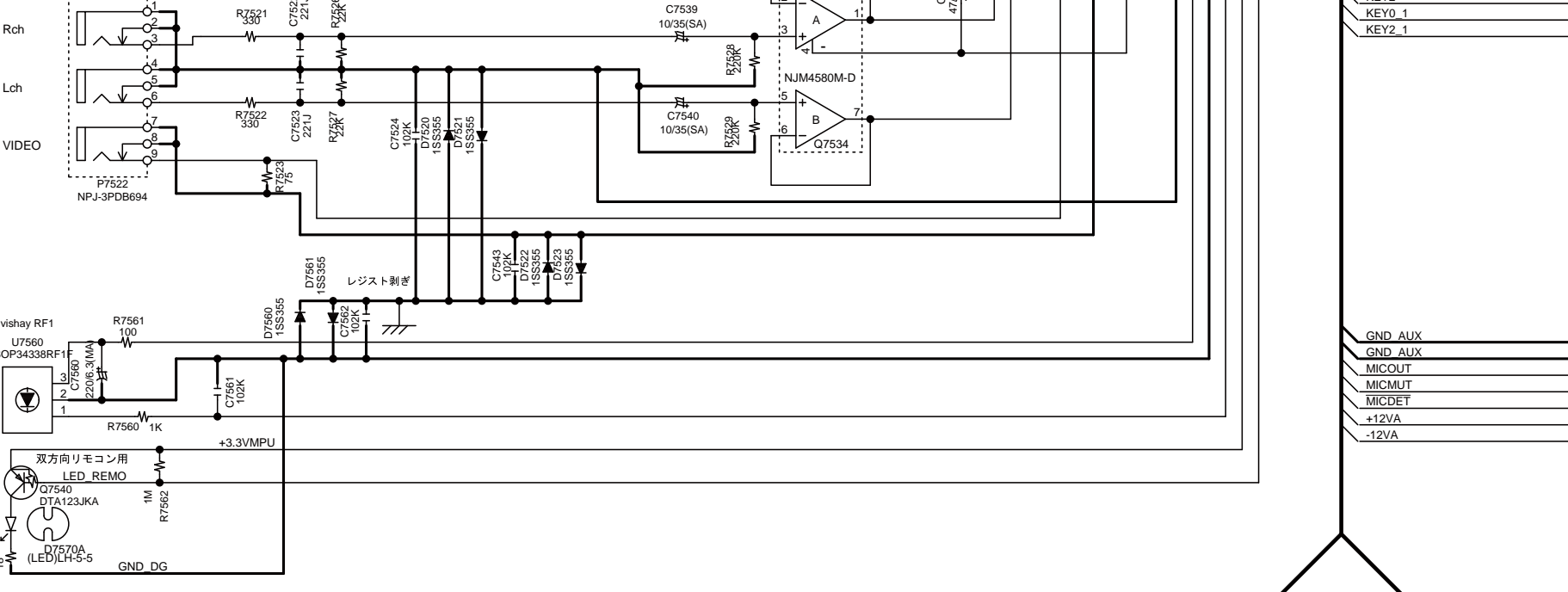
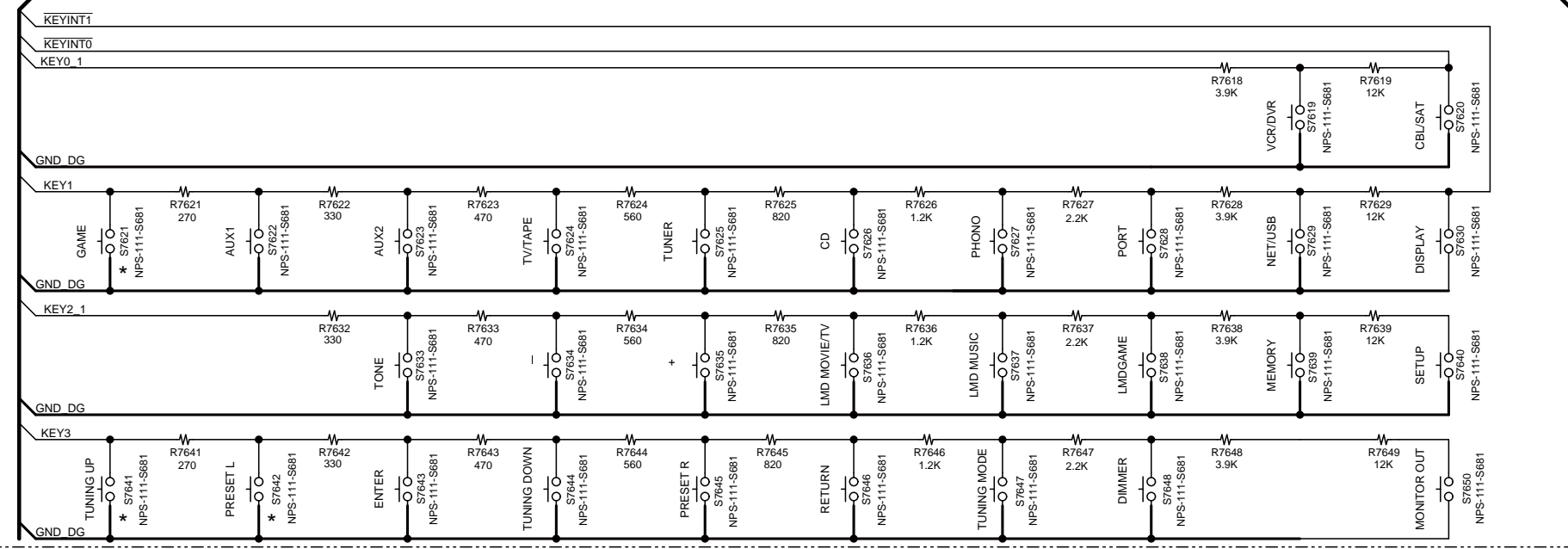
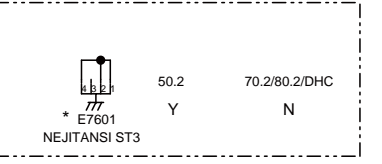
Q7502  
M66005-0001AHP  
SLAVE  
UPPER

Q7501  
M66005-0001AHP  
MASTER  
LOWER

U0063 BAETC-0124

U0061 BASW-0122

U0064 BAETC-0125



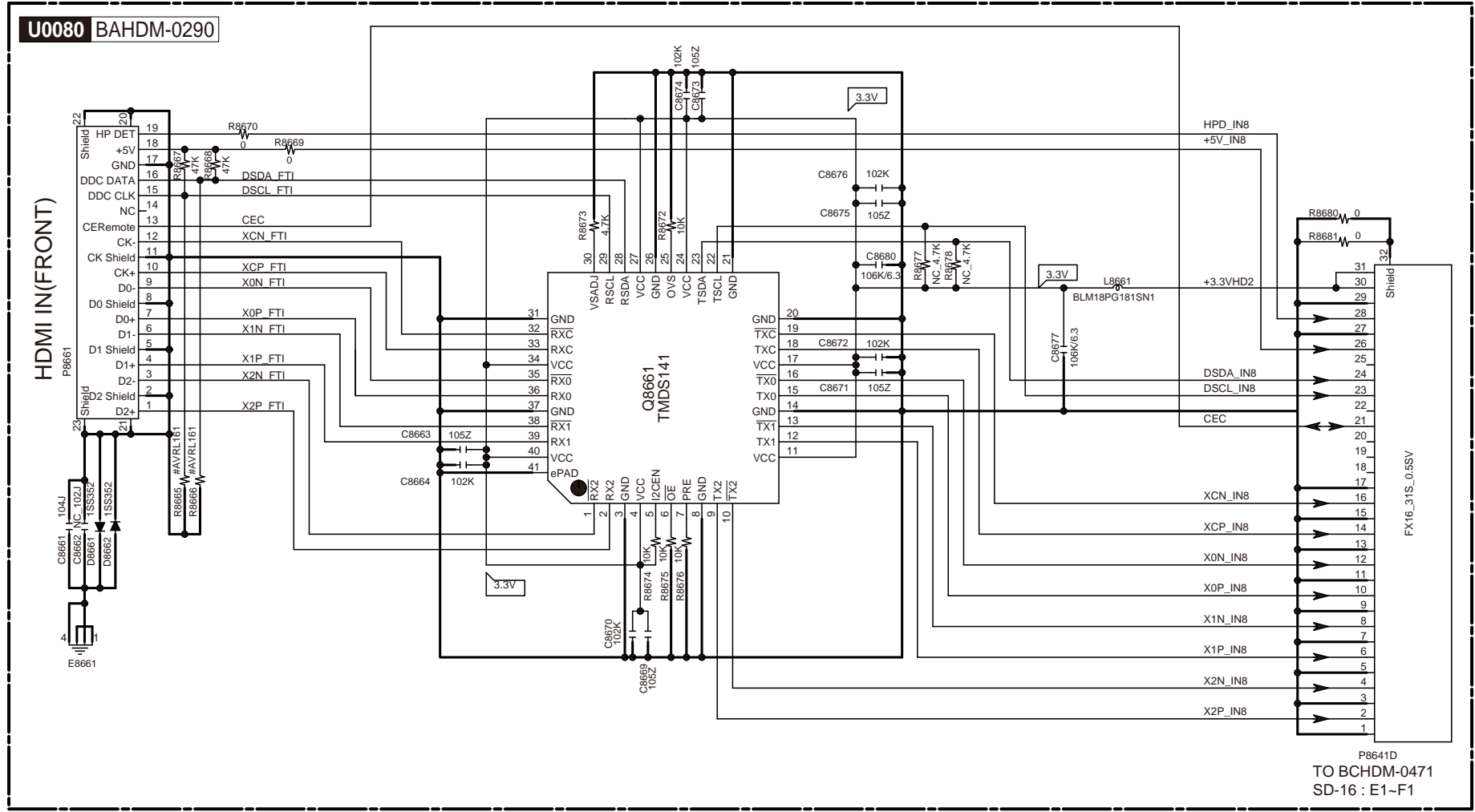


A B C D E  
 SCHEMATIC DIAGRAMS - 32  
 FRONT HDMI SECTION

1

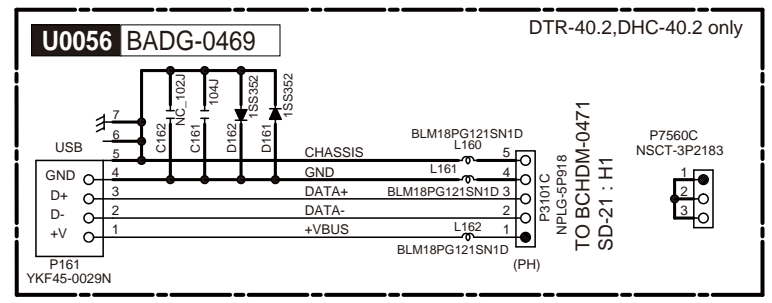
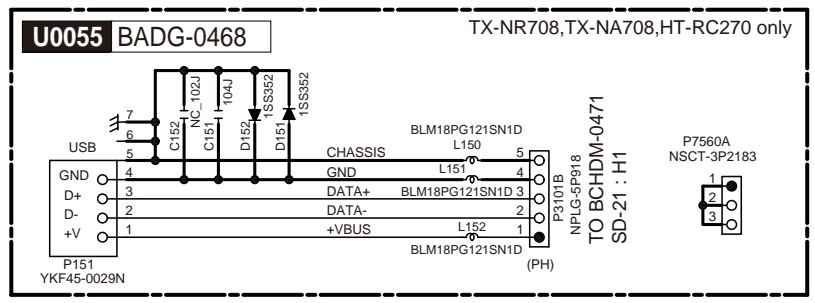
2

3

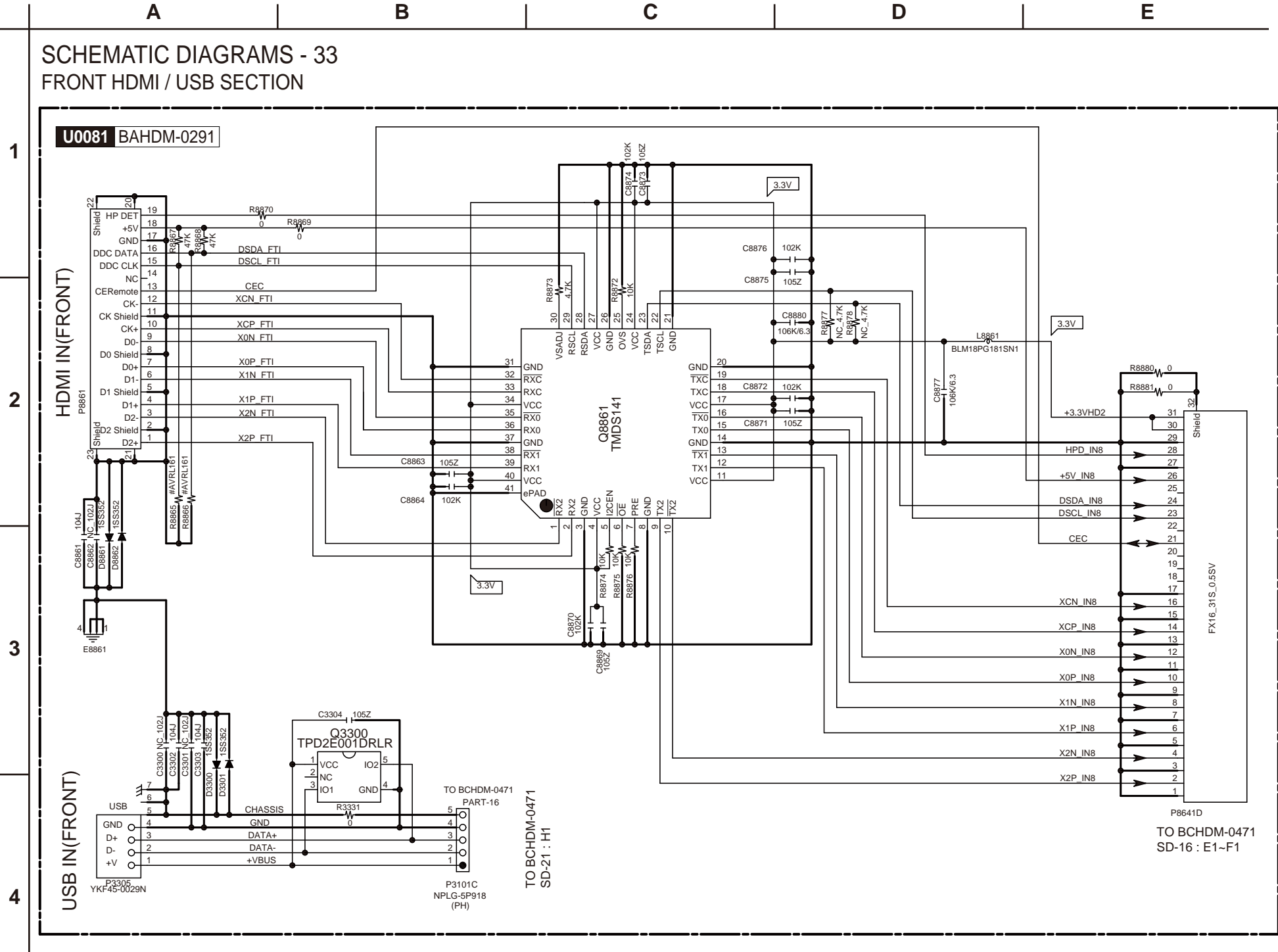


P8641D  
 TO BCHDM-0471  
 SD-16 : E1-F1

4



SCHEMATIC DIAGRAMS - 33  
FRONT HDMI / USB SECTION



**SCHEMATIC DIAGRAMS-34  
WAVEFORM SECTION**

1

**Digital Audio Waveform Part (SD-15)**

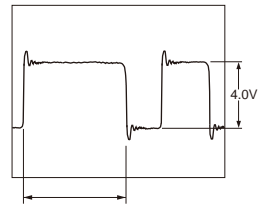
**NOTE:**

1. (WF01) is short for (Waveform01)
2. Refer to SCHEMATIC DIAGRAM-3 / PART-5 for the location of each waveform in the circuit.
3. XY in "PART-b:XY" indicates each measurement point location, X=A to E/H/K, Y=1 to 4/5/8.

LR CLOCK (SAI\_LRCK, CX\_LRCK)  
Fs=48kHz : DVD, Clock width=20.8us  
Fs=44.1kHz : CD, Clock width=22.7us

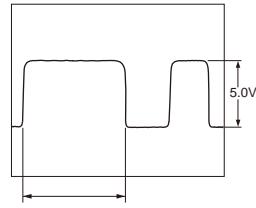
BIT CLOCK (SAI\_SLCK, CX\_SLCK)  
64Fs=3072kHz : DVD, Clock width=325ns  
64Fs=2822.4kHz : CD, Clock width=354ns

(WF01) OPT1



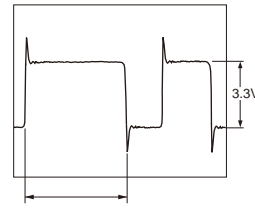
Duty varies according to audio data

(WF02) COAX1



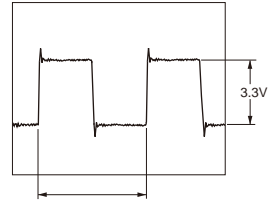
Duty always varies according to audio data

(WF03) SDOUTDIR HDMIFLR

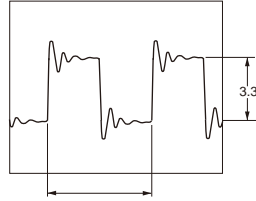


Duty varies according to audio data

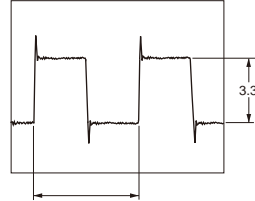
(WF04) LRCKDIR HDMI



(WF05) BCKDIR HDMI

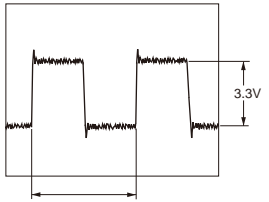


(WF06) DSP FLR3

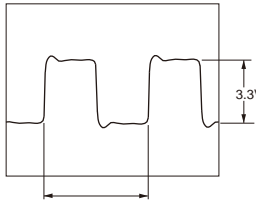


Front L/R audio data

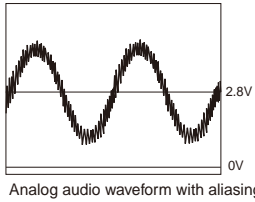
(WF07) DSP LRCK3



(WF08) DSP BCK3

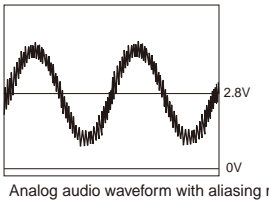


(WF09) FL+



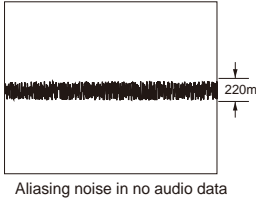
Analog audio waveform with aliasing noise

(WF10) DAC\_FL



Analog audio waveform with aliasing noise

(WF10) DAC\_FL



Aliasing noise in no audio data

2

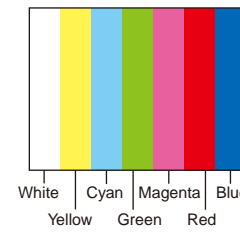
3

4

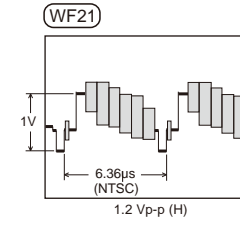
5

E

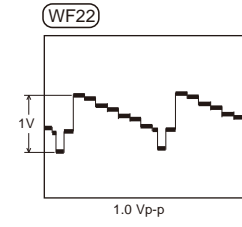
**Video source color and pattern**



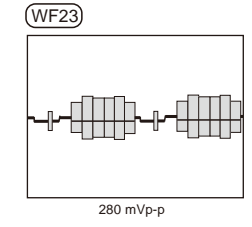
**Composite waveform**



**S-Video Y waveform**



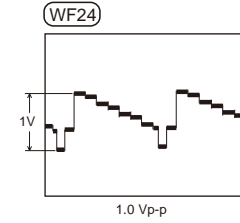
**S-Video C waveform**



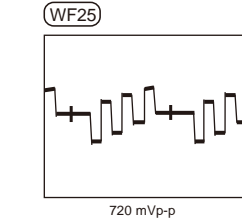
**NOTE:**

1. (WF21) is short for (Waveform21)
2. Refer to SCHEMATIC DIAGRAM-4/PART-6 for the location of each waveform on circuit.
3. XY in "PART-x:XY" indicates each socket's location, X=A to E/H/K, Y=1 to 4/5/8.
4. In the case that video outputs are not connected to video devices, video signal output levels are doubled.

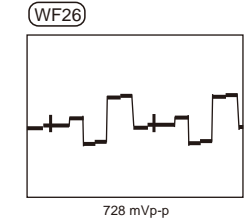
**Component Y waveform**



**Component PB waveform**

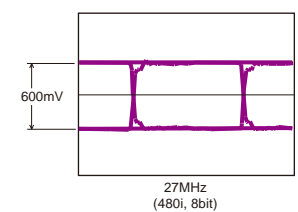
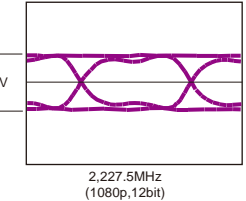


**Component PR waveform**



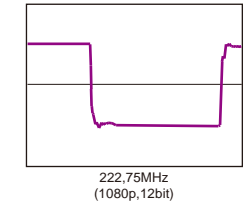
**HDMI Waveform Part (SD16)**

**HDMI D0,D1,D2 waveform**



D0,D1,D2 Eye-pattern waveform, frequency and level vary according to video resolution, aspect and profile. Waveforms above are examples.

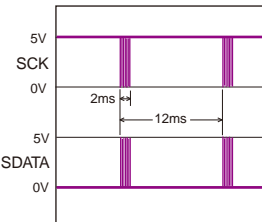
**HDMI CK waveform**



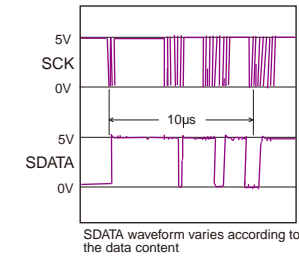
CK waveform, frequency and level differ according to video resolution, aspect and profile. D0,D1,D2 are just CK x10.

**FL Driver IC Control Waveform Part (SD25,26,28,30)**

**SCK/SDATA waveform**

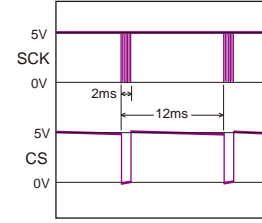


**SCK/SDATA waveform**

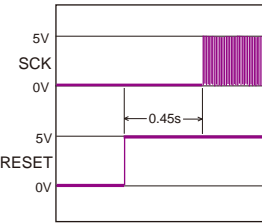


SDATA waveform varies according to the data content

**SCK/CS waveform**

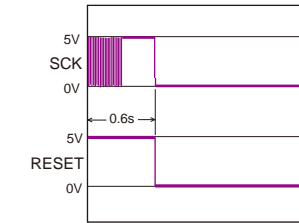


**SCK/RESET waveform**



When power on

**SCK/RESET waveform**



When power off

**TX-NR808****<Note>**

Parts marked by **"NSP"** are generally unavailable because they are not in our Master Spare Parts List.

NOTE : THE COMPONENTS IDENTIFIED BY THE MARK  
! ARE CRITICAL FOR RISK OF FIRE AND  
ELECTRIC SHOCK. REPLACE ONLY WITH PART  
NUMBER SPECIFIED.

**<Notes>**

**(B) : Black model**

**(S) : Silver model**

**<MDC> : 120V,Canadian model**

**<MDF> : 120V,Taiwanese model**

**<MMP> : 230V,CE(European) country model**

**<MMB> : 230V,UK model**

**<MMA> : 230V,Australian model**

**<MMQ> : 220/230-240V,Hong kong model**

**<MMR> : 220/230-240V,Chinese model**

**EXPLODED VIEW PARTS LIST**

REF. NO.	PART NAME	DESCRIPTION	Q'TY	PART NO. (SN)	REMARKS
EV	<b>[SEMI CONDUCTOR]</b>				
EV	D6901	DIODE	1	22380337	<B / S>
EV	Q6050	TR	1	2204130	<B / S>
EV	Q6050A	ISO SHEET	1	223055	<B / S>
EV	Q6051	TR	1	2204130	<B / S>
EV	Q6051A	ISO SHEET	1	223053	<B / S>
EV	Q6054	TR	1	2204130	<B / S>
EV	Q6055	TR	1	2204130	<B / S>
EV	Q6056	TR	1	2204130	<B / S>
EV	Q6057	TR	1	2204130	<B / S>
EV	Q6058	TR	1	2204130	<B / S>
EV	Q6060	TR	1	2204120	<B / S>
EV	Q6060A	ISO SHEET	1	223055	<B / S>
EV	Q6061	TR	1	2204120	<B / S>
EV	Q6061A	ISO SHEET	1	223053	<B / S>
EV	Q6064	TR	1	2204120	<B / S>
EV	Q6065	TR	1	2204120	<B / S>
EV	Q6066	TR	1	2204120	<B / S>
EV	Q6067	TR	1	2204120	<B / S>
EV	Q6068	TR	1	2204120	<B / S>
EV	<b>[CHASSIS SCREW]</b>				
EV	A045	HEAT SINK	1	27160645A	<B / S>
EV	A046	RETAINER	2	27142202	<B / S>

EV	A047	SPACER	(PC)	6	27270485	<B / S>
EV	A048	SPACER	t0.5xø8xø3.2	1	27270438	<B / S>
EV	A049	BRACKET	(HT)	1	27131080A	<B / S>
EV	A050	HOLDER	KGPS-18RF	1	27190926	<B / S>
EV	A051	SCREW	3TTB+8B(3CM)SR	6	801637	<B / S>
EV	A061	SCREW	3TTB+8B(3CM)SR	6	801637	<B / S>
EV	A063	SCREW	3SMS8W.SW+14B(CU)	14	801634	<B / S>
EV	A065	SCREW	3TTB+8B(3CM)SR	7	801637	<B / S>
EV	A067	SCREW	3SMS8W.SW+14B(CU)	1	801634	<B / S>
EV	A069	SCREW	3P+6FN(3BC)	6	82143006GR	<B / S>
EV	A071	SCREW	3TTB+8B(3CM)SR	2	801637	<B / S>
EV	A072	CUSHION	t3 x 60 x 5cr rubber	1	28141849	<B / S>
EV	A073	TAPE	TAPE(CLOTH-8U)	1	29110082	<B / S>
EV	A075	IB CUSHION	W15 x 3t TAPE	1	28141585	<B / S>
EV	A077	WIRE TIE	BSK-1	20	260208	<B / S>
EV	A081	CHASSIS	---	1	27100548B	<B / S>
EV	A083	BOTTOM LEG	---	4	27175452	<B / S>
EV	A085	CUSHION	(LEG)	4	28141735	<B / S>
EV	A087	IB CUSHION	W15 x 3t TAPE	1	28141585	<B / S>
EV	A089	CUSHION	(BUTYL)	4	28141748	<B / S>
EV	A093	SCREW	3TTB+8B(3CM)SR	4	801637	<B / S>
EV	A119	HOLDER	HOLDER KGLS-8S	4	27190480	<B / S>
EV	A121	HOLDER	KGPS-14RF	3	27190802	<B / S>
EV	A125	HOLDER	KGPS-14RF	1	27190802	<B / S>
EV	A127	HOLDER	HOLDER KGLS-18S	2	27190470	<B / S>
EV	A129	HOLDER	HOLDER KGLS-18S	2	27190470	<B / S>
EV	A131	HOLDER	KGLS-14S	1	27190164	<B / S>
EV	A133	HOLDER	KGLS-10RT	1	27190428A	<B / S>
EV	A135	HOLDER	KGLS-12RT	1	27190266	<B / S>
EV	A137	HOLDER	KGLS-22RT	2	27190772	<B / S>
EV	A141	SCREW	3TTB+8B(3CM)SR	1	801637	<B / S>
EV	A143	SCREW	3TTB+8B(3CM)SR	2	801637	<B / S>
EV	A147	BUSHING	(FAN)	8	28170101	<B / S>
EV	A148	CUSHION	FELT 65 x 15	2	28141847	<B / S>
EV	A149	PLATE	(FAN)	1	27262850B	<B / S>
EV	A151	BRACKET	(F)	1	27131081A	<B / S>
EV	A152	BUSHING	CE-016 L=40	1	28170102	<B / S>
EV	A153	RETAINER	(C)	2	27142181B	<B / S>
EV	A154	HOLDER	KGLS-22S	1	27190369	<B / S>

EV	A155	WS CLAMP	WS-3NS	3	260220	<B / S>
EV	A157	HOLDER	WS-4NS	1	27191207	<B / S>
EV	A159	HOLDER	SPM-4	4	27191154	<B / S>
EV	A160	HOLDER	KGLS-4S	3	27190009	<B / S>
EV	A161	WS CLAMP	WS-3NS	1	260220	<B / S>
EV	A163	BUSHING	L125	2	28170004	<B / S>
EV	A165	BUSHING	BUSHING	1	28170041	<B / S>
EV	A167	SCREW	3TTB+8B(3CM)SR	5	801637	<B / S>
EV	A169	SCREW	3TTB+8B(3CM)SR	2	801637	<B / S>
EV	A171	SCREW	3TTB+8B(3CM)SR	9	801637	<B / S>
EV	A177	SCREW	3TTB+8B(3CM)SR	6	801637	<B / S>
EV	A179	SCREW	4TTC+8C(3BC)	4	830440089GR	<B / S>
EV	A181	SCREW	3TTB+8B(3BC)	7	838430088GR	<B / S>
EV	A245	TAPE	TAPE(CLOTH-8U)	1	29110082	<B / S>
EV	A247	LABEL	(PT)	1	29391178	<B / S>
EV	A251	REAR PANEL	808MP	1	27124137	<b>N</b> <B MMA, MMB, MMP, MMQ / S MMP>
EV	A251	REAR PANEL	808MR	1	27124138	<b>N</b> <B MMR>
EV	A251	REAR PANEL	808DC	1	27124136A	<b>N</b> <B MDC, MDF>
EV	A255	SCREW	3TTB+8B(3BC)	12	838430088GR	<B MDC, MDF, MMA, MMB, MMP, MMQ, MMR / S MMP>
EV	A257	SCREW	3TTB+8B(3BC)	10	838430088GR	<B MDC, MDF, MMA, MMB, MMP, MMQ, MMR / S MMP>
EV	A259	SCREW	3TTB+8B(3BC)	8	838430088GR	<B MDC, MDF, MMA, MMB, MMP, MMQ, MMR / S MMP>
EV	A261	SCREW	3TTB+8B(3BC)	5	838430088GR	<B MDC, MDF, MMA, MMB, MMP, MMQ, MMR / S MMP>
EV	A263	SCREW	3TTB+8B(3BC)	2	838430088GR	<B MDC, MDF, MMA, MMB, MMP, MMQ, MMR / S MMP>
EV	A264	SCREW	3TTB+8B(3BC)	1	838430088GR	<B MDC, MDF, MMA, MMB, MMP, MMQ, MMR / S MMP>
EV	A267	SCREW	3P+6FN(3BC)	7	82143006GR	<B MDC, MDF>
EV	A267	SCREW	3P+6FN(3BC)	8	82143006GR	<B MMA, MMB, MMP, MMQ, MMR / S MMP>
EV	A269	SCREW	3P+6FN(3BC)	2	82143006GR	<B MDC, MDF, MMA, MMB, MMP, MMQ, MMR / S MMP>
EV	A271	SCREW	3P+6FN(3BC)	1	82143006GR	<B MDC, MDF>
EV	A273	SCREW	3TTF+10B(3BC)	2	835430108GR	<B MDC, MDF, MMA, MMB, MMP, MMQ, MMR / S MMP>
EV	A275	TRM	E TERMINAL	1	25060151	<B MDC, MDF, MMA, MMB, MMP, MMQ, MMR / S MMP>
EV	A281	WASHER	W3 x 10F(3BC)	1	87643010GR	<B MDC, MDF, MMA, MMB, MMP, MMQ, MMR / S MMP>
EV	A283	LABEL	(SP1)	1	29390790	<B / S>
EV	A285	LABEL	(SP2)	1	29390791	<B / S>
EV	<b>[CABINET]</b>					
EV	A401	F BRACKET	AS(BLACK)	1	27111561G	<B>
EV	A401	F BRACKET	AS(SILVER)	1	27111562G	<S>
EV	A403	KNOB	(PURE)AS BLACK	1	28326822	<b>N</b> <B>
EV	A403	KNOB	(PURE)AS SILVER	1	28326823	<S>
EV	A405	KNOB	(STBY)807	1	28326702	<S>

EV	A407	BUSHING	(DOOR)	2	28170095	<B>
EV	A407	BUSHING	(DOOR) GRAY	2	28170096	<S>
EV	A409	FACET	(VOL)	1	28200040A	<B / S>
EV	A411	SCREW	3TTB+8B(3CM)SR	2	801637	<B / S>
EV	A413	B PLATE	(B)	1	28133428	<B>
EV	A413	B PLATE	(S)	1	28133429	<S>
EV	A417	RETAINER	(F)	1	27142155A	<B / S>
EV	A419	SCREW	3TTB+8B(3CM)SR	1	801637	<B / S>
EV	A421	SCREW	3TTB+8B(3CM)SR	1	801637	<B / S>
EV	A423	SCREW	3TTB+8B(3CM)SR	12	801637	<B / S>
EV	A425	SCREW	3TTB+8B(3CM)SR	3	801637	<B / S>
EV	A427	SCREW	3TTB+8B(3CM)SR	2	801637	<B / S>
EV	A429	SCREW	3TTB+8B(3CM)SR	1	801637	<B / S>
EV	A431	SCREW	3TTB+8B(3CM)SR	1	801637	<B / S>
EV	A433	IB CUSHION	W15 x 3t TAPE	1	28141585	<B / S>
EV	A435	TAPE	TAPE(CLOTH-8U)	1	29110082	<B / S>
EV	A437	TAPE	TAPE(CLOTH-8U)	1	29110082	<B / S>
EV	A439	SCREW	3TTB+10B(3BC)	2	838430108GR	<B / S>
EV	A441	SCREW	3TTB+10B(3BC)	1	838430108GR	<B / S>
EV	A443	SCREW	3TTB+8B(3BC)	3	838430088GR	<B / S>
EV	A445	SCREW	3TTB+8B(3BC)	3	838430088GR	<B / S>
EV	A447	SCREW	3TTB+8B(3CM)SR	3	801637	<B / S>
EV	A449	SCREW	3TTB+8B(3CM)SR	1	801637	<B / S>
EV	A451	RETAINER AS	(L)	1	27142166	<B / S>
EV	A453	SCREW	3TTB+8B(3BC)	2	838430088GR	<B / S>
EV	A455	RETAINER AS	(R)	1	27142167	<B / S>
EV	A457	SCREW	3TTB+8B(3BC)	1	838430088GR	<B / S>
EV	A459	E-WASHER	ES-3S	1	8930301S	<B / S>
EV	A461	HOLDER	(DAMPER)	1	27191334B	<B / S>
EV	A463	SCREW	3TTB+8B(3BC)	1	838430088GR	<B / S>
EV	A465	DAMPER	002P Type-L	1	27301965	<B / S>
EV	A467	SCREW	3TTB+8B(3BC)	1	838430088GR	<B / S>
EV	A469	PLATE	(LOCK)	1	27262843	<B / S>
EV	A471	SCREW	3P+6FN(3BC)	2	82143006GR	<B / S>
EV	A473	BRACKET	(L)	1	27131062B	<B / S>
EV	A475	SCREW	3P+6FN(3BC)	1	82143006GR	<B / S>
EV	A477	BRACKET	(R)	1	27131063B	<B / S>
EV	A479	SCREW	3P+6FN(3BC)	1	82143006GR	<B / S>
EV	A485	F PANEL	808(B)DC/DF	1	27213367	N <B MDC, MDF>

EV	A485	F PANEL	808(B)MP/MB/MO	1	27213368	N	<B MMA, MMB, MMP, MMQ, MMR>
EV	A485	F PANEL	808(S)MP	1	27213369	N	<S MMP>
EV	A491	CLEAR PLT	(AS)NR808	1	28192301	N	<B MDC, MDF, MMA, MMB, MMP, MMQ, MMR / S MMP>
EV	A493	BADGE	BADGE	1	28135244		<B>
EV	A493	BADGE	---	1	28135298		<S>
EV	A501	DOOR	808(B)DC/DF	1	28148768	N	<B MDC, MDF>
EV	A501	DOOR	808(B)MP/MB/MO	1	28148769	N	<B MMA, MMB, MMP, MMQ, MMR>
EV	A501	DOOR	808(S)MP	1	28148770	N	<S MMP>
EV	A505	KNOB	(POW) (B)	1	28326454		<B MMA, MMB, MMP, MMQ, MMR>
EV	A505	KNOB	(POW)(S) 09	1	28326729		<S MMP>
EV	A507	SCREW	3P+6FN(3BC)	2	82143006GR		<B MMA, MMB, MMP, MMQ, MMR / S MMP>
EV	A509	SCREW	3TTB+8B(3CM)SR	2	801637		<B MMA, MMB, MMP, MMQ, MMR / S MMP>
EV	A515	KNOB	(VOL)AS 807B	1	28326693		<B>
EV	A515	KNOB	(VOL)AS 807S	1	28326694		<S>
EV	A517	CUSHION	t0.9 x Φ48	1	28141824		<B / S>
EV	A521	INST SHEET	txnr807 door	1	29355770		<B / S>
EV	A523	CUSHION	EPE t2.5x40x10	2	28141819		<B / S>
EV	A525	TAPE	FIXLON #817 W12	1	29110207		<B / S>
EV	A525 or	TAPE	SLIONTEC 9514	(1)	29110201		<B / S>
EV	A701	COVER	(B)808 (Bent)	1	28210071		<B>
EV	A701	COVER	(S)808 (Bent)	1	28210072		<S>
EV	A701	COVER	(B)808 (Not Bent)	1	28210071Z		<B>
EV	A701	COVER	(S)808 (Not Bent)	1	28210072Z		<S>
EV	A702	CUSHION	---	2	28141799		<B / S>
EV	A703	LABEL	(CAUTION)	1	29363797		<S>
EV	A703	LABEL	(COVER)	1	29364123		<B>
EV	A704	TAPE	TAPE(CLOTH-8U)	1	29110082		<B / S>
EV	A705	LABEL	HOOKUP-ONKYO	1	29363194		<B MDC>
EV	A713	SCREW	3TTB+8B(3CM)SR	3	801637		<S>
EV	A715	SCREW	3TTB+8B(3BC)	3	838430088GR		<B>
EV	A717	SCREW	4TTB+8C(3BC)	6	838440089GR		<B>
EV	A719	ST SCREW	4TTB+8C(NI)	6	838240089		<S>
EV	<b>[TRANS COIL]</b>						
EV	T901	P TRANS	NPT-1593D	1	2301987A	!	<B MDC, MDF>
EV	T901	P TRANS	NPT-1593M	1	2301988A	!	<B MMA, MMB, MMP, MMQ, MMR / S MMP>
EV	<b>[SW TRM]</b>						
EV	F2000	FUSE	4A-UL/T-233	1	252325GR	!	<B / S>
EV	F2000 or	FUSE	4A-T/UL-ST2	(1)	252257GR	!	<B / S>
EV	F2001	FUSE	3.15A-UL/T-233	1	252323GR	!	<B / S>



EV	F2001 or	FUSE	3.15A-T/UL-ST2	(1)	252256GR	!	<B / S>
EV	F6901	FUSE	15A-TUL-250V	1	252303GR	!	<B / S>
EV	F6901 or	FUSE	15A-UL/T-314	(1)	252197GR	!	<B / S>
EV	F6902	FUSE	15A-TUL-250V	1	252303GR	!	<B / S>
EV	F6902 or	FUSE	15A-UL/T-314	(1)	252197GR	!	<B / S>
EV	F901	FUSE	6.3A-SE-EAK FUSE	1	252079GR	!	<B MMA, MMB, MMP, MMQ, MMR / S MMP>
EV	F901	FUSE	12A-TUL-250V	1	252301GR	!	<B MDC, MDF>
EV	F901 or	FUSE	12A-UL/T-314	(1)	252196GR	!	<B MDC, MDF>
EV	F901 or	FUSE	6.3A-SE-TL250V	(1)	252279GR	!	<B MMA, MMB, MMP, MMQ, MMR / S MMP>
EV	F901E	LABEL	T6.3AL/250V	1	29361681		<B MMA, MMB, MMP, MMQ, MMR / S MMP>
EV	F901E	FUSE LABEL	12A/250V	1	29362325		<B MDC, MDF>
EV	JL4103	JUMPER LEAD	JL5 500 H	1	NSP		<B MDC, MDF, MMA, MMB, MMP, MMQ, MMR / S MMP>
EV	P061	FAN	D09A-12PG13	1	24502328		<B / S>
EV	P062	FAN	D09A-12PG13	1	24502328		<B / S>
EV	P103	FFC	NCFC7-111012	1	2047111012		<B MDC, MDF, MMA, MMB, MMP, MMQ, MMR / S MMP>
EV	P2101	FFC	NCFC7-311012	1	2047311012		<B MDC, MDF, MMA, MMB, MMP, MMQ, MMR / S MMP>
EV	P3101	SOCKET AS	NSAS-10P1813	1	2009991173UL		<B / S>
EV	P6600A	P RIVET	JB-407A-C	22	880052		<B MDF, MMA, MMB, MMP, MMQ, MMR / S MMP>
EV	P7501	SOCKET AS	NSAS-80P1871	1	2009991203UL		<B / S>
EV	P8002	FFC	NCFC5-110512	1	2045110512		<B / S>
EV	P8641	FFC	NCFC5-31008	1	204D31008		<B / S>
EV	P900	AC INLET	R301X2PSn	1	25053358		<B MDC, MDF, MMA, MMB, MMP, MMQ, MMR / S MMP>
EV	P9008	SOCKET AS	NSAS-3P1760	1	2009991127UL		<B MDC, MDF>
EV	P9008	SOCKET AS	NSAS-4P1797	1	2009991163UL		<B MMA, MMB, MMP, MMQ, MMR / S MMP>
EV	P906	FASTON AS	FASTON SOCKET	1	1F999026A		<B MDC, MDF, MMA, MMB, MMP, MMQ, MMR / S MMP>
EV	<b>[TUNER UNIT]</b>						
EV	U001	U0010 + U0011 + U0012 + U0013	BAAMP-0474-1A *	1	1B248574-1A	N	<MDC>
EV	U001	U0010 + U0011 + U0012 + U0013	BAAMP-0474-1A *	1	1B248574-1A	N	<MMP>
EV	U001	U0010 + U0011 + U0012 + U0013	BAAMP-0474-1A *	1	1B248574-1A	N	<MMA>
EV	U001	U0010 + U0011 + U0012 + U0013	BAAMP-0474-1A *	1	1B248574-1A	N	<MMB>
EV	U001	U0010 + U0011 + U0012 + U0013	BAAMP-0474-1A *	1	1B248574-1A	N	<MMQ>
EV	U001	U0010 + U0011 + U0012 + U0013	BAAMP-0474-1A *	1	1B248574-1A	N	<MDF>
EV	U001	U0010 + U0011 + U0012 + U0013	BAAMP-0474-1A *	1	1B248574-1A	N	<MMR>
EV	U0010	POWER AMP. PCB AS	BAAMP-0474-1A	1	1B2485474-1A	N	<MDC>
EV	U0010	POWER AMP. PCB AS	BAAMP-0474-1A	1	1B2485474-1A	N	<MMP>
EV	U0010	POWER AMP. PCB AS	BAAMP-0474-1A	1	1B2485474-1A	N	<MMA>
EV	U0010	POWER AMP. PCB AS	BAAMP-0474-1A	1	1B2485474-1A	N	<MMB>
EV	U0010	POWER AMP. PCB AS	BAAMP-0474-1A	1	1B2485474-1A	N	<MMQ>
EV	U0010	POWER AMP. PCB AS	BAAMP-0474-1A	1	1B2485474-1A	N	<MDF>

EV	U0010	POWER AMP. PCB AS	BAAMP-0474-1A	1	1B2485474-1A	N <MMR>
EV	U0011	POWER SUPPLY PCB AS	BAAF-0475-1A	1	1B2485475-1A	N <MDC>
EV	U0011	POWER SUPPLY PCB AS	BAAF-0475-1A	1	1B2485475-1A	N <MMP>
EV	U0011	POWER SUPPLY PCB AS	BAAF-0475-1A	1	1B2485475-1A	N <MMA>
EV	U0011	POWER SUPPLY PCB AS	BAAF-0475-1A	1	1B2485475-1A	N <MMB>
EV	U0011	POWER SUPPLY PCB AS	BAAF-0475-1A	1	1B2485475-1A	N <MMQ>
EV	U0011	POWER SUPPLY PCB AS	BAAF-0475-1A	1	1B2485475-1A	N <MDF>
EV	U0011	POWER SUPPLY PCB AS	BAAF-0475-1A	1	1B2485475-1A	N <MMR>
EV	U0012	THERMAL SENS. PCB AS	BAETC-0476-1A	1	1B2485476-1A	N <MDC>
EV	U0012	THERMAL SENS. PCB AS	BAETC-0476-1A	1	1B2485476-1A	N <MMP>
EV	U0012	THERMAL SENS. PCB AS	BAETC-0476-1A	1	1B2485476-1A	N <MMA>
EV	U0012	THERMAL SENS. PCB AS	BAETC-0476-1A	1	1B2485476-1A	N <MMB>
EV	U0012	THERMAL SENS. PCB AS	BAETC-0476-1A	1	1B2485476-1A	N <MMQ>
EV	U0012	THERMAL SENS. PCB AS	BAETC-0476-1A	1	1B2485476-1A	N <MDF>
EV	U0012	THERMAL SENS. PCB AS	BAETC-0476-1A	1	1B2485476-1A	N <MMR>
EV	U0013	SPACER PCB	BAETC-0477-1A	1	1B2485477-1A	N <MDC>
EV	U0013	SPACER PCB	BAETC-0477-1A	1	1B2485477-1A	N <MMP>
EV	U0013	SPACER PCB	BAETC-0477-1A	1	1B2485477-1A	N <MMA>
EV	U0013	SPACER PCB	BAETC-0477-1A	1	1B2485477-1A	N <MMB>
EV	U0013	SPACER PCB	BAETC-0477-1A	1	1B2485477-1A	N <MMQ>
EV	U0013	SPACER PCB	BAETC-0477-1A	1	1B2485477-1A	N <MDF>
EV	U0013	SPACER PCB	BAETC-0477-1A	1	1B2485477-1A	N <MMR>
EV	U002	U0020 + U0021 + U0022 + U0023 + U0024 + U0025 + U0026 + U0027	BACLA-0480-1A *	1	1B248580-1A	N <MDC>
EV	U002	U0020 + U0021 + U0022 + U0023 + U0024 + U0025 + U0026 + U0027	BACLA-0480-1A *	1	1B248580-1A	N <MMP>
EV	U002	U0020 + U0021 + U0022 + U0023 + U0024 + U0025 + U0026 + U0027	BACLA-0480-1A *	1	1B248580-1A	N <MMA>
EV	U002	U0020 + U0021 + U0022 + U0023 + U0024 + U0025 + U0026 + U0027	BACLA-0480-1A *	1	1B248580-1A	N <MMB>
EV	U002	U0020 + U0021 + U0022 + U0023 + U0024 + U0025 + U0026 + U0027	BACLA-0480-1A *	1	1B248580-1A	N <MMQ>
EV	U002	U0020 + U0021 + U0022 + U0023 + U0024 + U0025 + U0026 + U0027	BACLA-0480-1A *	1	1B248580-1A	N <MDF>
EV	U002	U0020 + U0021 + U0022 + U0023 + U0024 + U0025 + U0026 + U0027	BACLA-0480-1A *	1	1B248580-1A	N <MMR>
EV	U0020	DRIVER AMP. (L/SL/SBL/LH) PCB AS	BACLA-0480-1A	1	1B2485480-1A	N <MDC>
EV	U0020	DRIVER AMP. (L/SL/SBL/LH) PCB AS	BACLA-0480-1A	1	1B2485480-1A	N <MMP>
EV	U0020	DRIVER AMP. (L/SL/SBL/LH) PCB AS	BACLA-0480-1A	1	1B2485480-1A	N <MMA>
EV	U0020	DRIVER AMP. (L/SL/SBL/LH) PCB AS	BACLA-0480-1A	1	1B2485480-1A	N <MMB>
EV	U0020	DRIVER AMP. (L/SL/SBL/LH) PCB AS	BACLA-0480-1A	1	1B2485480-1A	N <MMQ>
EV	U0020	DRIVER AMP. (L/SL/SBL/LH) PCB AS	BACLA-0480-1A	1	1B2485480-1A	N <MDF>
EV	U0020	DRIVER AMP. (L/SL/SBL/LH) PCB AS	BACLA-0480-1A	1	1B2485480-1A	N <MMR>
EV	U0021	DRIVER AMP. (L/SL/SBL/LH) PCB AS	BACLA-0481-1A	1	1B2485481-1A	N <MDC>
EV	U0021	DRIVER AMP. (L/SL/SBL/LH) PCB AS	BACLA-0481-1A	1	1B2485481-1A	N <MMP>
EV	U0021	DRIVER AMP. (L/SL/SBL/LH) PCB AS	BACLA-0481-1A	1	1B2485481-1A	N <MMA>



EV	U0029	POWER SUPPLY PCB AS	BAPS-0489-1A	1	1B2485489-1A	N <MDC>
EV	U0029	POWER SUPPLY PCB AS	BAPS-0489-1A	1	1B2485489-1A	N <MMP>
EV	U0029	POWER SUPPLY PCB AS	BAPS-0489-1A	1	1B2485489-1A	N <MMA>
EV	U0029	POWER SUPPLY PCB AS	BAPS-0489-1A	1	1B2485489-1A	N <MMB>
EV	U0029	POWER SUPPLY PCB AS	BAPS-0489-1A	1	1B2485489-1A	N <MMQ>
EV	U0029	POWER SUPPLY PCB AS	BAPS-0489-1A	1	1B2485489-1A	N <MDF>
EV	U0029	POWER SUPPLY PCB AS	BAPS-0489-1A	1	1B2485489-1A	N <MMR>
EV	U003	U0030 + U0031 + U0032 + U0033	BATRM-0450-1A *	1	1B248550-1A	<MDC>
EV	U003	U0030 + U0031 + U0032 + U0033	BATRM-0450-1B *	1	1B248550-1B	<MMP>
EV	U003	U0030 + U0031 + U0032 + U0033	BATRM-0450-1B *	1	1B248550-1B	<MMA>
EV	U003	U0030 + U0031 + U0032 + U0033	BATRM-0450-1B *	1	1B248550-1B	<MMB>
EV	U003	U0030 + U0031 + U0032 + U0033	BATRM-0450-1B *	1	1B248550-1B	<MMQ>
EV	U003	U0030 + U0031 + U0032 + U0033	BATRM-0450-1A *	1	1B248550-1A	<MDF>
EV	U003	U0030 + U0031 + U0032 + U0033	BATRM-0450-1B *	1	1B248550-1B	<MMR>
EV	U0030	SPEAKER TERMINAL-1 PCB AS	BATRM-0450-1A	1	1B2485450-1A	<MDC>
EV	U0030	SPEAKER TERMINAL-1 PCB AS	BATRM-0450-1B	1	1B2485450-1B	<MMP>
EV	U0030	SPEAKER TERMINAL-1 PCB AS	BATRM-0450-1B	1	1B2485450-1B	<MMA>
EV	U0030	SPEAKER TERMINAL-1 PCB AS	BATRM-0450-1B	1	1B2485450-1B	<MMB>
EV	U0030	SPEAKER TERMINAL-1 PCB AS	BATRM-0450-1B	1	1B2485450-1B	<MMQ>
EV	U0030	SPEAKER TERMINAL-1 PCB AS	BATRM-0450-1A	1	1B2485450-1A	<MDF>
EV	U0030	SPEAKER TERMINAL-1 PCB AS	BATRM-0450-1B	1	1B2485450-1B	<MMR>
EV	U0031	SPEAKER TERMINAL-2 PCB AS	BATRM-0451-1A	1	1B2485451-1A	N <MDC>
EV	U0031	SPEAKER TERMINAL-2 PCB AS	BATRM-0451-1B	1	1B2485451-1B	N <MMP>
EV	U0031	SPEAKER TERMINAL-2 PCB AS	BATRM-0451-1B	1	1B2485451-1B	N <MMA>
EV	U0031	SPEAKER TERMINAL-2 PCB AS	BATRM-0451-1B	1	1B2485451-1B	N <MMB>
EV	U0031	SPEAKER TERMINAL-2 PCB AS	BATRM-0451-1B	1	1B2485451-1B	N <MMQ>
EV	U0031	SPEAKER TERMINAL-2 PCB AS	BATRM-0451-1A	1	1B2485451-1A	N <MDF>
EV	U0031	SPEAKER TERMINAL-2 PCB AS	BATRM-0451-1B	1	1B2485451-1B	N <MMR>
EV	U0032	SPEAKER TERMINAL-3 PCB AS	BATRM-0452-1A	1	1B2485452-1A	N <MDC>
EV	U0032	SPEAKER TERMINAL-3 PCB AS	BATRM-0452-1B	1	1B2485452-1B	N <MMP>
EV	U0032	SPEAKER TERMINAL-3 PCB AS	BATRM-0452-1B	1	1B2485452-1B	N <MMA>
EV	U0032	SPEAKER TERMINAL-3 PCB AS	BATRM-0452-1B	1	1B2485452-1B	N <MMB>
EV	U0032	SPEAKER TERMINAL-3 PCB AS	BATRM-0452-1B	1	1B2485452-1B	N <MMQ>
EV	U0032	SPEAKER TERMINAL-3 PCB AS	BATRM-0452-1A	1	1B2485452-1A	N <MDF>
EV	U0032	SPEAKER TERMINAL-3 PCB AS	BATRM-0452-1B	1	1B2485452-1B	N <MMR>
EV	U0034	POWER SUPPLY PCB AS	BAPS-0454-1A	1	1B2485454-1A	N <MDC>
EV	U0034	POWER SUPPLY PCB AS	BAPS-0454-1B	1	1B2485454-1B	N <MMP>
EV	U0034	POWER SUPPLY PCB AS	BAPS-0454-1B	1	1B2485454-1B	N <MMA>
EV	U0034	POWER SUPPLY PCB AS	BAPS-0454-1B	1	1B2485454-1B	N <MMB>

EV	U0034	POWER SUPPLY PCB AS	BAPS-0454-1B	1	1B2485454-1B	N <MMQ>
EV	U0034	POWER SUPPLY PCB AS	BAPS-0454-1A	1	1B2485454-1A	N <MDF>
EV	U0034	POWER SUPPLY PCB AS	BAPS-0454-1B	1	1B2485454-1B	N <MMR>
EV	<b>U004</b>	<b>U0040 + U0041</b>	<b>BAASP-0458-1D *</b>	<b>1</b>	<b>1B248558-1D</b>	<b>N &lt;MDC&gt;</b>
EV	<b>U004</b>	<b>U0040 + U0041</b>	<b>BAASP-0458-1D *</b>	<b>1</b>	<b>1B248558-1D</b>	<b>N &lt;MMP&gt;</b>
EV	<b>U004</b>	<b>U0040 + U0041</b>	<b>BAASP-0458-1D *</b>	<b>1</b>	<b>1B248558-1D</b>	<b>N &lt;MMA&gt;</b>
EV	<b>U004</b>	<b>U0040 + U0041</b>	<b>BAASP-0458-1D *</b>	<b>1</b>	<b>1B248558-1D</b>	<b>N &lt;MMB&gt;</b>
EV	<b>U004</b>	<b>U0040 + U0041</b>	<b>BAASP-0458-1D *</b>	<b>1</b>	<b>1B248558-1D</b>	<b>N &lt;MMQ&gt;</b>
EV	<b>U004</b>	<b>U0040 + U0041</b>	<b>BAASP-0458-1D *</b>	<b>1</b>	<b>1B248558-1D</b>	<b>N &lt;MDF&gt;</b>
EV	<b>U004</b>	<b>U0040 + U0041</b>	<b>BAASP-0458-1D *</b>	<b>1</b>	<b>1B248558-1D</b>	<b>N &lt;MMR&gt;</b>
EV	U0040	ANALOG AUDIO PCB AS	BAASP-0458-1D	1	1B2485458-1D	N <MDC>
EV	U0040	ANALOG AUDIO PCB AS	BAASP-0458-1D	1	1B2485458-1D	N <MMP>
EV	U0040	ANALOG AUDIO PCB AS	BAASP-0458-1D	1	1B2485458-1D	N <MMA>
EV	U0040	ANALOG AUDIO PCB AS	BAASP-0458-1D	1	1B2485458-1D	N <MMB>
EV	U0040	ANALOG AUDIO PCB AS	BAASP-0458-1D	1	1B2485458-1D	N <MMQ>
EV	U0040	ANALOG AUDIO PCB AS	BAASP-0458-1D	1	1B2485458-1D	N <MDF>
EV	U0040	ANALOG AUDIO PCB AS	BAASP-0458-1D	1	1B2485458-1D	N <MMR>
EV	U0041	D-SUB TERMINAL PCB AS	BAETC-0459-1D	1	1B2485459-1D	N <MDC>
EV	U0041	D-SUB TERMINAL PCB AS	BAETC-0459-1D	1	1B2485459-1D	N <MMP>
EV	U0041	D-SUB TERMINAL PCB AS	BAETC-0459-1D	1	1B2485459-1D	N <MMA>
EV	U0041	D-SUB TERMINAL PCB AS	BAETC-0459-1D	1	1B2485459-1D	N <MMB>
EV	U0041	D-SUB TERMINAL PCB AS	BAETC-0459-1D	1	1B2485459-1D	N <MMQ>
EV	U0041	D-SUB TERMINAL PCB AS	BAETC-0459-1D	1	1B2485459-1D	N <MDF>
EV	U0041	D-SUB TERMINAL PCB AS	BAETC-0459-1D	1	1B2485459-1D	N <MMR>
EV	<b>U005</b>	<b>U0050 + U0051 + U0052 + U0053</b>	<b>BADG-0462-1J *</b>	<b>1</b>	<b>1B248562-1J</b>	<b>N &lt;MDC&gt;</b>
EV	<b>U005</b>	<b>U0050 + U0051 + U0052 + U0053</b>	<b>BADG-0462-1K *</b>	<b>1</b>	<b>1B248562-1K</b>	<b>N &lt;MMP&gt;</b>
EV	<b>U005</b>	<b>U0050 + U0051 + U0052 + U0053</b>	<b>BADG-0462-1K *</b>	<b>1</b>	<b>1B248562-1K</b>	<b>N &lt;MMA&gt;</b>
EV	<b>U005</b>	<b>U0050 + U0051 + U0052 + U0053</b>	<b>BADG-0462-1K *</b>	<b>1</b>	<b>1B248562-1K</b>	<b>N &lt;MMB&gt;</b>
EV	<b>U005</b>	<b>U0050 + U0051 + U0052 + U0053</b>	<b>BADG-0462-1K *</b>	<b>1</b>	<b>1B248562-1K</b>	<b>N &lt;MMQ&gt;</b>
EV	<b>U005</b>	<b>U0050 + U0051 + U0052 + U0053</b>	<b>BADG-0462-1J *</b>	<b>1</b>	<b>1B248562-1J</b>	<b>N &lt;MDF&gt;</b>
EV	<b>U005</b>	<b>U0050 + U0051 + U0052 + U0053</b>	<b>BADG-0462-1K *</b>	<b>1</b>	<b>1B248562-1K</b>	<b>N &lt;MMR&gt;</b>
EV	U0050	DAC PCB AS	BADG-0462-1J	1	1B2485462-1J	N <MDC>
EV	U0050	DAC PCB AS	BADG-0462-1K	1	1B2485462-1K	N <MMP>
EV	U0050	DAC PCB AS	BADG-0462-1K	1	1B2485462-1K	N <MMA>
EV	U0050	DAC PCB AS	BADG-0462-1K	1	1B2485462-1K	N <MMB>
EV	U0050	DAC PCB AS	BADG-0462-1K	1	1B2485462-1K	N <MMQ>
EV	U0050	DAC PCB AS	BADG-0462-1J	1	1B2485462-1J	N <MDF>
EV	U0050	DAC PCB AS	BADG-0462-1K	1	1B2485462-1K	N <MMR>
EV	U0051	CPU PCB AS	BACPU-0463-1J	1	1B2485463-1J	N <MDC>

EV	U0051	CPU PCB AS	BACPU-0463-1K	1	1B2485463-1K	N <MMP>
EV	U0051	CPU PCB AS	BACPU-0463-1K	1	1B2485463-1K	N <MMA>
EV	U0051	CPU PCB AS	BACPU-0463-1K	1	1B2485463-1K	N <MMB>
EV	U0051	CPU PCB AS	BACPU-0463-1K	1	1B2485463-1K	N <MMQ>
EV	U0051	CPU PCB AS	BACPU-0463-1J	1	1B2485463-1J	N <MDF>
EV	U0051	CPU PCB AS	BACPU-0463-1K	1	1B2485463-1K	N <MMR>
EV	U0052	ANALOG VIDEO PCB AS	BAVD-0464-1J	1	1B2485464-1J	N <MDC>
EV	U0052	ANALOG VIDEO PCB AS	BAVD-0464-1K	1	1B2485464-1K	N <MMP>
EV	U0052	ANALOG VIDEO PCB AS	BAVD-0464-1K	1	1B2485464-1K	N <MMA>
EV	U0052	ANALOG VIDEO PCB AS	BAVD-0464-1K	1	1B2485464-1K	N <MMB>
EV	U0052	ANALOG VIDEO PCB AS	BAVD-0464-1K	1	1B2485464-1K	N <MMQ>
EV	U0052	ANALOG VIDEO PCB AS	BAVD-0464-1J	1	1B2485464-1J	N <MDF>
EV	U0052	ANALOG VIDEO PCB AS	BAVD-0464-1K	1	1B2485464-1K	N <MMR>
EV	U0054	UNIVERSAL PORT PCB AS	BAETC-0466-1J	1	1B2485466-1J	N <MDC>
EV	U0054	UNIVERSAL PORT PCB AS	BAETC-0466-1K	1	1B2485466-1K	N <MMP>
EV	U0054	UNIVERSAL PORT PCB AS	BAETC-0466-1K	1	1B2485466-1K	N <MMA>
EV	U0054	UNIVERSAL PORT PCB AS	BAETC-0466-1K	1	1B2485466-1K	N <MMB>
EV	U0054	UNIVERSAL PORT PCB AS	BAETC-0466-1K	1	1B2485466-1K	N <MMQ>
EV	U0054	UNIVERSAL PORT PCB AS	BAETC-0466-1J	1	1B2485466-1J	N <MDF>
EV	U0054	UNIVERSAL PORT PCB AS	BAETC-0466-1K	1	1B2485466-1K	N <MMR>
EV	<b>U006</b>	<b>U0060 + U0061 + U00610</b>	<b>BADIS-0135-2A *</b>	<b>1</b>	<b>1B234535-2A</b>	<b>N &lt;MDC&gt;</b>
EV	<b>U006</b>	<b>U0060 + U0061 + U00610</b>	<b>BADIS-0135-2C *</b>	<b>1</b>	<b>1B234535-2C</b>	<b>N &lt;MMP&gt;</b>
EV	<b>U006</b>	<b>U0060 + U0061 + U00610</b>	<b>BADIS-0135-2C *</b>	<b>1</b>	<b>1B234535-2C</b>	<b>N &lt;MMA&gt;</b>
EV	<b>U006</b>	<b>U0060 + U0061 + U00610</b>	<b>BADIS-0135-2C *</b>	<b>1</b>	<b>1B234535-2C</b>	<b>N &lt;MMB&gt;</b>
EV	<b>U006</b>	<b>U0060 + U0061 + U00610</b>	<b>BADIS-0135-2C *</b>	<b>1</b>	<b>1B234535-2C</b>	<b>N &lt;MMQ&gt;</b>
EV	<b>U006</b>	<b>U0060 + U0061 + U00610</b>	<b>BADIS-0135-2A *</b>	<b>1</b>	<b>1B234535-2A</b>	<b>N &lt;MDF&gt;</b>
EV	<b>U006</b>	<b>U0060 + U0061 + U00610</b>	<b>BADIS-0135-2C *</b>	<b>1</b>	<b>1B234535-2C</b>	<b>N &lt;MMR&gt;</b>
EV	U0060	DISPLAY PCB AS	BADIS-0135-2A	1	1B2485135-2A	N <MDC>
EV	U0060	DISPLAY PCB AS	BADIS-0135-2C	1	1B2485135-2C	N <MMP>
EV	U0060	DISPLAY PCB AS	BADIS-0135-2C	1	1B2485135-2C	N <MMA>
EV	U0060	DISPLAY PCB AS	BADIS-0135-2C	1	1B2485135-2C	N <MMB>
EV	U0060	DISPLAY PCB AS	BADIS-0135-2C	1	1B2485135-2C	N <MMQ>
EV	U0060	DISPLAY PCB AS	BADIS-0135-2A	1	1B2485135-2A	N <MDF>
EV	U0060	DISPLAY PCB AS	BADIS-0135-2C	1	1B2485135-2C	N <MMR>
EV	U0061	SWITCH/ LED PCB AS	BASW-0136-2A	1	1B2485136-2A	<MDC>
EV	U0061	SWITCH/ LED PCB AS	BASW-0136-2C	1	1B2485136-2C	<MMP>
EV	U0061	SWITCH/ LED PCB AS	BASW-0136-2C	1	1B2485136-2C	<MMA>
EV	U0061	SWITCH/ LED PCB AS	BASW-0136-2C	1	1B2485136-2C	<MMB>
EV	U0061	SWITCH/ LED PCB AS	BASW-0136-2C	1	1B2485136-2C	<MMQ>

EV	U0061	SWITCH/ LED PCB AS	BASW-0136-2A	1	1B2485136-2A	<MDF>
EV	U0061	SWITCH/ LED PCB AS	BASW-0136-2C	1	1B2485136-2C	<MMR>
EV	U00610	HOLDER PCB	BAETC-0128-2C	1	1B2485128-2C	<MMP>
EV	U00610	HOLDER PCB	BAETC-0128-2C	1	1B2485128-2C	<MMA>
EV	U00610	HOLDER PCB	BAETC-0128-2C	1	1B2485128-2C	<MMB>
EV	U00610	HOLDER PCB	BAETC-0128-2C	1	1B2485128-2C	<MMQ>
EV	U00610	HOLDER PCB	BAETC-0128-2C	1	1B2485128-2C	<MMR>
EV	U00610	HOLDER PCB	BAETC-0128-2A	1	1B2485128-2A	<MDC>
EV	U00610	HOLDER PCB	BAETC-0128-2A	1	1B2485128-2A	<MDF>
EV	U0062	HP JACK PCB AS	BAETC-0137-2A	1	1B2485137-2A	<MDC>
EV	U0062	HP JACK PCB AS	BAETC-0137-2C	1	1B2485137-2C	<MMP>
EV	U0062	HP JACK PCB AS	BAETC-0137-2C	1	1B2485137-2C	<MMA>
EV	U0062	HP JACK PCB AS	BAETC-0137-2C	1	1B2485137-2C	<MMB>
EV	U0062	HP JACK PCB AS	BAETC-0137-2C	1	1B2485137-2C	<MMQ>
EV	U0062	HP JACK PCB AS	BAETC-0137-2A	1	1B2485137-2A	<MDF>
EV	U0062	HP JACK PCB AS	BAETC-0137-2C	1	1B2485137-2C	<MMR>
EV	U0063	FRONT OPT TERMINAL PCB AS	BAETC-0138-2A	1	1B2485138-2A	<MDC>
EV	U0063	FRONT OPT TERMINAL PCB AS	BAETC-0138-2C	1	1B2485138-2C	<MMP>
EV	U0063	FRONT OPT TERMINAL PCB AS	BAETC-0138-2C	1	1B2485138-2C	<MMA>
EV	U0063	FRONT OPT TERMINAL PCB AS	BAETC-0138-2C	1	1B2485138-2C	<MMB>
EV	U0063	FRONT OPT TERMINAL PCB AS	BAETC-0138-2C	1	1B2485138-2C	<MMQ>
EV	U0063	FRONT OPT TERMINAL PCB AS	BAETC-0138-2A	1	1B2485138-2A	<MDF>
EV	U0063	FRONT OPT TERMINAL PCB AS	BAETC-0138-2C	1	1B2485138-2C	<MMR>
EV	U0064	VOLUME(ROT ENCODER) PCB AS	BAETC-0139-2A	1	1B2485139-2A	<MDC>
EV	U0064	VOLUME(ROT ENCODER) PCB AS	BAETC-0139-2C	1	1B2485139-2C	<MMP>
EV	U0064	VOLUME(ROT ENCODER) PCB AS	BAETC-0139-2C	1	1B2485139-2C	<MMA>
EV	U0064	VOLUME(ROT ENCODER) PCB AS	BAETC-0139-2C	1	1B2485139-2C	<MMB>
EV	U0064	VOLUME(ROT ENCODER) PCB AS	BAETC-0139-2C	1	1B2485139-2C	<MMQ>
EV	U0064	VOLUME(ROT ENCODER) PCB AS	BAETC-0139-2A	1	1B2485139-2A	<MDF>
EV	U0064	VOLUME(ROT ENCODER) PCB AS	BAETC-0139-2C	1	1B2485139-2C	<MMR>
EV	U0065	POWER SUPPLY PCB AS	BAPS-0140-2A	1	1B2485140-2A	<MDC>
EV	U0065	POWER SUPPLY PCB AS	BAPS-0140-2C	1	1B2485140-2C	<MMP>
EV	U0065	POWER SUPPLY PCB AS	BAPS-0140-2C	1	1B2485140-2C	<MMA>
EV	U0065	POWER SUPPLY PCB AS	BAPS-0140-2C	1	1B2485140-2C	<MMB>
EV	U0065	POWER SUPPLY PCB AS	BAPS-0140-2C	1	1B2485140-2C	<MMQ>
EV	U0065	POWER SUPPLY PCB AS	BAPS-0140-2A	1	1B2485140-2A	<MDF>
EV	U0065	POWER SUPPLY PCB AS	BAPS-0140-2C	1	1B2485140-2C	<MMR>
EV	U0069	POWER SWITCH PCB AS	BASW-0143-2C	1	1B2485143-2C	<MMP>
EV	U0069	POWER SWITCH PCB AS	BASW-0143-2C	1	1B2485143-2C	<MMA>

EV	U0069	POWER SWITCH PCB AS	BASW-0143-2C	1	1B2485143-2C	<MMB>
EV	U0069	POWER SWITCH PCB AS	BASW-0143-2C	1	1B2485143-2C	<MMQ>
EV	U0069	POWER SWITCH PCB AS	BASW-0143-2C	1	1B2485143-2C	<MMR>
EV	U0068	HOLDER PCB	BAETC-0142-2A	1	1B2485142-2A	<MDC>
EV	U0068	HOLDER PCB	BAETC-0142-2A	1	1B2485142-2A	<MDF>
EV	U0068	HOLDER PCB	BAETC-0142-2C	1	1B2485142-2C	<MMP>
EV	U0068	HOLDER PCB	BAETC-0142-2C	1	1B2485142-2C	<MMA>
EV	U0068	HOLDER PCB	BAETC-0142-2C	1	1B2485142-2C	<MMB>
EV	U0068	HOLDER PCB	BAETC-0142-2C	1	1B2485142-2C	<MMQ>
EV	U0068	HOLDER PCB	BAETC-0142-2C	1	1B2485142-2C	<MMR>
EV	U0066	HOLDER PCB	BAETC-0144-2C	1	1B2485144-2C	<MMP>
EV	U0066	HOLDER PCB	BAETC-0144-2C	1	1B2485144-2C	<MMA>
EV	U0066	HOLDER PCB	BAETC-0144-2C	1	1B2485144-2C	<MMB>
EV	U0066	HOLDER PCB	BAETC-0144-2C	1	1B2485144-2C	<MMQ>
EV	U0066	HOLDER PCB	BAETC-0144-2C	1	1B2485144-2C	<MMR>
EV	U0067	HOLDER PCB	BAETC-0145-2A	1	1B2485145-2A	<MDC>
EV	U0067	HOLDER PCB	BAETC-0145-2A	1	1B2485145-2A	<MDF>
EV	U0067	HOLDER PCB	BAETC-0145-2C	1	1B2485145-2C	<MMP>
EV	U0067	HOLDER PCB	BAETC-0145-2C	1	1B2485145-2C	<MMA>
EV	U0067	HOLDER PCB	BAETC-0145-2C	1	1B2485145-2C	<MMB>
EV	U0067	HOLDER PCB	BAETC-0145-2C	1	1B2485145-2C	<MMQ>
EV	U0067	HOLDER PCB	BAETC-0145-2C	1	1B2485145-2C	<MMR>
EV	U007	<b>HDMI PCB AS</b>	<b>BAHDM-0471-1B *</b>	<b>1</b>	<b>1B248571-1B</b>	<b>N</b> <MDC>
EV	U007	<b>HDMI PCB AS</b>	<b>BAHDM-0471-1C *</b>	<b>1</b>	<b>1B248571-1C_035962</b>	<MMP>
EV	U007	<b>HDMI PCB AS</b>	<b>BAHDM-0471-1C *</b>	<b>1</b>	<b>1B248571-1C_035962</b>	<MMA>
EV	U007	<b>HDMI PCB AS</b>	<b>BAHDM-0471-1C *</b>	<b>1</b>	<b>1B248571-1C_035962</b>	<MMB>
EV	U007	<b>HDMI PCB AS</b>	<b>BAHDM-0471-1C *</b>	<b>1</b>	<b>1B248571-1C_035962</b>	<MMQ>
EV	U007	<b>HDMI PCB AS</b>	<b>BAHDM-0471-1B *</b>	<b>1</b>	<b>1B248571-1B</b>	<b>N</b> <MDF>
EV	U007	<b>HDMI PCB AS</b>	<b>BAHDM-0471-1C *</b>	<b>1</b>	<b>1B248571-1C_035962</b>	<MMR>
EV	U0081	FRONT HDMI PCB AS	BAHDM-0291-1B	1	1B2485291-1B	<MDC>
EV	U0081	FRONT HDMI PCB AS	BAHDM-0291-1B	1	1B2485291-1B	<MMP>
EV	U0081	FRONT HDMI PCB AS	BAHDM-0291-1B	1	1B2485291-1B	<MMA>
EV	U0081	FRONT HDMI PCB AS	BAHDM-0291-1B	1	1B2485291-1B	<MMB>
EV	U0081	FRONT HDMI PCB AS	BAHDM-0291-1B	1	1B2485291-1B	<MMQ>
EV	U0081	FRONT HDMI PCB AS	BAHDM-0291-1B	1	1B2485291-1B	<MDF>
EV	U0081	FRONT HDMI PCB AS	BAHDM-0291-1B	1	1B2485291-1B	<MMR>
EV	U011	TUNER UNIT	FAEH06-E01EX	1	240165	<B MMA, MMB, MMP, MMQ, MMR / S MMP>
EV	U011	TUNER UNIT	FAEH06-A01US	1	240166	<B MDC, MDF>



TX-NR808

## PC BOARD PARTS LIST

U001	<b>U001</b>	<b>U0010 + U0011 + U0012 + U0013</b>	
U001	<b>U0010</b>	POWER AMP. PC BOARD	BAAMP-0474-1A
U001	<b>U0011</b>	POWER SUPPLY PC BOARD	BAAF-0475-1A
U001	<b>U0012</b>	THERMAL SENS. PC BOARD	BAETC-0476-1A

CIRCUIT NO	PART NAME	DESCRIPTION	Q'TY	PART NO. (SN)	REMARKS
U001	<b>[SEMI CONDUCTOR]</b>				
U001	D6000	DIODE	1	223163T	
U001	D6001	DIODE	1	223163T	
U001	D6004	DIODE	1	223163T	
U001	D6005	DIODE	1	223163T	
U001	D6006	DIODE	1	223163T	
U001	D6007	DIODE	1	223163T	
U001	D6008	DIODE	1	223163T	
U001	D6221	DIODE	1	223163T	
U001	D6222	DIODE	1	223163T	
U001	D6701	DIODE	1	223163T	
U001	D6702	DIODE	1	223163T	
U001	D6703	ZENER D	1	224470362T	
U001	D6704	ZENER D	1	224470362T	
U001	D6713	ZENER D	1	224470362T	
U001	Q6000	TR	1	2213285T	
U001	Q6001	TR	1	2213285T	
U001	Q6004	TR	1	2213285T	
U001	Q6005	TR	1	2213285T	
U001	Q6006	TR	1	2213285T	
U001	Q6007	TR	1	2213285T	
U001	Q6008	TR	1	2213285T	
U001	Q6070	TR	1	2211634T	
U001	Q6071	TR	1	2211634T	
U001	Q6074	TR	1	2211634T	
U001	Q6075	TR	1	2211634T	
U001	Q6076	TR	1	2211634T	
U001	Q6077	TR	1	2211634T	
U001	Q6078	TR	1	2211634T	

U001	Q6226	TR	2SB1240-R	1	2213794T	
U001	Q6380	IC	LM61CIZ	1	22242212	
U001	Q6380A	RETAINER	(PTH)	1	27141884-1	
U001	Q6550	TR	2SC1815-GR	1	2211255T	
U001	Q6551	TR	2SA1358-Y(Q)	1	2212644	
U001	Q6701	TR	2SC2240-BL(TPE2_F)	1	2211406T	
U001	Q6702	TR	2SC2240-BL(TPE2_F)	1	2211406T	
U001	Q6703	TR	2SA970-BL(TPE2_F)	1	2211396T	
U001	Q6713	TR	2SA970-BL(TPE2_F)	1	2211396T	
U001	<b>[TRANS COIL]</b>					
U001	L6800	S-COIL	SC-0.8X5.5X18.5T	1	231431S	N
U001	L6801	S-COIL	SC-0.8X5.5X18.5T	1	231431S	N
U001	L6804	S-COIL	SC-0.8X5.5X18.5T	1	231431S	N
U001	L6805	S-COIL	SC-0.8X5.5X18.5T	1	231431S	N
U001	L6806	S-COIL	SC-0.8X5.5X18.5T	1	231431S	N
U001	L6807	S-COIL	SC-0.8X5.5X18.5T	1	231431S	N
U001	L6808	S-COIL	SC-0.8X5.5X18.5T	1	231431S	N
U001	<b>[CAPACITOR]</b>					
U001	C6040	TF C	ECQ-V50V-104J	1	374721044T	
U001	C6041	TF C	ECQ-V50V-104J	1	374721044T	
U001	C6044	TF C	ECQ-V50V-104J	1	374721044T	
U001	C6045	TF C	ECQ-V50V-104J	1	374721044T	
U001	C6046	TF C	ECQ-V50V-104J	1	374721044T	
U001	C6047	TF C	ECQ-V50V-104J	1	374721044T	
U001	C6048	TF C	ECQ-V50V-104J	1	374721044T	
U001	C6222	UTSP C	CE04W25V-220M(UTSP)	1	397552217T	
U001	C6701	UTSP C	CE04W16V-330M(UTSP)	1	397543317T	
U001	C6703	TF C	ECQ-V50V-223J	1	374722234T	
U001	C6704	UTSP C	CE04W50V-1M(UTSP)	1	397580107T	
U001	C6706	UTSP C	CE04W25V-47M(UTSP)	1	397554707T	
U001	C6713	TF C	ECQ-V50V-223J	1	374722234T	
U001	C6714	UTSP C	CE04W50V-1M(UTSP)	1	397580107T	
U001	C6870	TF C	ECQ-V50V-473J	1	374724734T	
U001	C6871	TF C	ECQ-V50V-473J	1	374724734T	
U001	C6874	TF C	ECQ-V50V-473J	1	374724734T	
U001	C6875	TF C	ECQ-V50V-473J	1	374724734T	
U001	C6876	TF C	ECQ-V50V-473J	1	374724734T	
U001	C6877	TF C	ECQ-V50V-473J	1	374724734T	
U001	C6878	TF C	ECQ-V50V-473J	1	374724734T	

U001	C6901	ELECT C	CE69W71V-15000M	1	3504473	N <B MDC, MDF, MMA, MMB, MMP, MMQ, MMR / S MMP>
U001	C6902	ELECT C	CE69W71V-15000M	1	3504473	N <B MDC, MDF, MMA, MMB, MMP, MMQ, MMR / S MMP>
U001	C6912	TF C	ECQ-V50V-334J	1	374723344T	
U001	C6913	TF C	ECQ-V50V-334J	1	374723344T	
U001	<b>[RESISTOR]</b>					
U001	R6170	CARBON R	R16J-33K	1	417343334T	
U001	R6171	CARBON R	R16J-33K	1	417343334T	
U001	R6174	CARBON R	R16J-33K	1	417343334T	
U001	R6175	CARBON R	R16J-33K	1	417343334T	
U001	R6176	CARBON R	R16J-33K	1	417343334T	
U001	R6177	CARBON R	R16J-33K	1	417343334T	
U001	R6178	CARBON R	R16J-33K	1	417343334T	
U001	R6180	CARBON R	R16J-56K	1	417345634T	
U001	R6181	CARBON R	R16J-56K	1	417345634T	
U001	R6184	CARBON R	R16J-56K	1	417345634T	
U001	R6185	CARBON R	R16J-56K	1	417345634T	
U001	R6186	CARBON R	R16J-56K	1	417345634T	
U001	R6187	CARBON R	R16J-56K	1	417345634T	
U001	R6188	CARBON R	R16J-56K	1	417345634T	
U001	R6190	CARBON R	R16J-10K	1	417341034T	
U001	R6191	CARBON R	R16J-10K	1	417341034T	
U001	R6194	CARBON R	R16J-10K	1	417341034T	
U001	R6195	CARBON R	R16J-10K	1	417341034T	
U001	R6196	CARBON R	R16J-10K	1	417341034T	
U001	R6197	CARBON R	R16J-10K	1	417341034T	
U001	R6198	CARBON R	R16J-10K	1	417341034T	
U001	R6210	CARBON R	R16J-47K	1	417344734T	
U001	R6211	CARBON R	R16J-47K	1	417344734T	
U001	R6214	CARBON R	R16J-47K	1	417344734T	
U001	R6215	CARBON R	R16J-47K	1	417344734T	
U001	R6216	CARBON R	R16J-47K	1	417344734T	
U001	R6217	CARBON R	R16J-47K	1	417344734T	
U001	R6218	CARBON R	R16J-47K	1	417344734T	
U001	R6222	METAL R	RNU1/2WCJ-1	1	453530104T	
U001	R6223	CARBON R	R16J-5.6K	1	417345624T	
U001	R6230	CARBON R	R16J-47K	1	417344734T	
U001	R6231	CARBON R	R16J-47K	1	417344734T	
U001	R6234	CARBON R	R16J-47K	1	417344734T	
U001	R6235	CARBON R	R16J-47K	1	417344734T	

U001	R6236	CARBON R	R16J-47K	1	417344734T
U001	R6237	CARBON R	R16J-47K	1	417344734T
U001	R6238	CARBON R	R16J-47K	1	417344734T
U001	R6400	METAL PR	MPR5W+5W 0R22	1	4000233S
U001	R6401	METAL PR	MPR5W+5W 0R22	1	4000233S
U001	R6404	METAL PR	MPR5W+5W 0R22	1	4000233S
U001	R6405	METAL PR	MPR5W+5W 0R22	1	4000233S
U001	R6406	METAL PR	MPR5W+5W 0R22	1	4000233S
U001	R6407	METAL PR	MPR5W+5W 0R22	1	4000233S
U001	R6408	METAL PR	MPR5W+5W 0R22	1	4000233S
U001	R6550	CARBON R	R16J-4.7K	1	417344724T
U001	R6551	CARBON R	R16J-330	1	417343314T
U001	R6552	CARBON R	R16J-1.8K	1	417341824T
U001	R6553	CARBON R	R16J-1.2K	1	417341224T
U001	R6554	CARBON R	R16J-22K	1	417342234T
U001	R6701	CARBON R	R16J-22K	1	417342234T
U001	R6702	CARBON R	R16J-10K	1	417341034T
U001	R6704	CARBON R	R16J-33K	1	417343334T
U001	R6706	CARBON R	R16J-22K	1	417342234T
U001	R6708	CARBON R	R16J-33K	1	417343334T
U001	R6709	CARBON R	R16J-3.9K	1	417343924T
U001	R6710	CARBON R	R16J-15K	1	417341534T
U001	R6712	CARBON R	R16J-10K	1	417341034T
U001	R6714	CARBON R	R16J-33K	1	417343334T
U001	R6716	CARBON R	R16J-22K	1	417342234T
U001	R6800	METAL O R	RS1/2WBJ-10	1	443521004T
U001	R6801	METAL O R	RS1/2WBJ-10	1	443521004T
U001	R6804	METAL O R	RS1/2WBJ-10	1	443521004T
U001	R6805	METAL O R	RS1/2WBJ-10	1	443521004T
U001	R6806	METAL O R	RS1/2WBJ-10	1	443521004T
U001	R6807	METAL O R	RS1/2WBJ-10	1	443521004T
U001	R6808	METAL O R	RS1/2WBJ-10	1	443521004T
U001	R6820	METAL R	RNU1WCJ-8.2	1	453630824T
U001	R6821	METAL R	RNU1WCJ-8.2	1	453630824T
U001	R6824	METAL R	RNU1WCJ-8.2	1	453630824T
U001	R6825	METAL R	RNU1WCJ-8.2	1	453630824T
U001	R6826	METAL R	RNU1WCJ-8.2	1	453630824T
U001	R6827	METAL R	RNU1WCJ-8.2	1	453630824T
U001	R6828	METAL R	RNU1WCJ-8.2	1	453630824T

U001	[SW TRM]					
U001	JL6041A	WIRE HOL	NSCT-3P874	1	25051087	
U001	JL6041B	WIRE TRAP	NPLG-3P586	1	25055624	
U001	JL6402A	WIRE TRAP	NPLG-3P586	1	25055624	
U001	JL6402B	WIRE HOL	NSCT-3P874	1	25051087	
U001	JL6602A	WIRE HOL	NSCT-3P874	1	25051087	
U001	P4512A	CRIMP AS	CRIMP SR805_1	1	20799169UL	
U001	P5010B	PLUG	NPLG-3P0958	1	25056008	
U001	P5011B	PLUG	NPLG-3P0958	1	25056008	
U001	P5014B	PLUG	NPLG-3P0958	1	25056008	
U001	P5015B	PLUG	NPLG-3P0958	1	25056008	
U001	P5016B	PLUG	NPLG-3P0958	1	25056008	
U001	P5017B	PLUG	NPLG-3P0958	1	25056008	
U001	P5018B	PLUG	NPLG-3P0958	1	25056008	
U001	P5020B	TRM	NTM-1P232(M1700)	1	25060301	
U001	P5021B	TRM	NTM-1P232(M1700)	1	25060301	
U001	P5024B	TRM	NTM-1P232(M1700)	1	25060301	
U001	P5025B	TRM	NTM-1P232(M1700)	1	25060301	
U001	P5026B	TRM	NTM-1P232(M1700)	1	25060301	
U001	P5027B	TRM	NTM-1P232(M1700)	1	25060301	
U001	P5028B	TRM	NTM-1P232(M1700)	1	25060301	
U001	P6030A	PLUG	IMSA-9115B-09	1	25056339	N
U001	P6031A	PLUG	IMSA-9115B-09	1	25056339	N
U001	P6034A	PLUG	IMSA-9115B-09	1	25056339	N
U001	P6035A	PLUG	IMSA-9115B-09	1	25056339	N
U001	P6036A	PLUG	IMSA-9115B-09	1	25056339	N
U001	P6037A	PLUG	IMSA-9115B-09	1	25056339	N
U001	P6038A	PLUG	IMSA-9115B-09	1	25056339	N
U001	P6050	PLUG	IMSA-9201B-1-06Z388-PT1	1	25056614	
U001	P6051	PLUG	IMSA-9201B-1-06Z388-PT1	1	25056614	
U001	P6054	PLUG	IMSA-9201B-1-06Z388-PT1	1	25056614	
U001	P6055	PLUG	IMSA-9201B-1-06Z388-PT1	1	25056614	
U001	P6056	PLUG	IMSA-9201B-1-06Z388-PT1	1	25056614	
U001	P6057	PLUG	IMSA-9201B-1-06Z388-PT1	1	25056614	
U001	P6058	PLUG	IMSA-9201B-1-06Z388-PT1	1	25056614	
U001	P6060	PLUG	IMSA-9201B-1-06Z388-PT1	1	25056614	
U001	P6061	PLUG	IMSA-9201B-1-06Z388-PT1	1	25056614	
U001	P6064	PLUG	IMSA-9201B-1-06Z388-PT1	1	25056614	
U001	P6065	PLUG	IMSA-9201B-1-06Z388-PT1	1	25056614	

U001	P6066	PLUG	IMSA-9201B-1-06Z388-PT1	1	25056614	
U001	P6067	PLUG	IMSA-9201B-1-06Z388-PT1	1	25056614	
U001	P6068	PLUG	IMSA-9201B-1-06Z388-PT1	1	25056614	
U001	P6070	PLUG	NPLG-2P645	1	25055689	
U001	P6071	PLUG	NPLG-2P645	1	25055689	
U001	P6074	PLUG	NPLG-2P645	1	25055689	
U001	P6075	PLUG	NPLG-2P645	1	25055689	
U001	P6076	PLUG	NPLG-2P645	1	25055689	
U001	P6077	PLUG	NPLG-2P645	1	25055689	
U001	P6078	PLUG	NPLG-2P645	1	25055689	
U001	P6340A	SOCKET AS	NSAS-4P1836	1	2009991182UL	N
U001	P6340B	PLUG	NPLG-2P631	1	25055675	
U001	P6350	RETAINER	(BUS-P)	1	27142160	
U001	P6360	RETAINER	(BUS-P)	1	27142160	
U001	P6400	RETAINER	(BUS-D)	1	27142184	N
U001	P6550	PLUG	NPLG-2P83	1	25055099	
U001	P6560	PLUG	NPLG-2P83	1	25055099	
U001	P6600	SOCKET AS	NSAS-14P1849	1	2009991185UL	N <B MDC, MDF, MMA, MMB, MMP, MMQ, MMR / S MMP>
U001	P6601	SOCKET AS	NSAS-6P1826	1	2009991178UL	N
U001	P6606A	SOCKET AS	NSAS-18P1857	1	20099911815UL	N
U001	P4517A	SOCKET AS	NSAS-30P1851	1	2009991187UL	N <B MDC, MDF, MMA, MMB, MMP, MMQ, MMR / S MMP>
U001	P6603A	SOCKET AS	NSAS-22P1850	1	2009991186UL	N <B MDC, MDF, MMA, MMB, MMP, MMQ, MMR / S MMP>

U002	<b>U002</b>	<b>U0020 + U0021 + U0022 + U0023 + U0024 + U0025 + U0026 + U0027</b>			
U002	<b>U0020</b>	DRIVER AMP. (L/SL/SBL/LH) PC BOARD	BACLA-0480-1A		
U002	<b>U0021</b>	DRIVER AMP. (L/SL/SBL/LH) PC BOARD	BACLA-0481-1A		
U002	<b>U0022</b>	DRIVER AMP. (L/SL/SBL/LH) PC BOARD	BACLA-0482-1A		
U002	<b>U0024</b>	DRIVER AMP. (R/SR/SBR/RH/C) PC BOARD	BACLA-0484-1A		
U002	<b>U0025</b>	DRIVER AMP. (R/SR/SBR/RH/C) PC BOARD	BACLA-0485-1A		
U002	<b>U0026</b>	DRIVER AMP. (R/SR/SBR/RH/C) PC BOARD	BACLA-0486-1A		
U002	<b>U0027</b>	DRIVER AMP. (R/SR/SBR/RH/C) PC BOARD	BACLA-0487-1A		
U002	<b>U0029</b>	POWER SUPPLY PCB AS	BAPS-0489-1A		

CIRCUIT NO	PART NAME	DESCRIPTION	Q'TY	PART NO. (SN)	REMARKS
U002	<b>[SEMI CONDUCTOR]</b>				
U002	D5000	ZENER D	1	224470562T	
U002	D5001	ZENER D	1	224470562T	
U002	D5002	ZENER D	1	224470562T	
U002	D5003	ZENER D	1	224470562T	

U002	D5004	ZENER D	MTZJ5.6B	1	224470562T
U002	D5005	ZENER D	MTZJ5.6B	1	224470562T
U002	D5006	ZENER D	MTZJ5.6B	1	224470562T
U002	D6902	DIODE	ISS133	1	223163T
U002	D6904	DIODE	RL1N4003	1	22380260T
U002	D6905	DIODE	RL1N4003	1	22380260T
U002	Q5000	TR	2SC2240-BL(TPE2_F)	1	2211406T
U002	Q5001	TR	2SC2240-BL(TPE2_F)	1	2211406T
U002	Q5002	TR	2SC2240-BL(TPE2_F)	1	2211406T
U002	Q5003	TR	2SC2240-BL(TPE2_F)	1	2211406T
U002	Q5004	TR	2SC2240-BL(TPE2_F)	1	2211406T
U002	Q5005	TR	2SC2240-BL(TPE2_F)	1	2211406T
U002	Q5006	TR	2SC2240-BL(TPE2_F)	1	2211406T
U002	Q5010	TR	2SC2240-BL(TPE2_F)	1	2211406T
U002	Q5011	TR	2SC2240-BL(TPE2_F)	1	2211406T
U002	Q5012	TR	2SC2240-BL(TPE2_F)	1	2211406T
U002	Q5013	TR	2SC2240-BL(TPE2_F)	1	2211406T
U002	Q5014	TR	2SC2240-BL(TPE2_F)	1	2211406T
U002	Q5015	TR	2SC2240-BL(TPE2_F)	1	2211406T
U002	Q5016	TR	2SC2240-BL(TPE2_F)	1	2211406T
U002	Q5020	TR	2SC2240-BL(TPE2_F)	1	2211406T
U002	Q5021	TR	2SC2240-BL(TPE2_F)	1	2211406T
U002	Q5022	TR	2SC2240-BL(TPE2_F)	1	2211406T
U002	Q5023	TR	2SC2240-BL(TPE2_F)	1	2211406T
U002	Q5024	TR	2SC2240-BL(TPE2_F)	1	2211406T
U002	Q5025	TR	2SC2240-BL(TPE2_F)	1	2211406T
U002	Q5026	TR	2SC2240-BL(TPE2_F)	1	2211406T
U002	Q5030	TR	2SA949-O(TPE6_F)	1	2211353T
U002	Q5030 or	TR	2SA949-Y(TPE6_F)	(1)	2211354T
U002	Q5031	TR	2SA949-O(TPE6_F)	1	2211353T
U002	Q5031 or	TR	2SA949-Y(TPE6_F)	(1)	2211354T
U002	Q5032	TR	2SA949-O(TPE6_F)	1	2211353T
U002	Q5032 or	TR	2SA949-Y(TPE6_F)	(1)	2211354T
U002	Q5033	TR	2SA949-O(TPE6_F)	1	2211353T
U002	Q5033 or	TR	2SA949-Y(TPE6_F)	(1)	2211354T
U002	Q5034	TR	2SA949-O(TPE6_F)	1	2211353T
U002	Q5034 or	TR	2SA949-Y(TPE6_F)	(1)	2211354T
U002	Q5035	TR	2SA949-O(TPE6_F)	1	2211353T
U002	Q5035 or	TR	2SA949-Y(TPE6_F)	(1)	2211354T

U002	Q5036	TR	2SA949-O(TPE6_F)	1	2211353T
U002	Q5036 or	TR	2SA949-Y(TPE6_F)	(1)	2211354T
U002	Q5040	TR	2SA949-O(TPE6_F)	1	2211353T
U002	Q5040 or	TR	2SA949-Y(TPE6_F)	(1)	2211354T
U002	Q5041	TR	2SA949-O(TPE6_F)	1	2211353T
U002	Q5041 or	TR	2SA949-Y(TPE6_F)	(1)	2211354T
U002	Q5042	TR	2SA949-O(TPE6_F)	1	2211353T
U002	Q5042 or	TR	2SA949-Y(TPE6_F)	(1)	2211354T
U002	Q5043	TR	2SA949-O(TPE6_F)	1	2211353T
U002	Q5043 or	TR	2SA949-Y(TPE6_F)	(1)	2211354T
U002	Q5044	TR	2SA949-O(TPE6_F)	1	2211353T
U002	Q5044 or	TR	2SA949-Y(TPE6_F)	(1)	2211354T
U002	Q5045	TR	2SA949-O(TPE6_F)	1	2211353T
U002	Q5045 or	TR	2SA949-Y(TPE6_F)	(1)	2211354T
U002	Q5046	TR	2SA949-O(TPE6_F)	1	2211353T
U002	Q5046 or	TR	2SA949-Y(TPE6_F)	(1)	2211354T
U002	Q5050	TR	2SA1360-Y	1	2202094
U002	Q5050 or	TR	2SA1360-O	(1)	2202093
U002	Q5051	TR	2SA1360-Y	1	2202094
U002	Q5051 or	TR	2SA1360-O	(1)	2202093
U002	Q5052	TR	2SA1360-Y	1	2202094
U002	Q5052 or	TR	2SA1360-O	(1)	2202093
U002	Q5053	TR	2SA1360-Y	1	2202094
U002	Q5053 or	TR	2SA1360-O	(1)	2202093
U002	Q5054	TR	2SA1360-Y	1	2202094
U002	Q5054 or	TR	2SA1360-O	(1)	2202093
U002	Q5055	TR	2SA1360-Y	1	2202094
U002	Q5055 or	TR	2SA1360-O	(1)	2202093
U002	Q5056	TR	2SA1360-Y	1	2202094
U002	Q5056 or	TR	2SA1360-O	(1)	2202093
U002	Q5080	TR	2SC3423-Y	1	2202104
U002	Q5080 or	TR	2SC3423-O	(1)	2202103
U002	Q5081	TR	2SC3423-Y	1	2202104
U002	Q5081 or	TR	2SC3423-O	(1)	2202103
U002	Q5082	TR	2SC3423-Y	1	2202104
U002	Q5082 or	TR	2SC3423-O	(1)	2202103
U002	Q5083	TR	2SC3423-Y	1	2202104
U002	Q5083 or	TR	2SC3423-O	(1)	2202103
U002	Q5084	TR	2SC3423-Y	1	2202104



U002	Q5084 or	TR	2SC3423-O	(1)	2202103
U002	Q5085	TR	2SC3423-Y	1	2202104
U002	Q5085 or	TR	2SC3423-O	(1)	2202103
U002	Q5086	TR	2SC3423-Y	1	2202104
U002	Q5086 or	TR	2SC3423-O	(1)	2202103
U002	Q6010	TR	2SC1740S-S	1	2213285T
U002	Q6011	TR	2SC1740S-S	1	2213285T
U002	Q6012	TR	2SC1740S-S	1	2213285T
U002	Q6013	TR	2SC1740S-S	1	2213285T
U002	Q6014	TR	2SC1740S-S	1	2213285T
U002	Q6015	TR	2SC1740S-S	1	2213285T
U002	Q6016	TR	2SC1740S-S	1	2213285T
U002	Q6030	TR	2SC2229-O(TPE6_F)	1	2211633T
U002	Q6030 or	TR	2SC2229-Y(TPE6_F)	(1)	2211634T
U002	Q6031	TR	2SC2229-O(TPE6_F)	1	2211633T
U002	Q6031 or	TR	2SC2229-Y(TPE6_F)	(1)	2211634T
U002	Q6032	TR	2SC2229-O(TPE6_F)	1	2211633T
U002	Q6032 or	TR	2SC2229-Y(TPE6_F)	(1)	2211634T
U002	Q6033	TR	2SC2229-O(TPE6_F)	1	2211633T
U002	Q6033 or	TR	2SC2229-Y(TPE6_F)	(1)	2211634T
U002	Q6034	TR	2SC2229-O(TPE6_F)	1	2211633T
U002	Q6034 or	TR	2SC2229-Y(TPE6_F)	(1)	2211634T
U002	Q6035	TR	2SC2229-O(TPE6_F)	1	2211633T
U002	Q6035 or	TR	2SC2229-Y(TPE6_F)	(1)	2211634T
U002	Q6036	TR	2SC2229-O(TPE6_F)	1	2211633T
U002	Q6036 or	TR	2SC2229-Y(TPE6_F)	(1)	2211634T
U002	Q6040	TR	2SA949-O(TPE6_F)	1	2211353T
U002	Q6040 or	TR	2SA949-Y(TPE6_F)	(1)	2211354T
U002	Q6041	TR	2SA949-O(TPE6_F)	1	2211353T
U002	Q6041 or	TR	2SA949-Y(TPE6_F)	(1)	2211354T
U002	Q6042	TR	2SA949-O(TPE6_F)	1	2211353T
U002	Q6042 or	TR	2SA949-Y(TPE6_F)	(1)	2211354T
U002	Q6043	TR	2SA949-O(TPE6_F)	1	2211353T
U002	Q6043 or	TR	2SA949-Y(TPE6_F)	(1)	2211354T
U002	Q6044	TR	2SA949-O(TPE6_F)	1	2211353T
U002	Q6044 or	TR	2SA949-Y(TPE6_F)	(1)	2211354T
U002	Q6045	TR	2SA949-O(TPE6_F)	1	2211353T
U002	Q6045 or	TR	2SA949-Y(TPE6_F)	(1)	2211354T
U002	Q6046	TR	2SA949-O(TPE6_F)	1	2211353T

U002	Q6046 or	TR	2SA949-Y(TPE6_F)	(1)	2211354T
U002	Q6100	TR	TTA-004(Q)TO126	1	2217442
U002	Q6101	TR	TTA-004(Q)TO126	1	2217442
U002	Q6102	TR	TTA-004(Q)TO126	1	2217442
U002	Q6103	TR	TTA-004(Q)TO126	1	2217442
U002	Q6104	TR	TTA-004(Q)TO126	1	2217442
U002	Q6105	TR	TTA-004(Q)TO126	1	2217442
U002	Q6106	TR	TTA-004(Q)TO126	1	2217442
U002	Q6110	TR	TTC-004(Q)TO126	1	2217452
U002	Q6111	TR	TTC-004(Q)TO126	1	2217452
U002	Q6112	TR	TTC-004(Q)TO126	1	2217452
U002	Q6113	TR	TTC-004(Q)TO126	1	2217452
U002	Q6114	TR	TTC-004(Q)TO126	1	2217452
U002	Q6115	TR	TTC-004(Q)TO126	1	2217452
U002	Q6116	TR	TTC-004(Q)TO126	1	2217452
U002	Q6707	TR	2SC1815-GR	1	2211255T
U002	<b>[CHASSIS SCREW]</b>				
U002	Q5080A	HEAT SINK	(CLA)B	1	27160642A
U002	Q5080B	SCREW	3TTB+8B(3BC)	4	838430088GR
U002	Q5081A	HEAT SINK	(CLA)B	1	27160642A
U002	Q5081B	SCREW	3TTB+8B(3BC)	4	838430088GR
U002	Q5082A	HEAT SINK	(CLA)B	1	27160642A
U002	Q5082B	SCREW	3TTB+8B(3BC)	4	838430088GR
U002	Q5083A	HEAT SINK	(CLA)B	1	27160642A
U002	Q5083B	SCREW	3TTB+8B(3BC)	4	838430088GR
U002	Q5084A	HEAT SINK	(CLA)B	1	27160642A
U002	Q5084B	SCREW	3TTB+8B(3BC)	4	838430088GR
U002	Q5085A	HEAT SINK	(CLA)B	1	27160642A
U002	Q5085B	SCREW	3TTB+8B(3BC)	4	838430088GR
U002	Q5086A	HEAT SINK	(CLA)B	1	27160642A
U002	Q5086B	SCREW	3TTB+8B(3BC)	4	838430088GR
U002	<b>[TRANS COIL]</b>				
U002	L6000	FR CORE	---	1	5597-45502
U002	L6001	FR CORE	---	1	5597-45502
U002	L6002	FR CORE	---	1	5597-45502
U002	L6003	FR CORE	---	1	5597-45502
U002	L6004	FR CORE	---	1	5597-45502
U002	L6005	FR CORE	---	1	5597-45502
U002	L6006	FR CORE	---	1	5597-45502

U002	L6010	FR CORE	---	1	5597-45502
U002	L6011	FR CORE	---	1	5597-45502
U002	L6012	FR CORE	---	1	5597-45502
U002	L6013	FR CORE	---	1	5597-45502
U002	L6014	FR CORE	---	1	5597-45502
U002	L6015	FR CORE	---	1	5597-45502
U002	L6016	FR CORE	---	1	5597-45502
U002	<b>[CAPACITOR]</b>				
U002	C5000	UTSP C	CE04W50V-10M(UTSP)	1	397581007T
U002	C5001	UTSP C	CE04W50V-10M(UTSP)	1	397581007T
U002	C5002	UTSP C	CE04W50V-10M(UTSP)	1	397581007T
U002	C5003	UTSP C	CE04W50V-10M(UTSP)	1	397581007T
U002	C5004	UTSP C	CE04W50V-10M(UTSP)	1	397581007T
U002	C5005	UTSP C	CE04W50V-10M(UTSP)	1	397581007T
U002	C5006	UTSP C	CE04W50V-10M(UTSP)	1	397581007T
U002	C5010	UTSP C	CE04W50V 47M(UTSP)	1	397584707T
U002	C5011	UTSP C	CE04W50V 47M(UTSP)	1	397584707T
U002	C5012	UTSP C	CE04W50V 47M(UTSP)	1	397584707T
U002	C5013	UTSP C	CE04W50V 47M(UTSP)	1	397584707T
U002	C5014	UTSP C	CE04W50V 47M(UTSP)	1	397584707T
U002	C5015	UTSP C	CE04W50V 47M(UTSP)	1	397584707T
U002	C5016	UTSP C	CE04W50V 47M(UTSP)	1	397584707T
U002	C5020	UPZ C	2AUPZTF471JE	1	376334714T
U002	C5021	UPZ C	2AUPZTF471JE	1	376334714T
U002	C5022	UPZ C	2AUPZTF471JE	1	376334714T
U002	C5023	UPZ C	2AUPZTF471JE	1	376334714T
U002	C5024	UPZ C	2AUPZTF471JE	1	376334714T
U002	C5025	UPZ C	2AUPZTF471JE	1	376334714T
U002	C5026	UPZ C	2AUPZTF471JE	1	376334714T
U002	C5040	UTSP C	CE04W25V-220M(UTSP)	1	397552217T
U002	C5041	UTSP C	CE04W25V-220M(UTSP)	1	397552217T
U002	C5042	UTSP C	CE04W25V-220M(UTSP)	1	397552217T
U002	C5043	UTSP C	CE04W25V-220M(UTSP)	1	397552217T
U002	C5044	UTSP C	CE04W25V-220M(UTSP)	1	397552217T
U002	C5045	UTSP C	CE04W25V-220M(UTSP)	1	397552217T
U002	C5046	UTSP C	CE04W25V-220M(UTSP)	1	397552217T
U002	C5100	UPZ C	2AUPZTF101JE	1	376331014T
U002	C5101	UPZ C	2AUPZTF101JE	1	376331014T
U002	C5102	UPZ C	2AUPZTF101JE	1	376331014T

U002	C5103	UPZ C	2AUPZTF101JE	1	376331014T
U002	C5104	UPZ C	2AUPZTF101JE	1	376331014T
U002	C5105	UPZ C	2AUPZTF101JE	1	376331014T
U002	C5106	UPZ C	2AUPZTF101JE	1	376331014T
U002	C5110	CERA C	CC45SL50V-040C	1	345020401T
U002	C5111	CERA C	CC45SL50V-040C	1	345020401T
U002	C5112	CERA C	CC45SL50V-040C	1	345020401T
U002	C5113	CERA C	CC45SL50V-040C	1	345020401T
U002	C5114	CERA C	CC45SL50V-040C	1	345020401T
U002	C5115	CERA C	CC45SL50V-040C	1	345020401T
U002	C5116	CERA C	CC45SL50V-040C	1	345020401T
U002	C5120	VR C	CE04W100V-22M(VR)	1	394692207T
U002	C5121	VR C	CE04W100V-22M(VR)	1	394692207T
U002	C5122	VR C	CE04W100V-22M(VR)	1	394692207T
U002	C5123	VR C	CE04W100V-22M(VR)	1	394692207T
U002	C5124	VR C	CE04W100V-22M(VR)	1	394692207T
U002	C5125	VR C	CE04W100V-22M(VR)	1	394692207T
U002	C5126	VR C	CE04W100V-22M(VR)	1	394692207T
U002	C5130	VR C	CE04W100V-22M(VR)	1	394692207T
U002	C5131	VR C	CE04W100V-22M(VR)	1	394692207T
U002	C5132	VR C	CE04W100V-22M(VR)	1	394692207T
U002	C5133	VR C	CE04W100V-22M(VR)	1	394692207T
U002	C5134	VR C	CE04W100V-22M(VR)	1	394692207T
U002	C5135	VR C	CE04W100V-22M(VR)	1	394692207T
U002	C5136	VR C	CE04W100V-22M(VR)	1	394692207T
U002	C6000	MKT C	B32529C0102J289	1	376491024T
U002	C6001	MKT C	B32529C0102J289	1	376491024T
U002	C6002	MKT C	B32529C0102J289	1	376491024T
U002	C6003	MKT C	B32529C0102J289	1	376491024T
U002	C6004	MKT C	B32529C0102J289	1	376491024T
U002	C6005	MKT C	B32529C0102J289	1	376491024T
U002	C6006	MKT C	B32529C0102J289	1	376491024T
U002	C6010	UTSP C	CE04W50V 47M(UTSP)	1	397584707T
U002	C6011	UTSP C	CE04W50V 47M(UTSP)	1	397584707T
U002	C6012	UTSP C	CE04W50V 47M(UTSP)	1	397584707T
U002	C6013	UTSP C	CE04W50V 47M(UTSP)	1	397584707T
U002	C6014	UTSP C	CE04W50V 47M(UTSP)	1	397584707T
U002	C6015	UTSP C	CE04W50V 47M(UTSP)	1	397584707T
U002	C6016	UTSP C	CE04W50V 47M(UTSP)	1	397584707T

U002	C6020	UTSP C	CE04W50V-22M(UTSP)	1	397582207T
U002	C6021	UTSP C	CE04W50V-22M(UTSP)	1	397582207T
U002	C6022	UTSP C	CE04W50V-22M(UTSP)	1	397582207T
U002	C6023	UTSP C	CE04W50V-22M(UTSP)	1	397582207T
U002	C6024	UTSP C	CE04W50V-22M(UTSP)	1	397582207T
U002	C6025	UTSP C	CE04W50V-22M(UTSP)	1	397582207T
U002	C6026	UTSP C	CE04W50V-22M(UTSP)	1	397582207T
U002	C6904	TF C	ECQ-V50V-334J	1	374723344T
U002	C6905	VR C	CE04W35V-470M(VR)	1	394664717T
U002	C6911	MKT C	B32529C0102J289	1	376491024T
U002	<b>[RESISTOR]</b>				
U002	R5000	CARBON R	R16J-1K	1	417341024T
U002	R5001	CARBON R	R16J-1K	1	417341024T
U002	R5002	CARBON R	R16J-1K	1	417341024T
U002	R5003	CARBON R	R16J-1K	1	417341024T
U002	R5004	CARBON R	R16J-1K	1	417341024T
U002	R5005	CARBON R	R16J-1K	1	417341024T
U002	R5006	CARBON R	R16J-1K	1	417341024T
U002	R5010	CARBON R	R16J-56K	1	417345634T
U002	R5011	CARBON R	R16J-56K	1	417345634T
U002	R5012	CARBON R	R16J-56K	1	417345634T
U002	R5013	CARBON R	R16J-56K	1	417345634T
U002	R5014	CARBON R	R16J-56K	1	417345634T
U002	R5015	CARBON R	R16J-56K	1	417345634T
U002	R5016	CARBON R	R16J-56K	1	417345634T
U002	R5020	CARBON R	R16J-330	1	417343314T
U002	R5021	CARBON R	R16J-330	1	417343314T
U002	R5022	CARBON R	R16J-330	1	417343314T
U002	R5023	CARBON R	R16J-330	1	417343314T
U002	R5024	CARBON R	R16J-330	1	417343314T
U002	R5025	CARBON R	R16J-330	1	417343314T
U002	R5026	CARBON R	R16J-330	1	417343314T
U002	R5030	CARBON R	R16J-330	1	417343314T
U002	R5031	CARBON R	R16J-330	1	417343314T
U002	R5032	CARBON R	R16J-330	1	417343314T
U002	R5033	CARBON R	R16J-330	1	417343314T
U002	R5034	CARBON R	R16J-330	1	417343314T
U002	R5035	CARBON R	R16J-330	1	417343314T
U002	R5036	CARBON R	R16J-330	1	417343314T

U002	R5040	CARBON R	R16J-330	1	417343314T
U002	R5041	CARBON R	R16J-330	1	417343314T
U002	R5042	CARBON R	R16J-330	1	417343314T
U002	R5043	CARBON R	R16J-330	1	417343314T
U002	R5044	CARBON R	R16J-330	1	417343314T
U002	R5045	CARBON R	R16J-330	1	417343314T
U002	R5046	CARBON R	R16J-330	1	417343314T
U002	R5050	CARBON R	R16J-5.6K	1	417345624T
U002	R5051	CARBON R	R16J-5.6K	1	417345624T
U002	R5052	CARBON R	R16J-5.6K	1	417345624T
U002	R5053	CARBON R	R16J-5.6K	1	417345624T
U002	R5054	CARBON R	R16J-5.6K	1	417345624T
U002	R5055	CARBON R	R16J-5.6K	1	417345624T
U002	R5056	CARBON R	R16J-5.6K	1	417345624T
U002	R5060	CARBON R	R16J-2.7K	1	417342724T
U002	R5061	CARBON R	R16J-2.7K	1	417342724T
U002	R5062	CARBON R	R16J-2.7K	1	417342724T
U002	R5063	CARBON R	R16J-2.7K	1	417342724T
U002	R5064	CARBON R	R16J-2.7K	1	417342724T
U002	R5065	CARBON R	R16J-2.7K	1	417342724T
U002	R5066	CARBON R	R16J-2.7K	1	417342724T
U002	R5070	CARBON R	R16J-100K	1	417341044T
U002	R5071	CARBON R	R16J-100K	1	417341044T
U002	R5072	CARBON R	R16J-100K	1	417341044T
U002	R5073	CARBON R	R16J-100K	1	417341044T
U002	R5074	CARBON R	R16J-100K	1	417341044T
U002	R5075	CARBON R	R16J-100K	1	417341044T
U002	R5076	CARBON R	R16J-100K	1	417341044T
U002	R5090	CARBON R	R16J-1.8K	1	417341824T
U002	R5091	CARBON R	R16J-1.8K	1	417341824T
U002	R5092	CARBON R	R16J-1.8K	1	417341824T
U002	R5093	CARBON R	R16J-1.8K	1	417341824T
U002	R5094	CARBON R	R16J-1.8K	1	417341824T
U002	R5095	CARBON R	R16J-1.8K	1	417341824T
U002	R5096	CARBON R	R16J-1.8K	1	417341824T
U002	R5110	CARBON R	R16J-2.2K	1	417342224T
U002	R5111	CARBON R	R16J-2.2K	1	417342224T
U002	R5112	CARBON R	R16J-2.2K	1	417342224T
U002	R5113	CARBON R	R16J-2.2K	1	417342224T

U002	R5114	CARBON R	R16J-2.2K	1	417342224T
U002	R5115	CARBON R	R16J-2.2K	1	417342224T
U002	R5116	CARBON R	R16J-2.2K	1	417342224T
U002	R5120	CARBON R	R16J-2.2K	1	417342224T
U002	R5121	CARBON R	R16J-2.2K	1	417342224T
U002	R5122	CARBON R	R16J-2.2K	1	417342224T
U002	R5123	CARBON R	R16J-2.2K	1	417342224T
U002	R5124	CARBON R	R16J-2.2K	1	417342224T
U002	R5125	CARBON R	R16J-2.2K	1	417342224T
U002	R5126	CARBON R	R16J-2.2K	1	417342224T
U002	R5130	NF CARBON R	R25J-820	1	415478214T
U002	R5131	NF CARBON R	R25J-820	1	415478214T
U002	R5132	NF CARBON R	R25J-820	1	415478214T
U002	R5133	NF CARBON R	R25J-820	1	415478214T
U002	R5134	NF CARBON R	R25J-820	1	415478214T
U002	R5135	NF CARBON R	R25J-820	1	415478214T
U002	R5136	NF CARBON R	R25J-820	1	415478214T
U002	R5140	NF CARBON R	R25J-820	1	415478214T
U002	R5141	NF CARBON R	R25J-820	1	415478214T
U002	R5142	NF CARBON R	R25J-820	1	415478214T
U002	R5143	NF CARBON R	R25J-820	1	415478214T
U002	R5144	NF CARBON R	R25J-820	1	415478214T
U002	R5145	NF CARBON R	R25J-820	1	415478214T
U002	R5146	NF CARBON R	R25J-820	1	415478214T
U002	R5150	METAL O R	RS1/2WBJ-1K	1	443521024T
U002	R5151	METAL O R	RS1/2WBJ-1K	1	443521024T
U002	R5152	METAL O R	RS1/2WBJ-1K	1	443521024T
U002	R5153	METAL O R	RS1/2WBJ-1K	1	443521024T
U002	R5154	METAL O R	RS1/2WBJ-1K	1	443521024T
U002	R5155	METAL O R	RS1/2WBJ-1K	1	443521024T
U002	R5156	METAL O R	RS1/2WBJ-1K	1	443521024T
U002	R5170	NF CARBON R	R25J-820	1	415478214T
U002	R5171	NF CARBON R	R25J-820	1	415478214T
U002	R5172	NF CARBON R	R25J-820	1	415478214T
U002	R5173	NF CARBON R	R25J-820	1	415478214T
U002	R5174	NF CARBON R	R25J-820	1	415478214T
U002	R5175	NF CARBON R	R25J-820	1	415478214T
U002	R5176	NF CARBON R	R25J-820	1	415478214T
U002	R5180	NF CARBON R	R25J-33	1	415473304T

U002	R5181	NF CARBON R	R25J-33	1	415473304T
U002	R5182	NF CARBON R	R25J-33	1	415473304T
U002	R5183	NF CARBON R	R25J-33	1	415473304T
U002	R5184	NF CARBON R	R25J-33	1	415473304T
U002	R5185	NF CARBON R	R25J-33	1	415473304T
U002	R5186	NF CARBON R	R25J-33	1	415473304T
U002	R5210	CARBON R	R16J-18K	1	417341834T
U002	R5211	CARBON R	R16J-18K	1	417341834T
U002	R5212	CARBON R	R16J-18K	1	417341834T
U002	R5213	CARBON R	R16J-18K	1	417341834T
U002	R5214	CARBON R	R16J-18K	1	417341834T
U002	R5215	CARBON R	R16J-18K	1	417341834T
U002	R5216	CARBON R	R16J-18K	1	417341834T
U002	R5220	CARBON R	R16J-18K	1	417341834T
U002	R5221	CARBON R	R16J-18K	1	417341834T
U002	R5222	CARBON R	R16J-18K	1	417341834T
U002	R5223	CARBON R	R16J-18K	1	417341834T
U002	R5224	CARBON R	R16J-18K	1	417341834T
U002	R5225	CARBON R	R16J-18K	1	417341834T
U002	R5226	CARBON R	R16J-18K	1	417341834T
U002	R5230	NF CARBON R	R25J-15	1	415471504T
U002	R5231	NF CARBON R	R25J-15	1	415471504T
U002	R5232	NF CARBON R	R25J-15	1	415471504T
U002	R5233	NF CARBON R	R25J-15	1	415471504T
U002	R5234	NF CARBON R	R25J-15	1	415471504T
U002	R5235	NF CARBON R	R25J-15	1	415471504T
U002	R5236	NF CARBON R	R25J-15	1	415471504T
U002	R5240	NF CARBON R	R25J-15	1	415471504T
U002	R5241	NF CARBON R	R25J-15	1	415471504T
U002	R5242	NF CARBON R	R25J-15	1	415471504T
U002	R5243	NF CARBON R	R25J-15	1	415471504T
U002	R5244	NF CARBON R	R25J-15	1	415471504T
U002	R5245	NF CARBON R	R25J-15	1	415471504T
U002	R5246	NF CARBON R	R25J-15	1	415471504T
U002	R5250	CARBON R	R16J-68K	1	417346834T
U002	R5251	CARBON R	R16J-68K	1	417346834T
U002	R5252	CARBON R	R16J-68K	1	417346834T
U002	R5253	CARBON R	R16J-68K	1	417346834T
U002	R5254	CARBON R	R16J-68K	1	417346834T



U002	R5255	CARBON R	R16J-68K	1	417346834T
U002	R5256	CARBON R	R16J-68K	1	417346834T
U002	R5260	CARBON R	R16J-270K	1	417342744T
U002	R5261	CARBON R	R16J-270K	1	417342744T
U002	R5262	CARBON R	R16J-270K	1	417342744T
U002	R5263	CARBON R	R16J-270K	1	417342744T
U002	R5264	CARBON R	R16J-270K	1	417342744T
U002	R5265	CARBON R	R16J-270K	1	417342744T
U002	R5266	CARBON R	R16J-270K	1	417342744T
U002	R5280	METAL O R	RS1/2WBJ-1K	1	443521024T
U002	R5281	METAL O R	RS1/2WBJ-1K	1	443521024T
U002	R5282	METAL O R	RS1/2WBJ-1K	1	443521024T
U002	R5283	METAL O R	RS1/2WBJ-1K	1	443521024T
U002	R5284	METAL O R	RS1/2WBJ-1K	1	443521024T
U002	R5285	METAL O R	RS1/2WBJ-1K	1	443521024T
U002	R5286	METAL O R	RS1/2WBJ-1K	1	443521024T
U002	R5290	CARBON R	R16J-100K	1	417341044T
U002	R5291	CARBON R	R16J-100K	1	417341044T
U002	R5292	CARBON R	R16J-100K	1	417341044T
U002	R5293	CARBON R	R16J-100K	1	417341044T
U002	R5294	CARBON R	R16J-100K	1	417341044T
U002	R5295	CARBON R	R16J-100K	1	417341044T
U002	R5296	CARBON R	R16J-100K	1	417341044T
U002	R5300	NF CARBON R	R25J-120	1	415471214T
U002	R5301	NF CARBON R	R25J-120	1	415471214T
U002	R5302	NF CARBON R	R25J-120	1	415471214T
U002	R5303	NF CARBON R	R25J-120	1	415471214T
U002	R5304	NF CARBON R	R25J-120	1	415471214T
U002	R5305	NF CARBON R	R25J-120	1	415471214T
U002	R5306	NF CARBON R	R25J-120	1	415471214T
U002	R5330	NF CARBON R	R25J-120	1	415471214T
U002	R5331	NF CARBON R	R25J-120	1	415471214T
U002	R5332	NF CARBON R	R25J-120	1	415471214T
U002	R5333	NF CARBON R	R25J-120	1	415471214T
U002	R5334	NF CARBON R	R25J-120	1	415471214T
U002	R5335	NF CARBON R	R25J-120	1	415471214T
U002	R5336	NF CARBON R	R25J-120	1	415471214T
U002	R6010	CARBON R	R16J-5.6K	1	417345624T
U002	R6011	CARBON R	R16J-5.6K	1	417345624T

U002	R6012	CARBON R	R16J-5.6K	1	417345624T
U002	R6013	CARBON R	R16J-5.6K	1	417345624T
U002	R6014	CARBON R	R16J-5.6K	1	417345624T
U002	R6015	CARBON R	R16J-5.6K	1	417345624T
U002	R6016	CARBON R	R16J-5.6K	1	417345624T
U002	R6020	CARBON R	R16J-3.9K	1	417343924T
U002	R6021	CARBON R	R16J-3.9K	1	417343924T
U002	R6022	CARBON R	R16J-3.9K	1	417343924T
U002	R6023	CARBON R	R16J-3.9K	1	417343924T
U002	R6024	CARBON R	R16J-3.9K	1	417343924T
U002	R6025	CARBON R	R16J-3.9K	1	417343924T
U002	R6026	CARBON R	R16J-3.9K	1	417343924T
U002	R6030	CARBON R	R16J-470	1	417344714T
U002	R6031	CARBON R	R16J-470	1	417344714T
U002	R6032	CARBON R	R16J-470	1	417344714T
U002	R6033	CARBON R	R16J-470	1	417344714T
U002	R6034	CARBON R	R16J-470	1	417344714T
U002	R6035	CARBON R	R16J-470	1	417344714T
U002	R6036	CARBON R	R16J-470	1	417344714T
U002	R6040	TRIM R	N06HR2KBB	1	5211402T
U002	R6041	TRIM R	N06HR2KBB	1	5211402T
U002	R6042	TRIM R	N06HR2KBB	1	5211402T
U002	R6043	TRIM R	N06HR2KBB	1	5211402T
U002	R6044	TRIM R	N06HR2KBB	1	5211402T
U002	R6045	TRIM R	N06HR2KBB	1	5211402T
U002	R6046	TRIM R	N06HR2KBB	1	5211402T
U002	R6050	CARBON R	R16J-3.9K	1	417343924T
U002	R6051	CARBON R	R16J-3.9K	1	417343924T
U002	R6052	CARBON R	R16J-3.9K	1	417343924T
U002	R6053	CARBON R	R16J-3.9K	1	417343924T
U002	R6054	CARBON R	R16J-3.9K	1	417343924T
U002	R6055	CARBON R	R16J-3.9K	1	417343924T
U002	R6056	CARBON R	R16J-3.9K	1	417343924T
U002	R6070	NF CARBON R	R25J-82	1	415478204T
U002	R6071	NF CARBON R	R25J-82	1	415478204T
U002	R6072	NF CARBON R	R25J-82	1	415478204T
U002	R6073	NF CARBON R	R25J-82	1	415478204T
U002	R6074	NF CARBON R	R25J-82	1	415478204T
U002	R6075	NF CARBON R	R25J-82	1	415478204T

U002	R6076	NF CARBON R	R25J-82	1	415478204T
U002	R6080	METAL O R	RS1/2WBJ-10	1	443521004T
U002	R6081	METAL O R	RS1/2WBJ-10	1	443521004T
U002	R6082	METAL O R	RS1/2WBJ-10	1	443521004T
U002	R6083	METAL O R	RS1/2WBJ-10	1	443521004T
U002	R6084	METAL O R	RS1/2WBJ-10	1	443521004T
U002	R6085	METAL O R	RS1/2WBJ-10	1	443521004T
U002	R6086	METAL O R	RS1/2WBJ-10	1	443521004T
U002	R6090	METAL O R	RS1/2WBJ-10	1	443521004T
U002	R6091	METAL O R	RS1/2WBJ-10	1	443521004T
U002	R6092	METAL O R	RS1/2WBJ-10	1	443521004T
U002	R6093	METAL O R	RS1/2WBJ-10	1	443521004T
U002	R6094	METAL O R	RS1/2WBJ-10	1	443521004T
U002	R6095	METAL O R	RS1/2WBJ-10	1	443521004T
U002	R6096	METAL O R	RS1/2WBJ-10	1	443521004T
U002	R6110	CARBON R	R16J-10K	1	417341034T
U002	R6111	CARBON R	R16J-10K	1	417341034T
U002	R6112	CARBON R	R16J-10K	1	417341034T
U002	R6113	CARBON R	R16J-10K	1	417341034T
U002	R6114	CARBON R	R16J-10K	1	417341034T
U002	R6115	CARBON R	R16J-10K	1	417341034T
U002	R6116	CARBON R	R16J-10K	1	417341034T
U002	R6250	NF CARBON R	R25J-120	1	415471214T
U002	R6251	NF CARBON R	R25J-120	1	415471214T
U002	R6252	NF CARBON R	R25J-120	1	415471214T
U002	R6253	NF CARBON R	R25J-120	1	415471214T
U002	R6254	NF CARBON R	R25J-120	1	415471214T
U002	R6255	NF CARBON R	R25J-120	1	415471214T
U002	R6256	NF CARBON R	R25J-120	1	415471214T
U002	R6260	NF CARBON R	R25J-120	1	415471214T
U002	R6261	NF CARBON R	R25J-120	1	415471214T
U002	R6262	NF CARBON R	R25J-120	1	415471214T
U002	R6263	NF CARBON R	R25J-120	1	415471214T
U002	R6264	NF CARBON R	R25J-120	1	415471214T
U002	R6265	NF CARBON R	R25J-120	1	415471214T
U002	R6266	NF CARBON R	R25J-120	1	415471214T
U002	R6270	NF CARBON R	R25J-18	1	415471804T
U002	R6271	NF CARBON R	R25J-18	1	415471804T
U002	R6272	NF CARBON R	R25J-18	1	415471804T

U002	R6273	NF CARBON R	R25J-18	1	415471804T	
U002	R6274	NF CARBON R	R25J-18	1	415471804T	
U002	R6275	NF CARBON R	R25J-18	1	415471804T	
U002	R6276	NF CARBON R	R25J-18	1	415471804T	
U002	R6280	NF CARBON R	R25J-18	1	415471804T	
U002	R6281	NF CARBON R	R25J-18	1	415471804T	
U002	R6282	NF CARBON R	R25J-18	1	415471804T	
U002	R6283	NF CARBON R	R25J-18	1	415471804T	
U002	R6284	NF CARBON R	R25J-18	1	415471804T	
U002	R6285	NF CARBON R	R25J-18	1	415471804T	
U002	R6286	NF CARBON R	R25J-18	1	415471804T	
U002	R6290	NF CARBON R	R25J-2.2	1	415470224T	
U002	R6291	NF CARBON R	R25J-2.2	1	415470224T	
U002	R6292	NF CARBON R	R25J-2.2	1	415470224T	
U002	R6293	NF CARBON R	R25J-2.2	1	415470224T	
U002	R6294	NF CARBON R	R25J-2.2	1	415470224T	
U002	R6295	NF CARBON R	R25J-2.2	1	415470224T	
U002	R6296	NF CARBON R	R25J-2.2	1	415470224T	
U002	R6300	NF CARBON R	R25J-2.2	1	415470224T	
U002	R6301	NF CARBON R	R25J-2.2	1	415470224T	
U002	R6302	NF CARBON R	R25J-2.2	1	415470224T	
U002	R6303	NF CARBON R	R25J-2.2	1	415470224T	
U002	R6304	NF CARBON R	R25J-2.2	1	415470224T	
U002	R6305	NF CARBON R	R25J-2.2	1	415470224T	
U002	R6306	NF CARBON R	R25J-2.2	1	415470224T	
U002	R6310	NF CARBON R	R25J-10	1	415471004T	
U002	R6311	NF CARBON R	R25J-10	1	415471004T	
U002	R6312	NF CARBON R	R25J-10	1	415471004T	
U002	R6313	NF CARBON R	R25J-10	1	415471004T	
U002	R6314	NF CARBON R	R25J-10	1	415471004T	
U002	R6315	NF CARBON R	R25J-10	1	415471004T	
U002	R6316	NF CARBON R	R25J-10	1	415471004T	
U002	R6901	METAL O R	RS1WBJ-100	1	443621014T	
U002	R6902	CARBON R	R16J-1K	1	417341024T	
U002	R6903	CARBON R	R16J-47K	1	417344734T	
U002	R6904	METAL R	RNU1/2WCJ-0.22	1	453532294T	
U002	R6905	METAL R	RNU1/2WCJ-0.22	1	453532294T	
U002	[SW TRM]					
U002	F6901C	FUSE HOLDER	SN5051	1	250113	!

U002	F6901D	FUSE HOLDER	SN5051	1	250113	!
U002	F6902C	FUSE HOLDER	SN5051	1	250113	!
U002	F6902D	FUSE HOLDER	SN5051	1	250113	!
U002	JL6602B	WIRE TRAP	NPLG-3P586	1	25055624	
U002	P5010A	SOCKET	NSCT-3P2183	1	25052286	
U002	P5011A	SOCKET	NSCT-3P2183	1	25052286	
U002	P5012A	SOCKET	NSCT-3P2183	1	25052286	
U002	P5013A	SOCKET	NSCT-3P2183	1	25052286	
U002	P5014A	SOCKET	NSCT-3P2183	1	25052286	
U002	P5015A	SOCKET	NSCT-3P2183	1	25052286	
U002	P5016A	SOCKET	NSCT-3P2183	1	25052286	
U002	P5020A	TRM	NTM-1P233(M1969)	1	25060302	
U002	P5021A	TRM	NTM-1P233(M1969)	1	25060302	
U002	P5022A	TRM	NTM-1P233(M1969)	1	25060302	
U002	P5023A	TRM	NTM-1P233(M1969)	1	25060302	
U002	P5024A	TRM	NTM-1P233(M1969)	1	25060302	
U002	P5025A	TRM	NTM-1P233(M1969)	1	25060302	
U002	P5026A	TRM	NTM-1P233(M1969)	1	25060302	
U002	P6030B	SOCKET	IMSA-9115S-09L	1	25052989	N
U002	P6031B	SOCKET	IMSA-9115S-09L	1	25052989	N
U002	P6032B	SOCKET	IMSA-9115S-09L	1	25052989	N
U002	P6033B	SOCKET	IMSA-9115S-09L	1	25052989	N
U002	P6034B	SOCKET	IMSA-9115S-09L	1	25052989	N
U002	P6035B	SOCKET	IMSA-9115S-09L	1	25052989	N
U002	P6036B	SOCKET	IMSA-9115S-09L	1	25052989	N
U002	P6601A	PLUG	NPLG-3P159	1	25055175	
U002	P6950	PLUG	NPLG-5P161	1	25055177	
U002	RL6901	RELAY	NRL-1P10A-DC12-198	1	25065709	
U002	RL6901 or	RELAY	NRL-1P10A-DC12-196	(1)	25065707	
U002	RL6902	RELAY	NRL-1P10A-DC12-198	1	25065709	
U002	RL6902 or	RELAY	NRL-1P10A-DC12-196	(1)	25065707	
U003	<b>U003</b>	<b>U0030 + U0031 + U0032 + U0033</b>				
U003	<b>U0030</b>	SPEAKER TERMINAL-1 PC BOARD	BATRM-0450-1A/ 1B			
U003	<b>U0031</b>	SPEAKER TERMINAL-2 PC BOARD	BATRM-0451-1A/ 1B			
U003	<b>U0032</b>	SPEAKER TERMINAL-3 PC BOARD	BATRM-0452-1A/ 1B			
U003	<b>U0034</b>	POWER SUPPLY PC BOARD	BAPS-0454-1A/ 1B			
U003						
U003	<b>CIRCUIT NO</b>	<b>PART NAME</b>	<b>DESCRIPTION</b>	<b>Q'TY</b>	<b>PART NO. (SN)</b>	<b>REMARKS</b>

[SEMI CONDUCTOR]						
U003	D6600	DIODE	ISS133	1	223163T	<B MDC, MDF, B MMA, MMB, MMP, MMQ, MMR / S MMP>
U003	D6603	DIODE	ISS133	1	223163T	<B MDC, MDF, B MMA, MMB, MMP, MMQ, MMR / S MMP>
U003	D6604	DIODE	ISS133	1	223163T	<B MDC, MDF, B MMA, MMB, MMP, MMQ, MMR / S MMP>
U003	D6605	DIODE	ISS133	1	223163T	<B MDC, MDF, B MMA, MMB, MMP, MMQ, MMR / S MMP>
U003	D6606	DIODE	ISS133	1	223163T	<B MDC, MDF, B MMA, MMB, MMP, MMQ, MMR / S MMP>
U003	D6610	DIODE	ISS133	1	223163T	<B MDC, MDF, B MMA, MMB, MMP, MMQ, MMR / S MMP>
U003	D911	DIODE	ISS133	1	223163T	
U003	D912	DIODE	ISS133	1	223163T	
U003	D921	DIODE	ISS133	1	223163T	
U003	D922	DIODE	ISS133	1	223163T	
U003	D923	DIODE	ISS133	1	223163T	
U003	D924	DIODE	ISS133	1	223163T	
U003	D925	DIODE	ISS133	1	223163T	
U003	D926	DIODE	ISS133	1	223163T	
U003	D930	DIODE	ISS133	1	223163T	
U003	D9300	DIODE	D3SBA20	1	22380271F	
U003	D9300 or	DIODE	RBV402	(1)	22380022F	
U003	D9301	ZENER D	MTZJ15B	1	224471502T	
U003	D9302	ZENER D	MTZJ15B	1	224471502T	
U003	D9303	DIODE	ISS133	1	223163T	
U003	D9304	DIODE	ISS133	1	223163T	
U003	D931	DIODE	ISS133	1	223163T	
U003	D933	DIODE	ISS133	1	223163T	
U003	D934	ZENER D	MTZJ3.6B	1	224470362T	
U003	D935	DIODE	ISS133	1	223163T	
U003	Q6601	TR	KRC105M	1	2215830T	<B MDC, MDF, B MMA, MMB, MMP, MMQ, MMR / S MMP>
U003	Q6601 or	TR	DTC123JS	(1)	2213640T	<B MDC, MDF, B MMA, MMB, MMP, MMQ, MMR / S MMP>
U003	Q6602	TR	KRC105M	1	2215830T	<B MDC, MDF, B MMA, MMB, MMP, MMQ, MMR / S MMP>
U003	Q6602 or	TR	DTC123JS	(1)	2213640T	<B MDC, MDF, B MMA, MMB, MMP, MMQ, MMR / S MMP>
U003	Q6603	TR	KRC105M	1	2215830T	<B MDC, MDF, B MMA, MMB, MMP, MMQ, MMR / S MMP>
U003	Q6603 or	TR	DTC123JS	(1)	2213640T	<B MDC, MDF, B MMA, MMB, MMP, MMQ, MMR / S MMP>
U003	Q6604	TR	KRC105M	1	2215830T	<B MDC, MDF, B MMA, MMB, MMP, MMQ, MMR / S MMP>
U003	Q6604 or	TR	DTC123JS	(1)	2213640T	<B MDC, MDF, B MMA, MMB, MMP, MMQ, MMR / S MMP>
U003	Q6605	TR	KRC105M	1	2215830T	<B MDC, MDF, B MMA, MMB, MMP, MMQ, MMR / S MMP>
U003	Q6605 or	TR	DTC123JS	(1)	2213640T	<B MDC, MDF, B MMA, MMB, MMP, MMQ, MMR / S MMP>
U003	Q6606	TR	KRC105M	1	2215830T	<B MDC, MDF, B MMA, MMB, MMP, MMQ, MMR / S MMP>
U003	Q6606 or	TR	DTC123JS	(1)	2213640T	<B MDC, MDF, B MMA, MMB, MMP, MMQ, MMR / S MMP>
U003	Q6608	TR	2SC2235-Y(TPE6_F)	1	2211654T	<B MDC, MDF, B MMA, MMB, MMP, MMQ, MMR / S MMP>

U003	Q901	TR	2SC1815-GR	1	2211255T	
U003	Q901 or	TR	2SC1815-Y	(1)	2211254T	
U003	Q9301	TR	2SK365-GR	1	2212445T	
U003	Q9302	TR	2SK365-GR	1	2212445T	
U003	Q9303	TR	2SC1815-GR	1	2211255T	
U003	Q9303 or	TR	2SC1815-Y	(1)	2211254T	
U003	Q9304	TR	2SA1015-GR	1	2211455T	
U003	Q9304 or	TR	2SA1015-Y	(1)	2211454T	
U003	Q9305	TR	2SA1488-Y	1	2203394	
U003	Q9305 or	TR	2SB1565-E	(1)	2202715	
U003	Q9305A	HEAT SINK	(RAD-255)	1	27160647	N
U003	Q9305B	SCREW	3P+10FN(3BC)	2	82143010GR	
U003	Q9306	TR	2SC3851-Y	1	2203384	
U003	Q9306 or	TR	2SD2394-E	(1)	2202705	
U003	<b>[TRANS COIL]</b>					
U003	T902	P TRANS	NPT-1520JQ	1	2301812A	! <B MDC, MDF>
U003	T902	P TRANS	NPT-1520GQ	1	2301813A	! <B MMA, MMB, MMP, MMQ, MMR / S MMP>
U003	<b>[CAPACITOR]</b>					
U003	C6600	TF C	ECQ-V50V-103J	1	374721034T	<B MDC, MDF, B MMA, MMB, MMP, MMQ, MMR / S MMP>
U003	C6602	TF C	ECQ-V50V-103J	1	374721034T	<B MDC, MDF, B MMA, MMB, MMP, MMQ, MMR / S MMP>
U003	C6603	TF C	ECQ-V50V-103J	1	374721034T	<B MDC, MDF, B MMA, MMB, MMP, MMQ, MMR / S MMP>
U003	C6604	TF C	ECQ-V50V-103J	1	374721034T	<B MDC, MDF, B MMA, MMB, MMP, MMQ, MMR / S MMP>
U003	C6605	TF C	ECQ-V50V-103J	1	374721034T	<B MDC, MDF, B MMA, MMB, MMP, MMQ, MMR / S MMP>
U003	C6606	TF C	ECQ-V50V-103J	1	374721034T	<B MDC, MDF, B MMA, MMB, MMP, MMQ, MMR / S MMP>
U003	C6607	UTSP C	CE04W50V-10M(UTSP)	1	397581007T	<B MDC, MDF, B MMA, MMB, MMP, MMQ, MMR / S MMP>
U003	C6608	VR C	CE04W35V-470M(VR)	1	394664717T	<B MDC, MDF, B MMA, MMB, MMP, MMQ, MMR / S MMP>
U003	C6609	UTSP C	CE04W50V-10M(UTSP)	1	397581007T	<B MDC, MDF, B MMA, MMB, MMP, MMQ, MMR / S MMP>
U003	C6639	MKT C	B32529C0472J289	1	376494724T	<B MDC, MDF, B MMA, MMB, MMP, MMQ, MMR / S MMP>
U003	C6640	MKT C	B32529C0472J289	1	376494724T	<B MDC, MDF, B MMA, MMB, MMP, MMQ, MMR / S MMP>
U003	C6641	MKT C	B32529C0472J289	1	376494724T	<B MDC, MDF, B MMA, MMB, MMP, MMQ, MMR / S MMP>
U003	C6642	MKT C	B32529C0472J289	1	376494724T	<B MDC, MDF, B MMA, MMB, MMP, MMQ, MMR / S MMP>
U003	C6643	MKT C	B32529C0472J289	1	376494724T	<B MDC, MDF, B MMA, MMB, MMP, MMQ, MMR / S MMP>
U003	C6644	MKT C	B32529C0472J289	1	376494724T	<B MDC, MDF, B MMA, MMB, MMP, MMQ, MMR / S MMP>
U003	C6645	MKT C	B32529C0472J289	1	376494724T	<B MDC, MDF, B MMA, MMB, MMP, MMQ, MMR / S MMP>
U003	C6646	MKT C	B32529C0472J289	1	376494724T	<B MDC, MDF, B MMA, MMB, MMP, MMQ, MMR / S MMP>
U003	C6647	MKT C	B32529C0472J289	1	376494724T	<B MDC, MDF, B MMA, MMB, MMP, MMQ, MMR / S MMP>
U003	C6648	MKT C	B32529C0472J289	1	376494724T	<B MDC, MDF, B MMA, MMB, MMP, MMQ, MMR / S MMP>
U003	C6649	MKT C	B32529C0472J289	1	376494724T	<B MDC, MDF, B MMA, MMB, MMP, MMQ, MMR / S MMP>
U003	C6650	MKT C	B32529C0102J289	1	376491024T	<B MDC, MDF, B MMA, MMB, MMP, MMQ, MMR / S MMP>

U003	C6651	MKT C	B32529C0102J289	1	376491024T	<B MDC, MDF, B MMA, MMB, MMP, MMQ, MMR / S MMP>
U003	C6652	MKT C	B32529C0102J289	1	376491024T	<B MDC, MDF, B MMA, MMB, MMP, MMQ, MMR / S MMP>
U003	C6653	MKT C	B32529C0102J289	1	376491024T	<B MDC, MDF, B MMA, MMB, MMP, MMQ, MMR / S MMP>
U003	C6654	MKT C	B32529C0102J289	1	376491024T	<B MDC, MDF, B MMA, MMB, MMP, MMQ, MMR / S MMP>
U003	C6655	MKT C	B32529C0102J289	1	376491024T	<B MDC, MDF, B MMA, MMB, MMP, MMQ, MMR / S MMP>
U003	C6656	MKT C	B32529C0102J289	1	376491024T	<B MDC, MDF, B MMA, MMB, MMP, MMQ, MMR / S MMP>
U003	C6657	MKT C	B32529C0102J289	1	376491024T	<B MDC, MDF, B MMA, MMB, MMP, MMQ, MMR / S MMP>
U003	C6658	MKT C	B32529C0102J289	1	376491024T	<B MDC, MDF, B MMA, MMB, MMP, MMQ, MMR / S MMP>
U003	C6659	MKT C	B32529C0102J289	1	376491024T	<B MDC, MDF, B MMA, MMB, MMP, MMQ, MMR / S MMP>
U003	C6660	MKT C	B32529C0102J289	1	376491024T	<B MDC, MDF, B MMA, MMB, MMP, MMQ, MMR / S MMP>
U003	C901	IS C	ECQU2A103MLC	1	3800039S	!
U003	C901 or	IS C	RE275V-103M	(1)	3500196S	!
U003	C901 or	IS C	LE103-C3.5	(1)	3800042S	!
U003	C902	TF C	ECQ-V50V-104J	1	374721044T	
U003	C903	PLA C	MKP R46 104M	1	3800041S	!
U003	C911	MKT C	B32529C0102J289	1	376491024T	
U003	C921	TF C	ECQ-V50V-223J	1	374722234T	
U003	C922	VR C	CE04W25V-2200M(VR)	1	394652227S	
U003	C930	UTSP C	CE04W16V-470M(UTSP)	1	397544717T	
U003	C9300	VR C	CE04W35V-2200M(VR)	1	394662227S	
U003	C9301	VR C	CE04W35V-2200M(VR)	1	394662227S	
U003	C9302	UTSP C	CE04W25V-100M(UTSP)	1	397551017T	
U003	C9303	UTSP C	CE04W25V-100M(UTSP)	1	397551017T	
U003	C9304	UTSP C	CE04W25V-100M(UTSP)	1	397551017T	
U003	C9305	UTSP C	CE04W25V-100M(UTSP)	1	397551017T	
U003	C9306	TF C	ECQ-V50V-334J	1	374723344T	
U003	C933	UTSP C	CE04W50V-4.7M(UTSP)	1	397580477T	
U003	<b>[RESISTOR]</b>					
U003	R6601	METAL O R	RS1/2WBJ-220	1	443522214T	<B MDC, MDF, B MMA, MMB, MMP, MMQ, MMR / S MMP>
U003	R6691	METAL O R	RS1/2WBJ-390	1	443523914T	<B MDC, MDF, B MMA, MMB, MMP, MMQ, MMR / S MMP>
U003	R6692	METAL O R	RS1/2WBJ-390	1	443523914T	<B MDC, MDF, B MMA, MMB, MMP, MMQ, MMR / S MMP>
U003	R921	METAL O R	RS1/2WBJ-47	1	443524704T	
U003	R922	METAL O R	RS1/2WBJ-68	1	443526804T	
U003	R9302	METAL R	RNU1/2WCJ-1	1	453530104T	
U003	R9303	METAL R	RNU1/2WCJ-1	1	453530104T	
U003	R9304	CARBON R	R16J-330	1	417343314T	
U003	R9305	CARBON R	R16J-330	1	417343314T	
U003	R934	CARBON R	R16J-33K	1	417343334T	
U003	R935	CARBON R	R16J-100K	1	417341044T	



U003	R936	CARBON R	R16J-1K	1	417341024T	
U003	[SW TRM]					
U003	E6611	TRM	NTM-1P232(M1700)	1	25060301	
U003	E6612	TRM-423(SCREW)	NEJITANSI ST3	1	25060495	<B MDC, MDF, B MMA, MMB, MMP, MMQ, MMR / S MMP>
U003	E901	TRM-423(SCREW)	NEJITANSI ST3	1	25060495	
U003	E902	TRM	NTM-1P233(M1969)	1	25060302	
U003	F901A	FUSE HOLDER	SN5051	1	250113	! <B MDC, MDF>
U003	F901B	FUSE HOLDER	SN5051	1	250113	! <B MDC, MDF>
U003	F901C	FUSE HOL	NSCT-1P2031	1	25052133T	! <B MMA, MMB, MMP, MMQ, MMR / S MMP>
U003	F901D	FUSE HOL	NSCT-1P2031	1	25052133T	! <B MMA, MMB, MMP, MMQ, MMR / S MMP>
U003	JL4103A	SOCKET	NSCT-5P97	1	25050269	<B MDC, MDF, B MMA, MMB, MMP, MMQ, MMR / S MMP>
U003	JL6604A	WIRE HOL	NSCT-7P898	1	25051111	<B MDC, MDF, B MMA, MMB, MMP, MMQ, MMR / S MMP>
U003	JL6604B	SOCKET	NSCT-7P99	1	25050271	<B MDC, MDF, B MMA, MMB, MMP, MMQ, MMR / S MMP>
U003	JL6607A	WIRE HOL	NSCT-3P894	1	25051107	<B MDC, MDF, B MMA, MMB, MMP, MMQ, MMR / S MMP>
U003	JL6607B	WIRE HOL	NSCT-3P894	1	25051107	<B MDC, MDF, B MMA, MMB, MMP, MMQ, MMR / S MMP>
U003	JL901A	WIRE HOL	NSCT-5P876	1	25051089	
U003	JL9925A	WIRE HOL	NSCT-5P876	1	25051089	
U003	P1008A	SOCKET	IMSA-9142S-22A	1	25053233	<B MDC, MDF, B MMA, MMB, MMP, MMQ, MMR / S MMP>
U003	P6600	PLUG	NPLG-9P491	1	25055516	<B MDC, MDF, B MMA, MMB, MMP, MMQ, MMR / S MMP>
U003	P6601A	SOCKET	IMSA-9142S-16A	1	25053230	<B MDC, MDF, B MMA, MMB, MMP, MMQ, MMR / S MMP>
U003	P6603B	PLUG	NPLG-11P493	1	25055518	<B MDC, MDF, B MMA, MMB, MMP, MMQ, MMR / S MMP>
U003	P6605A	SOCKET	IMSA-9142S-22A	1	25053233	<B MDC, MDF, B MMA, MMB, MMP, MMQ, MMR / S MMP>
U003	P6606B	PLUG	NPLG-9P356	1	25055373	<B MDC, MDF, B MMA, MMB, MMP, MMQ, MMR / S MMP>
U003	P6610	TRM	NTM-2PDMCR400	1	25060472	<B MDC, MDF, B MMA, MMB, MMP, MMQ, MMR / S MMP>
U003	P6630	TRM	NTM-2PDMCR400	1	25060472	<B MDC, MDF, B MMA, MMB, MMP, MMQ, MMR / S MMP>
U003	P6631	TRM	NTM-2PDMCR400	1	25060472	<B MDC, MDF, B MMA, MMB, MMP, MMQ, MMR / S MMP>
U003	P6632	TRM	NTM-2PDMCR400	1	25060472	<B MDC, MDF, B MMA, MMB, MMP, MMQ, MMR / S MMP>
U003	P6633	TRM	NTM-2PDMCR400	1	25060472	<B MDC, MDF, B MMA, MMB, MMP, MMQ, MMR / S MMP>
U003	P6634	TRM	NTM-2PDMCR400	1	25060472	<B MDC, MDF, B MMA, MMB, MMP, MMQ, MMR / S MMP>
U003	P6635	TRM	NTM-2PDMCR400	1	25060472	<B MDC, MDF, B MMA, MMB, MMP, MMQ, MMR / S MMP>
U003	P6636	TRM	NTM-2PDMCR400	1	25060472	<B MDC, MDF, B MMA, MMB, MMP, MMQ, MMR / S MMP>
U003	P6637	TRM	NTM-2PDMCR400	1	25060472	<B MDC, MDF, B MMA, MMB, MMP, MMQ, MMR / S MMP>
U003	P6638	TRM	NTM-2PDMCR400	1	25060472	<B MDC, MDF, B MMA, MMB, MMP, MMQ, MMR / S MMP>
U003	P6639	TRM	NTM-2PDMCR400	1	25060472	<B MDC, MDF, B MMA, MMB, MMP, MMQ, MMR / S MMP>
U003	P902B	PLUG	NPLG-2P631	1	25055675	! <B MDC, MDF, B MMA, MMB, MMP, MMQ, MMR / S MMP>
U003	P902Bor	PLUG	1-1123724-2	(1)	25056402	! <B MDC, MDF, B MMA, MMB, MMP, MMQ, MMR / S MMP>
U003	P911	PLUG	NPLG-2P631	1	25055675	!
U003	P911 or	PLUG	1-1123724-2	(1)	25056402	!
U003	P921C	PLUG	NPLG-2P631	1	25055675	!

U003	P921Cor	PLUG	1-1123724-2	(1)	25056402	!
U003	P9311	PLUG	NPLG-3P117	1	25055133	
U003	RL6600	RELAY	NRL-2P5A-DC24-193	1	25065703	<B MDC, MDF, B MMA, MMB, MMP, MMQ, MMR / S MMP>
U003	RL6602	RELAY	NRL-2P5A-DC24-193	1	25065703	<B MDC, MDF, B MMA, MMB, MMP, MMQ, MMR / S MMP>
U003	RL6603	RELAY	NRL-2P5A-DC24-193	1	25065703	<B MDC, MDF, B MMA, MMB, MMP, MMQ, MMR / S MMP>
U003	RL6604	RELAY	NRL-2P5A-DC24-193	1	25065703	<B MDC, MDF, B MMA, MMB, MMP, MMQ, MMR / S MMP>
U003	RL6605	RELAY	NRL-2P5A-DC24-193	1	25065703	<B MDC, MDF, B MMA, MMB, MMP, MMQ, MMR / S MMP>
U003	RL6606	RELAY	NRL-2P5A-DC24-193	1	25065703	<B MDC, MDF, B MMA, MMB, MMP, MMQ, MMR / S MMP>
U003	RL901	RELAY	NRL-1P10A-DC9-186	1	25065683	!

U004	<b>U004</b>	<b>U0040 + U0041</b>			
U004	<b>U0040</b>	ANALOG AUDIO PC BOARD	BAASP-0458-1D		
U004	<b>U0041</b>	D-SUB TERMINAL PC BOARD	BAETC-0459-1D		

CIRCUIT NO	PART NAME	DESCRIPTION	Q'TY	PART NO. (SN)	REMARKS
<b>[SEMI CONDUCTOR]</b>					
U004	D4505	C-DIODE	1	223283R2	
U004	D4505 or	C-DIODE	(1)	223234R2	
U004	D4505 or	C-DIODE	(1)	223302R2	
U004	D4506	C-DIODE	1	223283R2	
U004	D4506 or	C-DIODE	(1)	223234R2	
U004	D4506 or	C-DIODE	(1)	223302R2	
U004	D4507	C-DIODE	1	223283R2	
U004	D4507 or	C-DIODE	(1)	223234R2	
U004	D4507 or	C-DIODE	(1)	223302R2	
U004	D4508	C-DIODE	1	223283R2	<B MDC, MDF, MMA, MMB, MMP, MMQ, MMR / S MMP>
U004	D4508 or	C-DIODE	(1)	223234R2	<B MDC, MDF, MMA, MMB, MMP, MMQ, MMR / S MMP>
U004	D4508 or	C-DIODE	(1)	223302R2	<B MDC, MDF, MMA, MMB, MMP, MMQ, MMR / S MMP>
U004	D4515	C-DIODE	1	223283R2	
U004	D4515 or	C-DIODE	(1)	223234R2	
U004	D4515 or	C-DIODE	(1)	223302R2	
U004	D4516	C-DIODE	1	223283R2	
U004	D4516 or	C-DIODE	(1)	223234R2	
U004	D4516 or	C-DIODE	(1)	223302R2	
U004	D4517	C-DIODE	1	223283R2	
U004	D4517 or	C-DIODE	(1)	223234R2	
U004	D4517 or	C-DIODE	(1)	223302R2	
U004	D4518	C-DIODE	1	223283R2	<B MDC, MDF, MMA, MMB, MMP, MMQ, MMR / S MMP>
U004	D4518 or	C-DIODE	(1)	223234R2	<B MDC, MDF, MMA, MMB, MMP, MMQ, MMR / S MMP>

U004	D4518 or	C-DIODE	MA2J110GL	( 1)	223302R2	<B MDC, MDF, MMA, MMB, MMP, MMQ, MMR / S MMP>
U004	D4900	ZENER D	UDZS7.5B	1	224550750R2	
U004	D4901	ZENER D	UDZS13B	1	224551300R2	
U004	D4910	ZENER D	UDZS7.5B	1	224550750R2	
U004	D4911	ZENER D	UDZS13B	1	224551300R2	
U004	Q4500	IC	R2A15220FP	1	22242600R3	
U004	Q4501	IC	R2A15218FP	1	22242605R3	<B MDC, MDF, MMA, MMB, MMP, MMQ, MMR / S MMP>
U004	Q4502	IC	NJM4580M-D	1	22241448R2	
U004	Q4503	IC	NJM4580M-D	1	22241448R2	
U004	Q4504	IC	NJM4580M-D	1	22241448R2	
U004	Q4550	TR	2SK365-GR	1	2212445T	
U004	Q4551	TR	2SA1488-Y	1	2203394	
U004	Q4552	TR	2SC1815-GR	1	2211255T	
U004	Q4553	TR	2SC2235-Y(TPE6_F)	1	2211654T	
U004	Q4560	TR	2SK365-GR	1	2212445T	
U004	Q4561	TR	2SC3851-Y	1	2203384	
U004	Q4562	TR	2SA1015-GR	1	2211455T	
U004	Q4563	TR	2SA965-Y(TPE6_F)	1	2211644T	
U004	Q4600	TR	RN1441	1	2215410R2	
U004	Q4601	TR	RN1441	1	2215410R2	
U004	Q4602	TR	RN1441	1	2215410R2	<B MDC, MDF, MMA, MMB, MMP, MMQ, MMR / S MMP>
U004	Q4603	TR	RN1441	1	2215410R2	<B MDC, MDF, MMA, MMB, MMP, MMQ, MMR / S MMP>
U004	Q4604	TR	RN1441	1	2215410R2	<B MDC, MDF, MMA, MMB, MMP, MMQ, MMR / S MMP>
U004	Q4605	TR	RN1441	1	2215410R2	<B MDC, MDF, MMA, MMB, MMP, MMQ, MMR / S MMP>
U004	Q4606	TR	RN1441	1	2215410R2	
U004	Q4607	TR	RN1441	1	2215410R2	
U004	Q4616	TR	RN1441	1	2215410R2	
U004	Q4617	TR	RN1441	1	2215410R2	
U004	Q4620	TR	RN1441	1	2215410R2	
U004	Q4621	TR	RN1441	1	2215410R2	
U004	Q4622	TR	RN1441	1	2215410R2	
U004	Q4623	TR	RN1441	1	2215410R2	
U004	Q4624	TR	RN1441	1	2215410R2	
U004	Q4625	TR	RN1441	1	2215410R2	
U004	Q4630	TR	RN1441	1	2215410R2	
U004	Q4631	TR	RN1441	1	2215410R2	
U004	Q4640	TR	RN1441	1	2215410R2	<B MDC, MDF, MMA, MMB, MMP, MMQ, MMR / S MMP>
U004	Q4641	TR	RN1441	1	2215410R2	<B MDC, MDF, MMA, MMB, MMP, MMQ, MMR / S MMP>
U004	[CHASSIS SCREW]					

U004	P4520	HOLDER	HOLDER(CLAMP)	1	27190540-1	<B MDC, MDF, MMA, MMB, MMP, MMQ, MMR / S MMP>
U004	<b>[CAPACITOR]</b>					
U004	C4503	UPZ C	2AUPZTF221JE	1	376332214T	
U004	C4504	UPZ C	2AUPZTF221JE	1	376332214T	
U004	C4505	C-CERA C	CC725CH1H-221J1	1	342102214R1	
U004	C4506	C-CERA C	CC725CH1H-221J1	1	342102214R1	
U004	C4507	C-CERA C	CC725CH1H-221J1	1	342102214R1	
U004	C4508	C-CERA C	CC725CH1H-221J1	1	342102214R1	
U004	C4509	C-CERA C	CC725CH1H-221J1	1	342102214R1	
U004	C4510	C-CERA C	CC725CH1H-221J1	1	342102214R1	
U004	C4511	C-CERA C	CC725CH1H-221J1	1	342102214R1	
U004	C4512	C-CERA C	CC725CH1H-221J1	1	342102214R1	
U004	C4513	C-CERA C	CC725CH1H-221J1	1	342102214R1	
U004	C4514	C-CERA C	CC725CH1H-221J1	1	342102214R1	
U004	C4515	UPZ C	2AUPZTF221JE	1	376332214T	
U004	C4516	UPZ C	2AUPZTF221JE	1	376332214T	
U004	C4517	C-CERA C	CC725CH1H-221J1	1	342102214R1	
U004	C4518	UPZ C	2AUPZTF221JE	1	376332214T	
U004	C4519	C-CERA C	CC725CH1H-221J1	1	342102214R1	
U004	C4520	C-CERA C	CC725CH1H-221J1	1	342102214R1	
U004	C4521	C-CERA C	CC725CH1H-221J1	1	342102214R1	
U004	C4522	C-CERA C	CC725CH1H-221J1	1	342102214R1	
U004	C4523	UTSP C	CE04W25V-220M(UTSP)	1	397552217T	
U004	C4524	UTSP C	CE04W25V-220M(UTSP)	1	397552217T	
U004	C4525	UTSP C	CE04W50V 47M(UTSP)	1	397584707T	
U004	C4526	UTSP C	CE04W50V 47M(UTSP)	1	397584707T	
U004	C4530	C-CERA C	CC725CH1H-221J1	1	342102214R1	
U004	C4531	C-CERA C	CC725CH1H-221J1	1	342102214R1	
U004	C4532	C-CERA C	CC725CH1H-221J1	1	342102214R1	
U004	C4533	C-CERA C	CC725CH1H-221J1	1	342102214R1	
U004	C4534	C-CERA C	CC725CH1H-221J1	1	342102214R1	
U004	C4535	C-CERA C	CC725CH1H-221J1	1	342102214R1	
U004	C4536	C-CERA C	CC725CH1H-221J1	1	342102214R1	
U004	C4537	C-CERA C	CC725CH1H-221J1	1	342102214R1	
U004	C4540	C-CERA C	CC725CH1H-221J1	1	342102214R1	<B MDC, MDF, MMA, MMB, MMP, MMQ, MMR / S MMP>
U004	C4541	C-CERA C	CC725CH1H-221J1	1	342102214R1	<B MDC, MDF, MMA, MMB, MMP, MMQ, MMR / S MMP>
U004	C4550	C-CERA C	CC725CH1H-221J1	1	342102214R1	<B MDC, MDF, MMA, MMB, MMP, MMQ, MMR / S MMP>
U004	C4551	C-CERA C	CC725CH1H-221J1	1	342102214R1	<B MDC, MDF, MMA, MMB, MMP, MMQ, MMR / S MMP>
U004	C4570	UTSP C	CE04W50V 47M(UTSP)	1	397584707T	

U004	C4571	UTSP C	CE04W50V 47M(UTSP)	1	397584707T	
U004	C4572	UTSP C	CE04W50V 47M(UTSP)	1	397584707T	
U004	C4573	UTSP C	CE04W50V 47M(UTSP)	1	397584707T	
U004	C4574	UTSP C	CE04W50V 47M(UTSP)	1	397584707T	
U004	C4575	UTSP C	CE04W50V 47M(UTSP)	1	397584707T	
U004	C4576	UTSP C	CE04W50V 47M(UTSP)	1	397584707T	
U004	C4577	UTSP C	CE04W50V 47M(UTSP)	1	397584707T	
U004	C4600	UTSP C	CE04W50V 47M(UTSP)	1	397584707T	
U004	C4601	UTSP C	CE04W50V 47M(UTSP)	1	397584707T	
U004	C4602	UTSP C	CE04W50V 47M(UTSP)	1	397584707T	<B MDC, MDF, MMA, MMB, MMP, MMQ, MMR / S MMP>
U004	C4603	UTSP C	CE04W50V 47M(UTSP)	1	397584707T	<B MDC, MDF, MMA, MMB, MMP, MMQ, MMR / S MMP>
U004	C4604	UTSP C	CE04W50V 47M(UTSP)	1	397584707T	<B MDC, MDF, MMA, MMB, MMP, MMQ, MMR / S MMP>
U004	C4605	UTSP C	CE04W50V 47M(UTSP)	1	397584707T	<B MDC, MDF, MMA, MMB, MMP, MMQ, MMR / S MMP>
U004	C4606	UTSP C	CE04W50V-22M(UTSP)	1	397582207T	
U004	C4607	UTSP C	CE04W50V 47M(UTSP)	1	397584707T	
U004	C4610	UTSP C	CE04W50V 47M(UTSP)	1	397584707T	
U004	C4611	UTSP C	CE04W50V 47M(UTSP)	1	397584707T	
U004	C4612	UTSP C	CE04W50V 47M(UTSP)	1	397584707T	
U004	C4613	UTSP C	CE04W50V 47M(UTSP)	1	397584707T	
U004	C4614	UTSP C	CE04W50V 47M(UTSP)	1	397584707T	
U004	C4615	UTSP C	CE04W50V 47M(UTSP)	1	397584707T	
U004	C4620	UTSP C	CE04W50V 47M(UTSP)	1	397584707T	
U004	C4621	UTSP C	CE04W50V 47M(UTSP)	1	397584707T	
U004	C4630	UTSP C	CE04W50V 47M(UTSP)	1	397584707T	<B MDC, MDF, MMA, MMB, MMP, MMQ, MMR / S MMP>
U004	C4631	UTSP C	CE04W50V 47M(UTSP)	1	397584707T	<B MDC, MDF, MMA, MMB, MMP, MMQ, MMR / S MMP>
U004	C4675	UTSP C	CE04W10V-220M(UTSP)	1	397532217T	
U004	C4726	C-CERA C	CC725CH1H-471J1	1	342104714R1	
U004	C4736	C-CERA C	CC725CH1H-471J1	1	342104714R1	
U004	C4740	C-CERA C	CC725CH1H-102J1	1	342101024R1	
U004	C4741	UTSP C	CE04W25V-47M(UTSP)	1	397554707T	
U004	C4742	UTSP C	CE04W10V-220M(UTSP)	1	397532217T	
U004	C4743	C-CERA C	CK725B1H-152K1	1	332101525R1	
U004	C4744	TF C	ECQ-V50V-123J	1	374721234T	
U004	C4745	MKT C	B32529C0332J289	1	376493324T	
U004	C4746	C-CERA C	CC725CH1H-151J1	1	342101514R1	
U004	C4747	UTSP C	CE04W10V-220M(UTSP)	1	397532217T	
U004	C4748	C-CERA C	CC725CH1H-101J1	1	342101014R1	
U004	C4749	UTSP C	CE04W50V-10M(UTSP)	1	397581007T	
U004	C4750	C-CERA C	CC725CH1H-102J1	1	342101024R1	

U004	C4751	UTSP C	CE04W25V-47M(UTSP)	1	397554707T	
U004	C4752	UTSP C	CE04W10V-220M(UTSP)	1	397532217T	
U004	C4753	C-CERA C	CK725B1H-152K1	1	332101525R1	
U004	C4754	TF C	ECQ-V50V-123J	1	374721234T	
U004	C4755	MKT C	B32529C0332J289	1	376493324T	
U004	C4756	C-CERA C	CC725CH1H-151J1	1	342101514R1	
U004	C4758	C-CERA C	CC725CH1H-101J1	1	342101014R1	
U004	C4759	UTSP C	CE04W50V-10M(UTSP)	1	397581007T	
U004	C4760	UTSP C	CE04W25V-47M(UTSP)	1	397554707T	
U004	C4761	C-CERA C	CC725CH1H-221J1	1	342102214R1	
U004	C4762	TF C	ECQ-V50V-103J	1	374721034T	
U004	C4770	C-CERA C	CC725CH1H-101J1	1	342101014R1	
U004	C4771	UTSP C	CE04W10V-220M(UTSP)	1	397532217T	
U004	C4780	C-CERA C	CC725CH1H-101J1	1	342101014R1	
U004	C4781	UTSP C	CE04W10V-220M(UTSP)	1	397532217T	
U004	C4796	UTSP C	CE04W25V-47M(UTSP)	1	397554707T	
U004	C4800	C-CERA C	CC725CH1H-102J1	1	342101024R1	
U004	C4802	C-CERA C	CC725CH1H-102J1	1	342101024R1	
U004	C4803	C-CERA C	CC725CH1H-102J1	1	342101024R1	
U004	C4804	C-CERA C	CC725CH1H-102J1	1	342101024R1	
U004	C4805	C-CERA C	CC725CH1H-102J1	1	342101024R1	
U004	C4806	C-CERA C	CC725CH1H-102J1	1	342101024R1	
U004	C4807	C-CERA C	CC725CH1H-102J1	1	342101024R1	
U004	C4808	C-CERA C	CC725CH1H-102J1	1	342101024R1	<B MDC, MDF, MMA, MMB, MMP, MMQ, MMR / S MMP>
U004	C4809	C-CERA C	CC725CH1H-102J1	1	342101024R1	
U004	C4810	TF C	ECQ-V50V-224J	1	374722244T	<B MDC, MDF, MMA, MMB, MMP, MMQ, MMR / S MMP>
U004	C4811	TF C	ECQ-V50V-473J	1	374724734T	<B MDC, MDF, MMA, MMB, MMP, MMQ, MMR / S MMP>
U004	C4812	TF C	ECQ-V50V-223J	1	374722234T	<B MDC, MDF, MMA, MMB, MMP, MMQ, MMR / S MMP>
U004	C4813	TF C	ECQ-V50V-224J	1	374722244T	<B MDC, MDF, MMA, MMB, MMP, MMQ, MMR / S MMP>
U004	C4814	TF C	ECQ-V50V-473J	1	374724734T	<B MDC, MDF, MMA, MMB, MMP, MMQ, MMR / S MMP>
U004	C4815	TF C	ECQ-V50V-223J	1	374722234T	<B MDC, MDF, MMA, MMB, MMP, MMQ, MMR / S MMP>
U004	C4833	UTSP C	CE04W50V-10M(UTSP)	1	397581007T	<B MDC, MDF, MMA, MMB, MMP, MMQ, MMR / S MMP>
U004	C4834	UTSP C	CE04W50V-10M(UTSP)	1	397581007T	<B MDC, MDF, MMA, MMB, MMP, MMQ, MMR / S MMP>
U004	C4835	UTSP C	CE04W50V-10M(UTSP)	1	397581007T	<B MDC, MDF, MMA, MMB, MMP, MMQ, MMR / S MMP>
U004	C4836	UTSP C	CE04W50V-10M(UTSP)	1	397581007T	<B MDC, MDF, MMA, MMB, MMP, MMQ, MMR / S MMP>
U004	C4840	TF C	ECQ-V50V-104J	1	374721044T	
U004	C4900	VR C	CE04W35V-470M(VR)	1	394664717T	
U004	C4901	UTSP C	CE04W50V-22M(UTSP)	1	397582207T	
U004	C4902	UTSP C	CE04W25V-220M(UTSP)	1	397552217T	

U004	C4903	UTSP C	CE04W25V-220M(UTSP)	1	397552217T
U004	C4904	UTSP C	CE04W25V-220M(UTSP)	1	397552217T
U004	C4905	UTSP C	CE04W25V-220M(UTSP)	1	397552217T
U004	C4910	VR C	CE04W35V-470M(VR)	1	394664717T
U004	C4911	UTSP C	CE04W50V-22M(UTSP)	1	397582207T
U004	C4912	UTSP C	CE04W25V-220M(UTSP)	1	397552217T
U004	C4913	UTSP C	CE04W25V-220M(UTSP)	1	397552217T
U004	C4914	UTSP C	CE04W10V-470M(UTSP)	1	397534717T
U004	C4915	UTSP C	CE04W25V-220M(UTSP)	1	397552217T
U004	<b>[RESISTOR]</b>				
U004	R4503	C-CARBON R	RN72K1J-331JE	1	435033314R1
U004	R4504	C-CARBON R	RN72K1J-331JE	1	435033314R1
U004	R4505	C-CARBON R	RN72K1J-331JE	1	435033314R1
U004	R4506	C-CARBON R	RN72K1J-331JE	1	435033314R1
U004	R4507	C-CARBON R	RN72K1J-331JE	1	435033314R1
U004	R4508	C-CARBON R	RN72K1J-331JE	1	435033314R1
U004	R4509	C-CARBON R	RN72K1J-331JE	1	435033314R1
U004	R4510	C-CARBON R	RN72K1J-331JE	1	435033314R1
U004	R4511	C-CARBON R	RN72K1J-331JE	1	435033314R1
U004	R4512	C-CARBON R	RN72K1J-331JE	1	435033314R1
U004	R4513	C-CARBON R	RN72K1J-331JE	1	435033314R1
U004	R4514	C-CARBON R	RN72K1J-331JE	1	435033314R1
U004	R4515	C-CARBON R	RN72K1J-331JE	1	435033314R1
U004	R4516	C-CARBON R	RN72K1J-331JE	1	435033314R1
U004	R4517	C-CARBON R	RN72K1J-331JE	1	435033314R1
U004	R4518	C-CARBON R	RN72K1J-331JE	1	435033314R1
U004	R4519	C-CARBON R	RN72K1J-331JE	1	435033314R1
U004	R4520	C-CARBON R	RN72K1J-331JE	1	435033314R1
U004	R4521	C-CARBON R	RN72K1J-331JE	1	435033314R1
U004	R4522	C-CARBON R	RN72K1J-331JE	1	435033314R1
U004	R4523	METAL O R	RS1/2WBJ-22	1	443522204T
U004	R4524	METAL O R	RS1/2WBJ-22	1	443522204T
U004	R4526	C-CARBON R	RN72K1J-101JE	1	435031014R1
U004	R4533	C-CARBON R	RN72K1J-224JE	1	435032244R1
U004	R4534	C-CARBON R	RN72K1J-224JE	1	435032244R1
U004	R4535	C-CARBON R	RN72K1J-224JE	1	435032244R1
U004	R4536	C-CARBON R	RN72K1J-224JE	1	435032244R1
U004	R4537	C-CARBON R	RN72K1J-224JE	1	435032244R1
U004	R4538	C-CARBON R	RN72K1J-224JE	1	435032244R1

U004	R4539	C-CARBON R	RN72K1J-224JE	1	435032244R1	
U004	R4540	C-CARBON R	RN72K1J-224JE	1	435032244R1	
U004	R4541	C-CARBON R	RN72K1J-224JE	1	435032244R1	
U004	R4542	C-CARBON R	RN72K1J-224JE	1	435032244R1	
U004	R4543	C-CARBON R	RN72K1J-224JE	1	435032244R1	
U004	R4544	C-CARBON R	RN72K1J-224JE	1	435032244R1	
U004	R4545	C-CARBON R	RN72K1J-224JE	1	435032244R1	
U004	R4546	C-CARBON R	RN72K1J-224JE	1	435032244R1	
U004	R4547	C-CARBON R	RN72K1J-224JE	1	435032244R1	
U004	R4548	C-CARBON R	RN72K1J-224JE	1	435032244R1	
U004	R4549	C-CARBON R	RN72K1J-224JE	1	435032244R1	
U004	R4550	C-CARBON R	RN72K1J-224JE	1	435032244R1	
U004	R4551	C-CARBON R	RN72K1J-224JE	1	435032244R1	
U004	R4552	C-CARBON R	RN72K1J-224JE	1	435032244R1	
U004	R4560	C-CARBON R	RN72K1J-224JE	1	435032244R1	
U004	R4561	C-CARBON R	RN72K1J-224JE	1	435032244R1	
U004	R4562	C-CARBON R	RN72K1J-224JE	1	435032244R1	
U004	R4563	C-CARBON R	RN72K1J-224JE	1	435032244R1	
U004	R4564	C-CARBON R	RN72K1J-224JE	1	435032244R1	
U004	R4565	C-CARBON R	RN72K1J-224JE	1	435032244R1	
U004	R4566	C-CARBON R	RN72K1J-223JE	1	435032234R1	
U004	R4567	C-CARBON R	RN72K1J-224JE	1	435032244R1	
U004	R4570	C-CARBON R	RN72K1J-101JE	1	435031014R1	
U004	R4571	C-CARBON R	RN72K1J-101JE	1	435031014R1	
U004	R4572	C-CARBON R	RN72K1J-101JE	1	435031014R1	
U004	R4573	C-CARBON R	RN72K1J-101JE	1	435031014R1	
U004	R4574	C-CARBON R	RN72K1J-101JE	1	435031014R1	
U004	R4575	C-CARBON R	RN72K1J-101JE	1	435031014R1	
U004	R4576	C-CARBON R	RN72K1J-101JE	1	435031014R1	
U004	R4577	C-CARBON R	RN72K1J-101JE	1	435031014R1	
U004	R4580	C-CARBON R	RN72K1J-224JE	1	435032244R1	<B MDC, MDF, MMA, MMB, MMP, MMQ, MMR / S MMP>
U004	R4581	C-CARBON R	RN72K1J-224JE	1	435032244R1	<B MDC, MDF, MMA, MMB, MMP, MMQ, MMR / S MMP>
U004	R4590	C-CARBON R	RN72K1J-101JE	1	435031014R1	<B MDC, MDF, MMA, MMB, MMP, MMQ, MMR / S MMP>
U004	R4591	C-CARBON R	RN72K1J-101JE	1	435031014R1	<B MDC, MDF, MMA, MMB, MMP, MMQ, MMR / S MMP>
U004	R4600	C-CARBON R	RN72K1J-224JE	1	435032244R1	<B MDC, MDF, MMA, MMB, MMP, MMQ, MMR / S MMP>
U004	R4601	C-CARBON R	RN72K1J-224JE	1	435032244R1	<B MDC, MDF, MMA, MMB, MMP, MMQ, MMR / S MMP>
U004	R4610	C-CARBON R	RN72K1J-101JE	1	435031014R1	<B MDC, MDF, MMA, MMB, MMP, MMQ, MMR / S MMP>
U004	R4611	C-CARBON R	RN72K1J-101JE	1	435031014R1	<B MDC, MDF, MMA, MMB, MMP, MMQ, MMR / S MMP>
U004	R4620	C-CARBON R	RN72K1J-224JE	1	435032244R1	



U004	R4621	C-CARBON R	RN72K1J-224JE	1	435032244R1	
U004	R4622	C-CARBON R	RN72K1J-224JE	1	435032244R1	<B MDC, MDF, MMA, MMB, MMP, MMQ, MMR / S MMP>
U004	R4623	C-CARBON R	RN72K1J-224JE	1	435032244R1	<B MDC, MDF, MMA, MMB, MMP, MMQ, MMR / S MMP>
U004	R4624	C-CARBON R	RN72K1J-224JE	1	435032244R1	<B MDC, MDF, MMA, MMB, MMP, MMQ, MMR / S MMP>
U004	R4625	C-CARBON R	RN72K1J-224JE	1	435032244R1	<B MDC, MDF, MMA, MMB, MMP, MMQ, MMR / S MMP>
U004	R4626	C-CARBON R	RN72K1J-223JE	1	435032234R1	
U004	R4627	C-CARBON R	RN72K1J-224JE	1	435032244R1	
U004	R4630	C-CARBON R	RN72K1J-121JE	1	435031214R1	
U004	R4631	C-CARBON R	RN72K1J-121JE	1	435031214R1	
U004	R4632	C-CARBON R	RN72K1J-121JE	1	435031214R1	<B MDC, MDF, MMA, MMB, MMP, MMQ, MMR / S MMP>
U004	R4633	C-CARBON R	RN72K1J-121JE	1	435031214R1	<B MDC, MDF, MMA, MMB, MMP, MMQ, MMR / S MMP>
U004	R4634	C-CARBON R	RN72K1J-121JE	1	435031214R1	<B MDC, MDF, MMA, MMB, MMP, MMQ, MMR / S MMP>
U004	R4635	C-CARBON R	RN72K1J-121JE	1	435031214R1	<B MDC, MDF, MMA, MMB, MMP, MMQ, MMR / S MMP>
U004	R4636	C-CARBON R	RN72K1J-121JE	1	435031214R1	
U004	R4637	C-CARBON R	RN72K1J-121JE	1	435031214R1	
U004	R4640	C-CARBON R	RN72K1J-101JE	1	435031014R1	
U004	R4641	C-CARBON R	RN72K1J-101JE	1	435031014R1	
U004	R4642	C-CARBON R	RN72K1J-101JE	1	435031014R1	<B MDC, MDF, MMA, MMB, MMP, MMQ, MMR / S MMP>
U004	R4643	C-CARBON R	RN72K1J-101JE	1	435031014R1	<B MDC, MDF, MMA, MMB, MMP, MMQ, MMR / S MMP>
U004	R4644	C-CARBON R	RN72K1J-101JE	1	435031014R1	<B MDC, MDF, MMA, MMB, MMP, MMQ, MMR / S MMP>
U004	R4645	C-CARBON R	RN72K1J-101JE	1	435031014R1	<B MDC, MDF, MMA, MMB, MMP, MMQ, MMR / S MMP>
U004	R4646	C-CARBON R	RN72K1J-101JE	1	435031014R1	
U004	R4647	C-CARBON R	RN72K1J-101JE	1	435031014R1	
U004	R4650	C-CARBON R	RN72K1J-224JE	1	435032244R1	
U004	R4651	C-CARBON R	RN72K1J-224JE	1	435032244R1	
U004	R4652	C-CARBON R	RN72K1J-224JE	1	435032244R1	
U004	R4653	C-CARBON R	RN72K1J-224JE	1	435032244R1	
U004	R4654	C-CARBON R	RN72K1J-224JE	1	435032244R1	
U004	R4655	C-CARBON R	RN72K1J-224JE	1	435032244R1	
U004	R4660	C-CARBON R	RN72K1J-391JE	1	435033914R1	
U004	R4661	C-CARBON R	RN72K1J-391JE	1	435033914R1	
U004	R4662	C-CARBON R	RN72K1J-391JE	1	435033914R1	
U004	R4663	C-CARBON R	RN72K1J-391JE	1	435033914R1	
U004	R4664	C-CARBON R	RN72K1J-391JE	1	435033914R1	
U004	R4665	C-CARBON R	RN72K1J-391JE	1	435033914R1	
U004	R4670	C-CARBON R	RN72K1J-224JE	1	435032244R1	
U004	R4671	C-CARBON R	RN72K1J-224JE	1	435032244R1	
U004	R4680	C-CARBON R	RN72K1J-102JE	1	435031024R1	
U004	R4681	C-CARBON R	RN72K1J-102JE	1	435031024R1	

U004	R4700	C-CARBON R	RN72K1J-101JE	1	435031014R1	<B MDC, MDF, MMA, MMB, MMP, MMQ, MMR / S MMP>
U004	R4701	C-CARBON R	RN72K1J-101JE	1	435031014R1	<B MDC, MDF, MMA, MMB, MMP, MMQ, MMR / S MMP>
U004	R4710	C-CARBON R	RN72K1J-224JE	1	435032244R1	<B MDC, MDF, MMA, MMB, MMP, MMQ, MMR / S MMP>
U004	R4711	C-CARBON R	RN72K1J-224JE	1	435032244R1	<B MDC, MDF, MMA, MMB, MMP, MMQ, MMR / S MMP>
U004	R4720	C-CARBON R	RN72K1J-102JE	1	435031024R1	<B MDC, MDF, MMA, MMB, MMP, MMQ, MMR / S MMP>
U004	R4721	C-CARBON R	RN72K1J-102JE	1	435031024R1	<B MDC, MDF, MMA, MMB, MMP, MMQ, MMR / S MMP>
U004	R4730	C-CARBON R	RN72K1J-101JE	1	435031014R1	<B MDC, MDF, MMA, MMB, MMP, MMQ, MMR / S MMP>
U004	R4731	C-CARBON R	RN72K1J-101JE	1	435031014R1	<B MDC, MDF, MMA, MMB, MMP, MMQ, MMR / S MMP>
U004	R4740	C-CARBON R	RN72K1J-331JE	1	435033314R1	
U004	R4741	C-CARBON R	RN72K1J-563JE	1	435035634R1	
U004	R4742	C-CARBON R	RN72K1J-474JE	1	435034744R1	
U004	R4743	C-CARBON R	RN72K1J-561JE	1	435035614R1	
U004	R4744	C-CARBON R	RN72K1J-274JE	1	435032744R1	
U004	R4745	C-CARBON R	RN72K1J-223JE	1	435032234R1	
U004	R4746	C-CARBON R	RN72K1J-122JE	1	435031224R1	
U004	R4747	C-CARBON R	RN72K1J-101JE	1	435031014R1	
U004	R4748	C-CARBON R	RN72K1J-224JE	1	435032244R1	
U004	R4749	C-CARBON R	RN72K1J-220JE	1	435032204R1	
U004	R4750	C-CARBON R	RN72K1J-331JE	1	435033314R1	
U004	R4751	C-CARBON R	RN72K1J-563JE	1	435035634R1	
U004	R4752	C-CARBON R	RN72K1J-474JE	1	435034744R1	
U004	R4753	C-CARBON R	RN72K1J-561JE	1	435035614R1	
U004	R4754	C-CARBON R	RN72K1J-274JE	1	435032744R1	
U004	R4755	C-CARBON R	RN72K1J-223JE	1	435032234R1	
U004	R4756	C-CARBON R	RN72K1J-122JE	1	435031224R1	
U004	R4757	C-CARBON R	RN72K1J-101JE	1	435031014R1	
U004	R4758	C-CARBON R	RN72K1J-224JE	1	435032244R1	
U004	R4759	C-CARBON R	RN72K1J-220JE	1	435032204R1	
U004	R4760	C-CARBON R	RN72K1J-221JE	1	435032214R1	
U004	R4761	C-CARBON R	RN72K1J-473JE	1	435034734R1	
U004	R4762	C-CARBON R	RN72K1J-681JE	1	435036814R1	
U004	R4763	C-CARBON R	RN72K1J-392JE	1	435033924R1	
U004	R4764	C-CARBON R	RN72K1J-682JE	1	435036824R1	
U004	R4765	C-CARBON R	RN72K1J-152JE	1	435031524R1	
U004	R4770	C-CARBON R	RN72K1J-223JE	1	435032234R1	
U004	R4771	C-CARBON R	RN72K1J-222JE	1	435032224R1	
U004	R4772	C-CARBON R	RN72K1J-681JE	1	435036814R1	
U004	R4773	C-CARBON R	RN72K1J-123JE	1	435031234R1	
U004	R4774	C-CARBON R	RN72K1J-103JE	1	435031034R1	

U004	R4775	C-CARBON R	RN72K1J-220JE	1	435032204R1	
U004	R4780	C-CARBON R	RN72K1J-223JE	1	435032234R1	
U004	R4781	C-CARBON R	RN72K1J-222JE	1	435032224R1	
U004	R4782	C-CARBON R	RN72K1J-681JE	1	435036814R1	
U004	R4783	C-CARBON R	RN72K1J-123JE	1	435031234R1	
U004	R4784	C-CARBON R	RN72K1J-103JE	1	435031034R1	
U004	R4785	C-CARBON R	RN72K1J-220JE	1	435032204R1	
U004	R4796	C-CARBON R	RN72K1J-101JE	1	435031014R1	
U004	R4797	C-CARBON R	RN72K1J-101JE	1	435031014R1	
U004	R4798	C-CARBON R	RN72K1J-101JE	1	435031014R1	<B MDC, MDF, MMA, MMB, MMP, MMQ, MMR / S MMP>
U004	R4799	C-CARBON R	RN72K1J-101JE	1	435031014R1	<B MDC, MDF, MMA, MMB, MMP, MMQ, MMR / S MMP>
U004	R4802	C-CARBON R	RN72K1J-000JE	1	435030004R1	<B MDC, MDF, MMA, MMB, MMP, MMQ, MMR / S MMP>
U004	R4803	C-CARBON R	RN72K1J-472JE	1	435034724R1	<B MDC, MDF, MMA, MMB, MMP, MMQ, MMR / S MMP>
U004	R4805	C-CARBON R	RN72K1J-000JE	1	435030004R1	<B MDC, MDF, MMA, MMB, MMP, MMQ, MMR / S MMP>
U004	R4810	C-CARBON R	RN72K1J-472JE	1	435034724R1	<B MDC, MDF, MMA, MMB, MMP, MMQ, MMR / S MMP>
U004	R4820	C-CARBON R	RN72K1J-104JE	1	435031044R1	
U004	R4821	C-CARBON R	RN72K1J-104JE	1	435031044R1	
U004	R4822	C-CARBON R	RN72K1J-104JE	1	435031044R1	
U004	R4823	C-CARBON R	RN72K1J-104JE	1	435031044R1	
U004	R4825	C-CARBON R	RN72K1J-224JE	1	435032244R1	
U004	R4826	C-CARBON R	RN72K1J-224JE	1	435032244R1	
U004	R4827	C-CARBON R	RN72K1J-224JE	1	435032244R1	
U004	R4829	C-CARBON R	RN72K1J-224JE	1	435032244R1	
U004	R4830	C-CARBON R	RN72K1J-224JE	1	435032244R1	
U004	R4831	C-CARBON R	RN72K1J-224JE	1	435032244R1	<B MDC, MDF, MMA, MMB, MMP, MMQ, MMR / S MMP>
U004	R4832	C-CARBON R	RN72K1J-224JE	1	435032244R1	<B MDC, MDF, MMA, MMB, MMP, MMQ, MMR / S MMP>
U004	R4835	C-CARBON R	RN72K1J-224JE	1	435032244R1	<B MDC, MDF, MMA, MMB, MMP, MMQ, MMR / S MMP>
U004	R4836	C-CARBON R	RN72K1J-224JE	1	435032244R1	<B MDC, MDF, MMA, MMB, MMP, MMQ, MMR / S MMP>
U004	R4839	C-CARBON R	RN72K1J-222JE	1	435032224R1	
U004	R4840	C-CARBON R	RN72K1J-224JE	1	435032244R1	
U004	R4841	C-CARBON R	RN72K1J-224JE	1	435032244R1	
U004	R4842	C-CARBON R	RN72K1J-224JE	1	435032244R1	
U004	R4843	C-CARBON R	RN72K1J-000JE	1	435030004R1	
U004	R4845	C-CARBON R	RN72K1J-224JE	1	435032244R1	<B MDC, MDF, MMA, MMB, MMP, MMQ, MMR / S MMP>
U004	R4846	C-CARBON R	RN72K1J-224JE	1	435032244R1	
U004	R4847	C-CARBON R	RN72K1J-224JE	1	435032244R1	
U004	R4849	C-CARBON R	RN72K1J-224JE	1	435032244R1	<B MDC, MDF, MMA, MMB, MMP, MMQ, MMR / S MMP>
U004	R4850	C-CARBON R	RN72K1J-224JE	1	435032244R1	
U004	R4851	C-CARBON R	RN72K1J-224JE	1	435032244R1	

U004	R4853	C-CARBON R	RN72K1J-000JE	1	435030004R1	
U004	R4854	C-CARBON R	RN72K1J-000JE	1	435030004R1	
U004	R4900	METAL O R	RS1WBJ-22	1	443622204T	
U004	R4901	METAL O R	RS1/2WBJ-330	1	443523314T	
U004	R4902	C-CARBON R	RN72K2E-221JE	1	435222214R1	
U004	R4910	METAL O R	RS1WBJ-22	1	443622204T	
U004	R4911	METAL O R	RS1/2WBJ-330	1	443523314T	
U004	R4912	C-CARBON R	RN72K2E-221JE	1	435222214R1	
U004	R4921	C-CARBON R	RN72K1J-104JE	1	435031044R1	
U004	R4924	C-CARBON R	RN72K1J-104JE	1	435031044R1	<B MDC, MDF, MMA, MMB, MMP, MMQ, MMR / S MMP>
U004	R8030	C-CARBON R	RN72K1J-105JE	1	435031054R1	
U004	R8031	C-CARBON R	RN72K1J-105JE	1	435031054R1	
U004	R8032	C-CARBON R	RN72K1J-105JE	1	435031054R1	
U004	R8033	C-CARBON R	RN72K1J-105JE	1	435031054R1	
U004	<b>[SW TRM]</b>					
U004	E4520	TRM-423(SCREW)	NEJITANSI ST3	1	25060495	
U004	E4521	RETAINER	MET37-0002	1	27142009T	
U004	JL104A	WIRE HOL	NSCT-9P880	1	25051093	<B MDC, MDF, MMA, MMB, MMP, MMQ, MMR / S MMP>
U004	JL4518A	WIRE HOL	NSCT-5P876	1	25051089	
U004	JL9925B	WIRE TRAP	NPLG-5P588	1	25055626	
U004	P4500	PIN JACK	NPJ-2PDWR558	1	25045776	<B MDC, MDF, MMA, MMB, MMP, MMQ, MMR / S MMP>
U004	P4501	PIN JACK	NPJ-6PDBL159	1	25045300	<B MDC, MDF, MMA, MMB, MMP, MMQ, MMR / S MMP>
U004	P4502	PIN JACK	NPJ-6PDBL159	1	25045300	<B MDC, MDF, MMA, MMB, MMP, MMQ, MMR / S MMP>
U004	P4503	PIN JACK	NPJ-4PDGPRW661	1	25045890	<B MDC, MDF, MMA, MMB, MMP, MMQ, MMR / S MMP>
U004	P4504	PIN JACK	NPJ-4PDELNT662	1	25045891	<B MDC, MDF, MMA, MMB, MMP, MMQ, MMR / S MMP>
U004	P4505	PIN JACK	NPJ-2PDWR558	1	25045776	<B MDC, MDF, MMA, MMB, MMP, MMQ, MMR / S MMP>
U004	P4506	PIN JACK	NPJ-1PDG713	1	25045950	<B MDC, MDF, MMA, MMB, MMP, MMQ, MMR / S MMP>
U004	P4507	PIN JACK	NPJ-6PDLENTP701	1	25045935	<B MDC, MDF, MMA, MMB, MMP, MMQ, MMR / S MMP>
U004	P4508	PIN JACK	NPJ-4PDBL162	1	25045303	<B MDC, MDF, MMA, MMB, MMP, MMQ, MMR / S MMP>
U004	P4510A	PLUG	IMSA-9142B-20A	1	25056600	
U004	P4511A	SOCKET	NSCT-19P2199	1	25052302	
U004	P4512B	CRIMP AS	CRIMP SR805_2	1	20799170UL	<B MDC, MDF, MMA, MMB, MMP, MMQ, MMR / S MMP>
U004	P4513	CRIMP AS	CRIMP AS	1	2069925120UL	
U004	P4517B	PLUG	S16B-PH-K-S	1	25056667	<B MDC, MDF, MMA, MMB, MMP, MMQ, MMR / S MMP>
U004	P4519	HOLDER	HOLDER(CLAMP)	1	27190540-1	
U004	P8000	SOCKET	MDS-15P-V02(DSUB15)	1	25053362	
U004	P8002	SOCKET	NSCT-11P2402	1	25052505	
U004	Q4551A	SCREW	3P+10FN(3BC)	1	82143010GR	
U004	Q4551B	HEAT SINK	RAD-177	1	27160517	

U004	Q4561A	SCREW	3P+10FN(3BC)	1	82143010GR		
U005	<b>U005</b>	<b>U0050 + U0051 + U0052 + U0053</b>					
U005	<b>U0050</b>	DAC PC BOARD	BADG-0462-1J/ 1K				
U005	<b>U0051</b>	CPU PC BOARD	BACPU-0463-1J/ 1K				
U005	<b>U0052</b>	ANALOG VIDEO PC BOARD	BAVD-0464-1J/ 1K				
U005	<b>U0054</b>	UNIVERSAL PORT PC BOARD	BAETC-0466-1J/ 1K				
U005							
U005		<b>CIRCUIT NO</b>	<b>PART NAME</b>	<b>DESCRIPTION</b>	<b>Q'TY</b>	<b>PART NO. (SN)</b>	<b>REMARKS</b>
U005		<b>[SEMI CONDUCTOR]</b>					
U005	D2001	C-DIODE	KDS4148U	1	223283R2		
U005	D2001 or	C-DIODE	1SS352	(1)	223234R2		
U005	D2001 or	C-DIODE	MA2J111	(1)	223279R2		
U005	D2002	C-DIODE	KDS4148U	1	223283R2		
U005	D2002 or	C-DIODE	1SS352	(1)	223234R2		
U005	D2002 or	C-DIODE	MA2J111	(1)	223279R2		
U005	D2003	C-DIODE	KDS4148U	1	223283R2		
U005	D2003 or	C-DIODE	1SS352	(1)	223234R2		
U005	D2003 or	C-DIODE	MA2J111	(1)	223279R2		
U005	D2004	ZENER D	UDZS5.6B	1	224550560R2		
U005	D2004 or	ZENER D	MAZ8056-M	(1)	224750562R2		
U005	D2006	DIODE	XBS303V17R	1	22380365R2		
U005	D2007	DIODE	RL1N4003	1	22380260T		
U005	D2008	DIODE	RL1N4003	1	22380260T		
U005	D2021	DIODE	D5SBA20	1	22380130		
U005	D2022	DIODE	D3SBA20	1	22380271F		
U005	D2022 or	DIODE	RBV402	(1)	22380022F		
U005	D2100	DIODE	RL1N4003	1	22380260T	<B MDC, MDF, B MMA, MMB, MMP, MMQ, MMR / S MMP>	
U005	D2107	SPCF D	SIR-34ST3F	1	225456	<B MDC, MDF, B MMA, MMB, MMP, MMQ, MMR / S MMP>	
U005	D2108	C-DIODE	KDS4148U	1	223283R2	<B MDC, MDF, B MMA, MMB, MMP, MMQ, MMR / S MMP>	
U005	D2108 or	C-DIODE	1SS352	(1)	223234R2	<B MDC, MDF, B MMA, MMB, MMP, MMQ, MMR / S MMP>	
U005	D2108 or	C-DIODE	MA2J111	(1)	223279R2	<B MDC, MDF, B MMA, MMB, MMP, MMQ, MMR / S MMP>	
U005	D2109	C-DIODE	KDS4148U	1	223283R2	<B MDC, MDF, B MMA, MMB, MMP, MMQ, MMR / S MMP>	
U005	D2109 or	C-DIODE	1SS352	(1)	223234R2	<B MDC, MDF, B MMA, MMB, MMP, MMQ, MMR / S MMP>	
U005	D2109 or	C-DIODE	MA2J111	(1)	223279R2	<B MDC, MDF, B MMA, MMB, MMP, MMQ, MMR / S MMP>	
U005	D2110	C-DIODE	KDS4148U	1	223283R2	<B MDC, MDF, B MMA, MMB, MMP, MMQ, MMR / S MMP>	
U005	D2110 or	C-DIODE	1SS352	(1)	223234R2	<B MDC, MDF, B MMA, MMB, MMP, MMQ, MMR / S MMP>	
U005	D2110 or	C-DIODE	MA2J111	(1)	223279R2	<B MDC, MDF, B MMA, MMB, MMP, MMQ, MMR / S MMP>	
U005	D2111	C-DIODE	KDS4148U	1	223283R2	<B MDC, MDF, B MMA, MMB, MMP, MMQ, MMR / S MMP>	

U005	D2111 or	C-DIODE	ISS352	(1)	223234R2	<B MDC, MDF, B MMA, MMB, MMP, MMQ, MMR / S MMP>
U005	D2111 or	C-DIODE	MA2J111	(1)	223279R2	<B MDC, MDF, B MMA, MMB, MMP, MMQ, MMR / S MMP>
U005	D7000	C-DIODE	KDS4148U	1	223283R2	
U005	D7000 or	C-DIODE	ISS352	(1)	223234R2	
U005	D7000 or	C-DIODE	MA2J111	(1)	223279R2	
U005	D7001	C-DIODE	KDS4148U	1	223283R2	
U005	D7001 or	C-DIODE	ISS352	(1)	223234R2	
U005	D7001 or	C-DIODE	MA2J111	(1)	223279R2	
U005	D7002	C-DIODE	KDS4148U	1	223283R2	
U005	D7002 or	C-DIODE	ISS352	(1)	223234R2	
U005	D7002 or	C-DIODE	MA2J111	(1)	223279R2	
U005	D7003	C-DIODE	KDS4148U	1	223283R2	
U005	D7003 or	C-DIODE	ISS352	(1)	223234R2	
U005	D7003 or	C-DIODE	MA2J111	(1)	223279R2	
U005	Q10	IC	NJM4580M-D	1	22241448R2	<B MDC, MDF>
U005	Q1001	IC	CY2305SXC-1T	1	22242573R2	
U005	Q1001 or	IC	CY2305ESXC-1T	(1)	22242638R2	
U005	Q101	IC	LC72725KV-TLM-E	1	22242584R2	<B MMA, MMB, MMP, MMQ, MMR / S MMP>
U005	Q102	IC	S-812C33AUA-C2N	1	22242222R2	<B MMA, MMB, MMP, MMQ, MMR / S MMP>
U005	Q1301	IC	TA4805BF(TE16L_NQ)	1	22278005DBR2TO	
U005	Q1302	IC	NJM2855DL1-33	1	22278033QR2JR	N
U005	Q1303	IC	TA4805BF(TE16L_NQ)	1	22278005DBR2TO	
U005	Q1311	IC	PCM9210PTR	1	22242629R2	
U005	Q1322	IC	CS5361-KZZR	1	22242646R2	N
U005	Q1325	IC	74HCU04F	1	222740046R2	
U005	Q1421	IC	PCM1690DCAR	1	22242599R2	
U005	Q1601	IC	NJM4580M-D	1	22241448R2	
U005	Q1602	IC	NJM4580M-D	1	22241448R2	
U005	Q1603	IC	NJM4580M-D	1	22241448R2	
U005	Q1604	IC	NJM4580M-D	1	22241448R2	
U005	Q1800	IC	NJM4580M-D	1	22241448R2	
U005	Q1801	IC	NJM4580M-D	1	22241448R2	
U005	Q2	IC	78M09HF(NJM78M09DL1A)	1	222780095R2JR	<B MDC, MDF, B MMA, MMB, MMP, MMQ, MMR / S MMP>
U005	Q2004	IC	MP2363DN-LF-Z	1	22242627R2	
U005	Q2108	IC	ICL3221ECVZ	1	22242268R2	<B MDC, MDF, B MMA, MMB, MMP, MMQ, MMR / S MMP>
U005	Q2109	IC	NJW1325	1	22242596R3	
U005	Q2113	TR	2SA854S-R	1	2217394T	<B MDC, MDF, B MMA, MMB, MMP, MMQ, MMR / S MMP>
U005	Q2114	TR	KRC102S	1	2216190R2	<B MDC, MDF, B MMA, MMB, MMP, MMQ, MMR / S MMP>
U005	Q2114 or	TR	RN1402	(1)	2214470R2	<B MDC, MDF, B MMA, MMB, MMP, MMQ, MMR / S MMP>

U005	Q2115	TR	2SA1162-GR	1	2214375R2	<B MDC, MDF, B MMA, MMB, MMP, MMQ, MMR / S MMP>
U005	Q2116	TR	KRC102S	1	2216190R2	<B MDC, MDF, B MMA, MMB, MMP, MMQ, MMR / S MMP>
U005	Q2116 or	TR	RN1402	(1)	2214470R2	<B MDC, MDF, B MMA, MMB, MMP, MMQ, MMR / S MMP>
U005	Q7000	TR	KRC104S	1	2216210R2	
U005	Q7000 or	TR	RN1404	(1)	2214490R2	
U005	Q7001	TR	KRA102S	1	2216220R2	
U005	Q7001 or	TR	RN2402	(1)	2214530R2	
U005	Q7003	TR	KRC104S	1	2216210R2	
U005	Q7003 or	TR	RN1404	(1)	2214490R2	
U005	Q7004	TR	KRA102S	1	2216220R2	
U005	Q7004 or	TR	RN2402	(1)	2214530R2	
U005	Q7005	TR	KRC102S	1	2216190R2	
U005	Q7005 or	TR	RN1402	(1)	2214470R2	
U005	Q7006	TR	KRA107S	1	2216350R2	
U005	Q7006 or	TR	RN2407(TE85L_F)	(1)	2216360R2	
U005	Q7008	TR	KRC102S	1	2216190R2	
U005	Q7008 or	TR	RN1402	(1)	2214470R2	
U005	Q7009	TR	KRA107S	1	2216350R2	
U005	Q7009 or	TR	RN2407(TE85L_F)	(1)	2216360R2	
U005	Q7011	TR	KRC104S	1	2216210R2	
U005	Q7011 or	TR	RN1404	(1)	2214490R2	
U005	Q7012	TR	KRA102S	1	2216220R2	
U005	Q7012 or	TR	RN2402	(1)	2214530R2	
U005	Q7013	TR	KRC102S	1	2216190R2	
U005	Q7013 or	TR	RN1402	(1)	2214470R2	
U005	Q7014	TR	KRC104S	1	2216210R2	
U005	Q7014 or	TR	RN1404	(1)	2214490R2	
U005	Q7015	TR	KRA102S	1	2216220R2	
U005	Q7015 or	TR	RN2402	(1)	2214530R2	
U005	Q7016	TR	KRC104S	1	2216210R2	
U005	Q7016 or	TR	RN1404	(1)	2214490R2	
U005	Q7017	TR	KRA102S	1	2216220R2	
U005	Q7017 or	TR	RN2402	(1)	2214530R2	
U005	Q7018	TR	KRC104S	1	2216210R2	
U005	Q7018 or	TR	RN1404	(1)	2214490R2	
U005	Q7019	TR	KRA102S	1	2216220R2	
U005	Q7019 or	TR	RN2402	(1)	2214530R2	
U005	Q7020	IC (MAIN MICROPROCESSOR)	MPD70F3746GJ-GAE-AX(0358)	1	222W0079R303580	
U005	Q7021	TR	KRC104S	1	2216210R2	

U005	Q7021 or	TR	RN1404	(1)	2214490R2	
U005	Q7022	TR	KRA102S	1	2216220R2	
U005	Q7022 or	TR	RN2402	(1)	2214530R2	
U005	Q7023	IC	XC6202P502FR	1	22242331R2	
U005	Q7024	TR	KRC104S	1	2216210R2	
U005	Q7024 or	TR	RN1404	(1)	2214490R2	
U005	Q7025	TR	KRA102S	1	2216220R2	
U005	Q7025 or	TR	RN2402	(1)	2214530R2	
U005	Q7026	IC	XC6213B332MR	1	22242277R2	
U005	Q7027	TR	KRC104S	1	2216210R2	
U005	Q7027 or	TR	RN1404	(1)	2214490R2	
U005	Q7028	TR	KRA102S	1	2216220R2	
U005	Q7028 or	TR	RN2402	(1)	2214530R2	
U005	Q7029	IC	S-812C33AUA-C2N	1	22242222R2	
U005	Q7030	TR	KRC104S	1	2216210R2	
U005	Q7030 or	TR	RN1404	(1)	2214490R2	
U005	Q7031	TR	KRA102S	1	2216220R2	
U005	Q7031 or	TR	RN2402	(1)	2214530R2	
U005	Q7032	IC	S-812C56AUA-C3K	1	22242207R2	
U005	Q7033	IC	R1EX25064ASA00A	1	22242581R2	
U005	Q7034	IC	NJU7706F27A3	1	22242614R2	
U005	Q7035	TR	2SC2712-GR	1	2213145R2	<B MDC, MDF, B MMA, MMB, MMP, MMQ, MMR / S MMP>
U005	Q7036	IC	S3F80K9	1	22242602R3	<B MDC, MDF, B MMA, MMB, MMP, MMQ, MMR / S MMP>
U005	Q7900	IC	NJM4580M-D	1	22241448R2	
U005	Q7903	IC	NJM2505AF	1	22242490R2	
U005	Q7903 or	IC	BH7673G-TR	(1)	22242661R2	
U005	Q7904	IC	XC6202P502FR	1	22242331R2	
U005	Q9	IC	NJM4580M-D	1	22241448R2	<B MDC, MDF, B MMA, MMB, MMP, MMQ, MMR / S MMP>
U005	<b>[TRANS COIL]</b>					
U005	L1002	CORE	MMZ1608Y601BT	1	2350004R1	
U005	L1100	CHOKE COIL	LBC2518T4R7M	1	231364M047R2	
U005	L1101	CHOKE COIL	LBC2518T4R7M	1	231364M047R2	
U005	L1102	CHOKE COIL	LBC2518T4R7M	1	231364M047R2	
U005	L1110	EMIFIL	BK1608LM182-T	1	230958R1	
U005	L1111	CORE	MMZ1608Y601BT	1	2350004R1	
U005	L1301	CHOKE COIL	LBC2518T470M	1	231364M470R2	
U005	L1305	CHOKE COIL	LBC2518T2R2M	1	231364M022R2	
U005	L1307	CHOKE COIL	LBC2518T2R2M	1	231364M022R2	
U005	L1308	CHOKE COIL	LBC2518T2R2M	1	231364M022R2	



U005	L1312	CHOKE COIL	LBC2518T470M	1	231364M470R2	
U005	L1313	CHOKE COIL	LBC2518T470M	1	231364M470R2	
U005	L1319	CHOKE COIL	LBC2518T470M	1	231364M470R2	
U005	L1323	EMIFIL	BK1608HS102-T	1	230955R2	
U005	L1324	EMIFIL	BK1608HS102-T	1	230955R2	
U005	L1325	EMIFIL	BK1608HS102-T	1	230955R2	
U005	L1326	CHOKE COIL	LBC2518T470M	1	231364M470R2	
U005	L1336	CHOKE COIL	LBC2518T470M	1	231364M470R2	
U005	L1404	CHOKE COIL	LBC2518T4R7M	1	231364M047R2	
U005	L1407	CHOKE COIL	LBC2518T4R7M	1	231364M047R2	
U005	L2004	CHOKE COIL	BLM21PG221SN1	1	230949R2	
U005	L2005	CHOKE COIL	BLM21PG221SN1	1	230949R2	
U005	L2006	CHOKE COIL	BLM21PG221SN1	1	230949R2	
U005	L2012	CHOKE COIL	0182-7E08Q-100M-RA	1	231396M100R2	
U005	L2101	CHOKE COIL	LBC2518T470M	1	231364M470R2	<B MDC, MDF, B MMA, MMB, MMP, MMQ, MMR / S MMP>
U005	L2104	EMIFIL	BK1608LM182-T	1	230958R1	<B MDC, MDF, B MMA, MMB, MMP, MMQ, MMR / S MMP>
U005	L2105	EMIFIL	BK1608LM182-T	1	230958R1	<B MDC, MDF, B MMA, MMB, MMP, MMQ, MMR / S MMP>
U005	L2106	CHOKE COIL	LBC2518T4R7M	1	231364M047R2	
U005	L5	CHOKE COIL	LBC2518T100M	1	231364M100R2	<B MDC, MDF, B MMA, MMB, MMP, MMQ, MMR / S MMP>
U005	L7001	CHOKE COIL	BLM21PG221SN1	1	230949R2	
U005	L7900	EMIFIL	BK1608LM182-T	1	230958R1	
U005	L7901	EMIFIL	BK1608LM182-T	1	230958R1	
U005	L7902	EMIFIL	BK1608LM182-T	1	230958R1	
U005	L7903	EMIFIL	BK1608LM182-T	1	230958R1	
U005	L7904	EMIFIL	BK1608LM182-T	1	230958R1	
U005	L7905	EMIFIL	BK1608LM182-T	1	230958R1	
U005	L7906	EMIFIL	BK1608LM182-T	1	230958R1	
U005	L7907	EMIFIL	BK1608LM182-T	1	230958R1	
U005	L7908	EMIFIL	BK1608LM182-T	1	230958R1	
U005	L7909	EMIFIL	BK1608LM182-T	1	230958R1	
U005	L7910	EMIFIL	BK1608LM182-T	1	230958R1	
U005	L7911	EMIFIL	BK1608LM182-T	1	230958R1	
U005	L7912	EMIFIL	BK1608LM182-T	1	230958R1	
U005	L7913	EMIFIL	BK1608LM182-T	1	230958R1	
U005	L7914	CHOKE COIL	BLM21PG221SN1	1	230949R2	
U005	L7917	CHOKE COIL	BLM21PG221SN1	1	230949R2	
U005	L7918	EMIFIL	BK1608LM182-T	1	230958R1	
U005	L7919	EMIFIL	BK1608LM182-T	1	230958R1	
U005	L7920	CHOKE COIL	BLM21PG221SN1	1	230949R2	

U005	L7921	CHOKE COIL	BLM21PG221SN1	1	230949R2	
U005	X101	CRYSTAL	HC-49S 4.332MHz	1	3010469T	<B MMA, MMB, MMP, MMQ, MMR / S MMP>
U005	X1100	CRYSTAL	HC-49US24.576MHz	1	3010490T	
U005	X7000	CERA LOCK	CSTCR5M00G53-B0	1	3010356R2	
U005	X7001	CERA LOCK	CSTCE8M00G55-R0	1	3010416R2	<B MDC, MDF, B MMA, MMB, MMP, MMQ, MMR / S MMP>
U005	<b>[CAPACITOR]</b>					
U005	C1	UTSP C	CE04W50V-10M(UTSP)	1	397581007T	<B MDC, MDF, B MMA, MMB, MMP, MMQ, MMR / S MMP>
U005	C1001	C-CERA C	CK725B0J-106K	1	332091065R2	
U005	C1002	C-CERA C	CK725F1E-104Z1	1	332161040R1	
U005	C101	C-CERA C	CC725CH1H-221J1	1	342102214R1	<B MMA, MMB, MMP, MMQ, MMR / S MMP>
U005	C102	C-CERA C	CC725CH1H-331J1	1	342103314R1	<B MMA, MMB, MMP, MMQ, MMR / S MMP>
U005	C103	UTSP C	CE04W50V-10M(UTSP)	1	397581007T	<B MMA, MMB, MMP, MMQ, MMR / S MMP>
U005	C104	UTSP C	CE04W50V-10M(UTSP)	1	397581007T	<B MMA, MMB, MMP, MMQ, MMR / S MMP>
U005	C105	C-CERA C	CK725B1H-103K1	1	332101035R1	<B MMA, MMB, MMP, MMQ, MMR / S MMP>
U005	C106	C-CERA C	CC725CH1H-331J1	1	342103314R1	<B MMA, MMB, MMP, MMQ, MMR / S MMP>
U005	C107	C-CERA C	CK725F1E-104Z1	1	332161040R1	<B MMA, MMB, MMP, MMQ, MMR / S MMP>
U005	C108	C-CERA C	CC725CH1H-150J1	1	342101504R1	<B MMA, MMB, MMP, MMQ, MMR / S MMP>
U005	C109	C-CERA C	CC725CH1H-150J1	1	342101504R1	<B MMA, MMB, MMP, MMQ, MMR / S MMP>
U005	C110	C-CERA C	CK725F1A-105Z1	1	332181050R1	<B MMA, MMB, MMP, MMQ, MMR / S MMP>
U005	C1100	C-CERA C	CK725F1E-104Z1	1	332161040R1	
U005	C1101	C-CERA C	CC725CH1H-180J1	1	342101804R1	
U005	C1102	C-CERA C	CC725CH1H-180J1	1	342101804R1	
U005	C1103	UTSP C	CE04W10V-470M(UTSP)	1	397534717T	
U005	C1104	C-CERA C	CK725B1H-473K1	1	332104735R1	
U005	C1105	C-CERA C	CK725B1H-223K1	1	332102235R1	
U005	C1106	UTSJ C	CE04W25V-47M(UTSJ)	1	398054707AT	
U005	C1107	C-CERA C	CK725F1E-104Z1	1	332161040R1	
U005	C1108	UTSP C	CE04W10V-470M(UTSP)	1	397534717T	
U005	C1109	C-CERA C	CK725B1H-472K1	1	332104725R1	
U005	C1110	UTSP C	CE04W10V-470M(UTSP)	1	397534717T	
U005	C1111	C-CERA C	CC725CH1H-330J1	1	342103304R1	
U005	C1113	C-CERA C	CK725F1E-104Z1	1	332161040R1	
U005	C1116	C-CERA C	CC725CH1H-330J1	1	342103304R1	
U005	C1117	C-CERA C	CC725CH1H-330J1	1	342103304R1	
U005	C1119	C-CERA C	CC725CH1H-221J1	1	342102214R1	
U005	C1120	UTSJ C	CE04W25V-47M(UTSJ)	1	398054707AT	
U005	C1121	C-CERA C	CC725CH1H-221J1	1	342102214R1	
U005	C1122	C-CERA C	CK725F1E-104Z1	1	332161040R1	
U005	C1125	C-CERA C	CC725CH1H-330J1	1	342103304R1	

U005	C1141	UTSJ C	CE04W25V-47M(UTSJ)	1	398054707AT
U005	C1230	C-CERA C	CC725CH1H-221J1	1	342102214R1
U005	C1303	UTSP C	CE04W50V 47M(UTSP)	1	397584707T
U005	C1304	C-CERA C	CC725CH1H-680J1	1	342106804R1
U005	C1305	VR C	CE04W16V-100M(VR)	1	394641017T
U005	C1306	C-CERA C	CC725CH1H-680J1	1	342106804R1
U005	C1307	UTSP C	CE04W50V 47M(UTSP)	1	397584707T
U005	C1308	C-FILM C	ECHU50V-222J	1	373022224R2
U005	C1309	C-CERA C	CC725CH1H-680J1	1	342106804R1
U005	C1310	VR C	CE04W16V-100M(VR)	1	394641017T
U005	C1312	UTSP C	CE04W10V-470M(UTSP)	1	397534717T
U005	C1313	C-CERA C	CC725CH1H-680J1	1	342106804R1
U005	C1314	C-CERA C	CC725CH1H-680J1	1	342106804R1
U005	C1321	C-CERA C	CK725F1E-104Z1	1	332161040R1
U005	C1331	C-CERA C	CK725F1E-104Z1	1	332161040R1
U005	C1332	UTSP C	CE04W10V-470M(UTSP)	1	397534717T
U005	C1333	UTSP C	CE04W50V 47M(UTSP)	1	397584707T
U005	C1335	VR C	CE04W16V-100M(VR)	1	394641017T
U005	C1365	C-CERA C	CK725F1E-104Z1	1	332161040R1
U005	C1366	C-CERA C	CC725CH1H-101J1	1	342101014R1
U005	C1368	C-CERA C	CC725CH1H-101J1	1	342101014R1
U005	C1375	C-CERA C	CK725F1E-104Z1	1	332161040R1
U005	C1380	C-CERA C	CK725F1E-104Z1	1	332161040R1
U005	C1381	C-CERA C	CC725CH1H-101J1	1	342101014R1
U005	C1385	C-CERA C	CK725B1H-102K1	1	332101025R1
U005	C1389	UTSP C	CE04W10V-470M(UTSP)	1	397534717T
U005	C1390	UTSP C	CE04W10V-470M(UTSP)	1	397534717T
U005	C1391	C-CERA C	CK725F1E-104Z1	1	332161040R1
U005	C1399	VR C	CE04W16V-100M(VR)	1	394641017T
U005	C1400	C-CERA C	CK725F1E-104Z1	1	332161040R1
U005	C1401	C-CERA C	CK725F1E-104Z1	1	332161040R1
U005	C1408	C-CERA C	CC725CH1H-080D1	1	342100802R1
U005	C1409	C-CERA C	CC725CH1H-080D1	1	342100802R1
U005	C1415	C-CERA C	CK725F1E-104Z1	1	332161040R1
U005	C1417	C-CERA C	CK725F1E-104Z1	1	332161040R1
U005	C1419	C-CERA C	CC725CH1H-080D1	1	342100802R1
U005	C1421	UTSP C	CE04W10V-220M(UTSP)	1	397532217T
U005	C1440	UTSP C	CE04W10V-470M(UTSP)	1	397534717T
U005	C1456	C-FILM C	ECHU16V-104J	1	373041044R2

U005	C1464	C-FILM C	ECHU16V-104J	1	373041044R2	
U005	C1465	C-FILM C	ECHU16V-104J	1	373041044R2	
U005	C1499	UTSP C	CE04W10V-100M(UTSP)	1	397531017T	
U005	C1582	C-CERA C	CC725CH1H-680J1	1	342106804R1	
U005	C1583	C-FILM C	ECHU50V-222J	1	373022224R2	
U005	C1600	MKT C	B32529C0102J289	1	376491024T	<B MDC, MDF, B MMA, MMB, MMP, MMQ, MMR / S MMP>
U005	C1601	MKT C	B32529C0102J289	1	376491024T	<B MDC, MDF, B MMA, MMB, MMP, MMQ, MMR / S MMP>
U005	C1602	MKT C	B32529C0102J289	1	376491024T	<B MDC, MDF, B MMA, MMB, MMP, MMQ, MMR / S MMP>
U005	C1603	MKT C	B32529C0102J289	1	376491024T	<B MDC, MDF, B MMA, MMB, MMP, MMQ, MMR / S MMP>
U005	C1604	MKT C	B32529C0102J289	1	376491024T	<B MDC, MDF, B MMA, MMB, MMP, MMQ, MMR / S MMP>
U005	C1605	MKT C	B32529C0102J289	1	376491024T	<B MDC, MDF, B MMA, MMB, MMP, MMQ, MMR / S MMP>
U005	C1606	MKT C	B32529C0102J289	1	376491024T	<B MDC, MDF, B MMA, MMB, MMP, MMQ, MMR / S MMP>
U005	C1607	MKT C	B32529C0102J289	1	376491024T	<B MDC, MDF, B MMA, MMB, MMP, MMQ, MMR / S MMP>
U005	C1610	UPZ C	2AUPZTF101JE	1	376331014T	<B MDC, MDF, B MMA, MMB, MMP, MMQ, MMR / S MMP>
U005	C1611	UPZ C	2AUPZTF101JE	1	376331014T	<B MDC, MDF, B MMA, MMB, MMP, MMQ, MMR / S MMP>
U005	C1612	UPZ C	2AUPZTF101JE	1	376331014T	<B MDC, MDF, B MMA, MMB, MMP, MMQ, MMR / S MMP>
U005	C1613	UPZ C	2AUPZTF101JE	1	376331014T	<B MDC, MDF, B MMA, MMB, MMP, MMQ, MMR / S MMP>
U005	C1614	UPZ C	2AUPZTF101JE	1	376331014T	<B MDC, MDF, B MMA, MMB, MMP, MMQ, MMR / S MMP>
U005	C1615	UPZ C	2AUPZTF101JE	1	376331014T	<B MDC, MDF, B MMA, MMB, MMP, MMQ, MMR / S MMP>
U005	C1616	UPZ C	2AUPZTF101JE	1	376331014T	<B MDC, MDF, B MMA, MMB, MMP, MMQ, MMR / S MMP>
U005	C1617	UPZ C	2AUPZTF101JE	1	376331014T	<B MDC, MDF, B MMA, MMB, MMP, MMQ, MMR / S MMP>
U005	C1620	UPZ C	2AUPZTF101JE	1	376331014T	<B MDC, MDF, B MMA, MMB, MMP, MMQ, MMR / S MMP>
U005	C1621	UPZ C	2AUPZTF101JE	1	376331014T	<B MDC, MDF, B MMA, MMB, MMP, MMQ, MMR / S MMP>
U005	C1622	UPZ C	2AUPZTF101JE	1	376331014T	<B MDC, MDF, B MMA, MMB, MMP, MMQ, MMR / S MMP>
U005	C1623	UPZ C	2AUPZTF101JE	1	376331014T	<B MDC, MDF, B MMA, MMB, MMP, MMQ, MMR / S MMP>
U005	C1624	UPZ C	2AUPZTF101JE	1	376331014T	<B MDC, MDF, B MMA, MMB, MMP, MMQ, MMR / S MMP>
U005	C1625	UPZ C	2AUPZTF101JE	1	376331014T	<B MDC, MDF, B MMA, MMB, MMP, MMQ, MMR / S MMP>
U005	C1626	UPZ C	2AUPZTF101JE	1	376331014T	<B MDC, MDF, B MMA, MMB, MMP, MMQ, MMR / S MMP>
U005	C1627	UPZ C	2AUPZTF101JE	1	376331014T	<B MDC, MDF, B MMA, MMB, MMP, MMQ, MMR / S MMP>
U005	C1650	UTSP C	CE04W25V-470M(UTSP)	1	397554717T	
U005	C1651	UTSP C	CE04W25V-470M(UTSP)	1	397554717T	
U005	C1800	UTSP C	CE04W25V-47M(UTSP)	1	397554707T	
U005	C1801	UTSP C	CE04W25V-47M(UTSP)	1	397554707T	
U005	C1810	UTSP C	CE04W25V-47M(UTSP)	1	397554707T	
U005	C1811	UTSP C	CE04W25V-47M(UTSP)	1	397554707T	
U005	C2	VR C	CE04W16V-100M(VR)	1	394641017T	<B MDC, MDF, B MMA, MMB, MMP, MMQ, MMR / S MMP>
U005	C2000	TF C	ECQ-V50V-334J	1	374723344T	
U005	C2002	TF C	ECQ-V50V-334J	1	374723344T	
U005	C2004	UTSP C	CE04W50V-4.7M(UTSP)	1	397580477T	

U005	C2005	ELECT C	CE04W18V-1000M(VZ)	1	3945H1037S	
U005	C2017	C-CERA C	CK725F1E-104Z1	1	332161040R1	
U005	C2018	C-CERA C	CK725F1E-104Z1	1	332161040R1	
U005	C2019	C-CERA C	CK725B1E-106K	1	332221065R2	
U005	C2020	C-CERA C	CK725B1E-106K	1	332221065R2	
U005	C2022	C-CERA C	CK725B1E-106K	1	332221065R2	
U005	C2023	C-CERA C	CK725B1E-106K	1	332221065R2	
U005	C2024	C-CERA C	CK725F1A-105Z1	1	332181050R1	
U005	C2025	VR C	CE04W16V-100M(VR)	1	394641017T	
U005	C2026	C-CERA C	CK725B1H-103K1	1	332101035R1	
U005	C2027	VR C	CE04W16V-100M(VR)	1	394641017T	
U005	C2029	VR C	CE04W16V-4700M(VR)	1	394644727S	
U005	C2044	C-CERA C	CK725B1E-106K	1	332221065R2	
U005	C2106	C-CERA C	CK725B1A-105K1	1	332131055R1	<B MDC, MDF, B MMA, MMB, MMP, MMQ, MMR / S MMP>
U005	C2107	C-CERA C	CK725B1A-105K1	1	332131055R1	<B MDC, MDF, B MMA, MMB, MMP, MMQ, MMR / S MMP>
U005	C2108	C-CERA C	CK725B1A-225K1	1	332132255R1	<B MDC, MDF, B MMA, MMB, MMP, MMQ, MMR / S MMP>
U005	C2109	C-CERA C	CK725B1A-225K1	1	332132255R1	<B MDC, MDF, B MMA, MMB, MMP, MMQ, MMR / S MMP>
U005	C2110	C-CERA C	CK725B0J-225K	1	332092255R1	<B MDC, MDF, B MMA, MMB, MMP, MMQ, MMR / S MMP>
U005	C2111	C-CERA C	CK725B0J-225K	1	332092255R1	<B MDC, MDF, B MMA, MMB, MMP, MMQ, MMR / S MMP>
U005	C2115	UTSP C	CE04W50V-10M(UTSP)	1	397581007T	
U005	C2116	UTSP C	CE04W50V-2.2M(UTSP)	1	397580227T	
U005	C2127	C-CERA C	CK725B1H-102K1	1	332101025R1	
U005	C2128	UTSP C	CE04W50V-2.2M(UTSP)	1	397580227T	
U005	C2137	C-CERA C	CK725F1E-104Z1	1	332161040R1	
U005	C2138	UTSP C	CE04W50V-2.2M(UTSP)	1	397580227T	
U005	C2144	UTSP C	CE04W50V-2.2M(UTSP)	1	397580227T	
U005	C2147	C-CERA C	CK725B1H-102K1	1	332101025R1	
U005	C2148	UTSP C	CE04W50V-1M(UTSP)	1	397580107T	
U005	C2150	UTSP C	CE04W50V-2.2M(UTSP)	1	397580227T	
U005	C2153	C-CERA C	CK725F1E-104Z1	1	332161040R1	
U005	C2159	UTSP C	CE04W25V-47M(UTSP)	1	397554707T	
U005	C2161	UTSP C	CE04W50V-2.2M(UTSP)	1	397580227T	
U005	C2162	VR C	CE04W6.3V-470M(VR)	1	394624717T	
U005	C2169	VR C	CE04W6.3V-470M(VR)	1	394624717T	
U005	C2178	UTSP C	CE04W50V-2.2M(UTSP)	1	397580227T	
U005	C2179	UTSP C	CE04W25V-47M(UTSP)	1	397554707T	
U005	C2180	C-CERA C	CK725F1E-104Z1	1	332161040R1	
U005	C2181	VR C	CE04W6.3V-470M(VR)	1	394624717T	
U005	C2182	C-CERA C	CK725B1H-102K1	1	332101025R1	

U005	C2184	VR C	CE04W6.3V-470M(VR)	1	394624717T	
U005	C2185	UTSP C	CE04W50V-22M(UTSP)	1	397582207T	
U005	C2189	UTSP C	CE04W50V-1M(UTSP)	1	397580107T	<B MDC, MDF, B MMA, MMB, MMP, MMQ, MMR / S MMP>
U005	C2190	VR C	CE04W6.3V-470M(VR)	1	394624717T	
U005	C2191	VR C	CE04W6.3V-470M(VR)	1	394624717T	
U005	C2193	UTSP C	CE04W25V-47M(UTSP)	1	397554707T	
U005	C2194	C-CERA C	CK725F1E-104Z1	1	332161040R1	
U005	C2195	UTSP C	CE04W50V-1M(UTSP)	1	397580107T	<B MDC, MDF, B MMA, MMB, MMP, MMQ, MMR / S MMP>
U005	C2196	UTSP C	CE04W25V-47M(UTSP)	1	397554707T	
U005	C2198	C-CERA C	CK725F1E-104Z1	1	332161040R1	
U005	C2199	C-CERA C	CK725F1E-104Z1	1	332161040R1	<B MDC, MDF, B MMA, MMB, MMP, MMQ, MMR / S MMP>
U005	C2200	VR C	CE04W16V-100M(VR)	1	394641017T	<B MDC, MDF, B MMA, MMB, MMP, MMQ, MMR / S MMP>
U005	C2201	C-CERA C	CK725F1E-104Z1	1	332161040R1	
U005	C2202	UTSP C	CE04W50V-1M(UTSP)	1	397580107T	<B MDC, MDF, B MMA, MMB, MMP, MMQ, MMR / S MMP>
U005	C2203	UTSP C	CE04W25V-47M(UTSP)	1	397554707T	
U005	C2204	VR C	CE04W6.3V-470M(VR)	1	394624717T	
U005	C2205	C-CERA C	CK725B1H-102K1	1	332101025R1	<B MDC, MDF, B MMA, MMB, MMP, MMQ, MMR / S MMP>
U005	C2206	UTSP C	CE04W50V-1M(UTSP)	1	397580107T	<B MDC, MDF, B MMA, MMB, MMP, MMQ, MMR / S MMP>
U005	C2207	VR C	CE04W6.3V-470M(VR)	1	394624717T	
U005	C2208	UTSP C	CE04W25V-47M(UTSP)	1	397554707T	
U005	C2210	VR C	CE04W6.3V-470M(VR)	1	394624717T	
U005	C2212	C-CERA C	CK725B1H-102K1	1	332101025R1	
U005	C2213	VR C	CE04W6.3V-470M(VR)	1	394624717T	
U005	C2214	VR C	CE04W6.3V-470M(VR)	1	394624717T	
U005	C2216	UTSP C	CE04W25V-47M(UTSP)	1	397554707T	
U005	C2217	C-CERA C	CK725F1E-104Z1	1	332161040R1	
U005	C2219	VR C	CE04W6.3V-470M(VR)	1	394624717T	
U005	C2222	VR C	CE04W6.3V-470M(VR)	1	394624717T	
U005	C2224	VR C	CE04W6.3V-470M(VR)	1	394624717T	
U005	C2226	VR C	CE04W6.3V-470M(VR)	1	394624717T	
U005	C2231	C-CERA C	CK725F1E-104Z1	1	332161040R1	
U005	C2233	UTSP C	CE04W50V-1M(UTSP)	1	397580107T	
U005	C2234	UTSP C	CE04W50V-1M(UTSP)	1	397580107T	
U005	C2235	UTSP C	CE04W25V-47M(UTSP)	1	397554707T	
U005	C2237	C-CERA C	CK725B1A-105K1	1	332131055R1	
U005	C2238	UTSP C	CE04W50V-1M(UTSP)	1	397580107T	
U005	C2239	UTSP C	CE04W25V-47M(UTSP)	1	397554707T	
U005	C2240	C-CERA C	CK725F1E-104Z1	1	332161040R1	
U005	C2241	UTSP C	CE04W50V-2.2M(UTSP)	1	397580227T	

U005	C2242	C-CERA C	CK725F1E-104Z1	1	332161040R1	
U005	C2243	C-CERA C	CK725F1E-104Z1	1	332161040R1	
U005	C2244	VR C	CE04W6.3V-220M(VR)	1	394622217T	<B MDC, MDF, B MMA, MMB, MMP, MMQ, MMR / S MMP>
U005	C2246	C-CERA C	CK725B1H-102K1	1	332101025R1	<B MDC, MDF, B MMA, MMB, MMP, MMQ, MMR / S MMP>
U005	C2247	C-CERA C	CK725B1H-102K1	1	332101025R1	
U005	C2248	C-CERA C	CK725B1A-105K1	1	332131055R1	
U005	C2249	UTSP C	CE04W50V-1M(UTSP)	1	397580107T	
U005	C2251	C-CERA C	CC725CH1H-101J1	1	342101014R1	<B MDC, MDF, B MMA, MMB, MMP, MMQ, MMR / S MMP>
U005	C2252	UTSP C	CE04W50V-2.2M(UTSP)	1	397580227T	
U005	C2255	C-CERA C	CC725CH1H-151J1	1	342101514R1	
U005	C2256	C-CERA C	CC725CH1H-151J1	1	342101514R1	
U005	C2257	C-CERA C	CC725CH1H-151J1	1	342101514R1	
U005	C2258	C-CERA C	CK725B1H-102K1	1	332101025R1	
U005	C2259	C-CERA C	CK725B1A-105K1	1	332131055R1	
U005	C2260	UTSP C	CE04W50V-1M(UTSP)	1	397580107T	
U005	C2261	C-CERA C	CC725CH1H-101J1	1	342101014R1	<B MDC, MDF, B MMA, MMB, MMP, MMQ, MMR / S MMP>
U005	C2262	UTSP C	CE04W50V-2.2M(UTSP)	1	397580227T	
U005	C2263	C-CERA C	CK725F1E-104Z1	1	332161040R1	<B MDC, MDF, B MMA, MMB, MMP, MMQ, MMR / S MMP>
U005	C2265	C-CERA C	CK725B1A-105K1	1	332131055R1	
U005	C2267	UTSP C	CE04W50V-1M(UTSP)	1	397580107T	
U005	C2268	UTSP C	CE04W50V-2.2M(UTSP)	1	397580227T	
U005	C2270	C-CERA C	CK725B1H-102K1	1	332101025R1	
U005	C2280	C-CERA C	CC725CH1H-151J1	1	342101514R1	
U005	C2281	C-CERA C	CC725CH1H-151J1	1	342101514R1	
U005	C2282	C-CERA C	CC725CH1H-151J1	1	342101514R1	
U005	C2287	C-CERA C	CK725F1E-104Z1	1	332161040R1	
U005	C45	UTSP C	CE04W25V-220M(UTSP)	1	397552217T	<B MDC, MDF, B MMA, MMB, MMP, MMQ, MMR / S MMP>
U005	C46	UTSP C	CE04W25V-220M(UTSP)	1	397552217T	<B MDC, MDF, B MMA, MMB, MMP, MMQ, MMR / S MMP>
U005	C47	ELECT C	CE04W35V-10M(S)	1	353761009T	<B MDC, MDF, B MMA, MMB, MMP, MMQ, MMR / S MMP>
U005	C48	ELECT C	CE04W35V-10M(S)	1	353761009T	<B MDC, MDF, B MMA, MMB, MMP, MMQ, MMR / S MMP>
U005	C49	C-CERA C	CK725B1H-102K1	1	332101025R1	<B MDC, MDF, B MMA, MMB, MMP, MMQ, MMR / S MMP>
U005	C52	UTSP C	CE04W50V-10M(UTSP)	1	397581007T	<B MDC, MDF>
U005	C53	UTSP C	CE04W50V-10M(UTSP)	1	397581007T	<B MDC, MDF>
U005	C55	C-CERA C	CC725CH1H-101J1	1	342101014R1	<B MDC, MDF, B MMA, MMB, MMP, MMQ, MMR / S MMP>
U005	C56	C-CERA C	CC725CH1H-101J1	1	342101014R1	<B MDC, MDF, B MMA, MMB, MMP, MMQ, MMR / S MMP>
U005	C57	C-CERA C	CC725CH1H-101J1	1	342101014R1	<B MDC, MDF, B MMA, MMB, MMP, MMQ, MMR / S MMP>
U005	C58	C-CERA C	CC725CH1H-101J1	1	342101014R1	<B MDC, MDF, B MMA, MMB, MMP, MMQ, MMR / S MMP>
U005	C7	UTSP C	CE04W25V-47M(UTSP)	1	397554707T	<B MDC, MDF, B MMA, MMB, MMP, MMQ, MMR / S MMP>
U005	C7000	C-CERA C	CK725F1A-105Z1	1	332181050R1	

U005	C7004	C-CERA C	CK725F1A-105Z1	1	332181050R1
U005	C7008	C-CERA C	CK725F1E-104Z1	1	332161040R1
U005	C7009	C-CERA C	CK725F1A-105Z1	1	332181050R1
U005	C7010	C-CERA C	CC725CH1H-101J1	1	342101014R1
U005	C7011	C-CERA C	CC725CH1H-101J1	1	342101014R1
U005	C7013	C-CERA C	CK725F1A-105Z1	1	332181050R1
U005	C7015	C-CERA C	CK725F1A-105Z1	1	332181050R1
U005	C7016	C-CERA C	CK725F1A-105Z1	1	332181050R1
U005	C7017	C-CERA C	CK725F1A-105Z1	1	332181050R1
U005	C7018	UTSP C	CE04W25V-100M(UTSP)	1	397551017T
U005	C7020	UTSP C	CE04W10V-100M(UTSP)	1	397531017T
U005	C7021	UTSP C	CE04W10V-100M(UTSP)	1	397531017T
U005	C7022	C-CERA C	CK725F1A-105Z1	1	332181050R1
U005	C7023	C-CERA C	CK725F1A-105Z1	1	332181050R1
U005	C7024	C-CERA C	CK725B1H-102K1	1	332101025R1
U005	C7025	C-CERA C	CK725B1H-102K1	1	332101025R1
U005	C7026	C-CERA C	CK725F1A-105Z1	1	332181050R1
U005	C7027	UTSP C	CE04W50V-10M(UTSP)	1	397581007T
U005	C7028	UTSP C	CE04W10V-100M(UTSP)	1	397531017T
U005	C7029	C-CERA C	CK725F1E-104Z1	1	332161040R1
U005	C7030	C-CERA C	CK725F1E-104Z1	1	332161040R1
U005	C7031	C-CERA C	CK725B0J-106K	1	332091065R2
U005	C7032	C-CERA C	CK725B1H-102K1	1	332101025R1
U005	C7033	C-CERA C	CK725B1H-102K1	1	332101025R1
U005	C7034	C-CERA C	CK725B1H-102K1	1	332101025R1
U005	C7035	C-CERA C	CK725B1H-102K1	1	332101025R1
U005	C7036	C-CERA C	CK725F1E-104Z1	1	332161040R1
U005	C7037	C-CERA C	CK725F1E-104Z1	1	332161040R1
U005	C7038	C-CERA C	CK725F1E-104Z1	1	332161040R1
U005	C7039	C-CERA C	CK725B1H-102K1	1	332101025R1
U005	C7040	C-CERA C	CK725B1H-102K1	1	332101025R1
U005	C7041	C-CERA C	CK725F1E-104Z1	1	332161040R1
U005	C7042	C-CERA C	CK725F1E-104Z1	1	332161040R1
U005	C7043	C-CERA C	CK725F1E-104Z1	1	332161040R1
U005	C7044	C-CERA C	CK725F1E-104Z1	1	332161040R1
U005	C7045	C-CERA C	CK725F1A-105Z1	1	332181050R1
U005	C7046	UTSP C	CE04W50V-10M(UTSP)	1	397581007T
U005	C7047	UTSP C	CE04W10V-470M(UTSP)	1	397534717T
U005	C7048	C-CERA C	CK725F1E-104Z1	1	332161040R1



U005	C7049	ELECT C	CE04W16V-10M	1	355741009T	
U005	C7051	C-CERA C	CC725CH1H-101J1	1	342101014R1	
U005	C7052	UTSP C	CE04W10V-470M(UTSP)	1	397534717T	<B MDC, MDF, B MMA, MMB, MMP, MMQ, MMR / S MMP>
U005	C7053	C-CERA C	CK725F1E-104Z1	1	332161040R1	<B MDC, MDF, B MMA, MMB, MMP, MMQ, MMR / S MMP>
U005	C7054	C-CERA C	CK725F1E-104Z1	1	332161040R1	
U005	C7900	UTSP C	CE04W50V-10M(UTSP)	1	397581007T	
U005	C7903	C-CERA C	CC725CH1H-101J1	1	342101014R1	
U005	C7904	C-CERA C	CC725CH1H-101J1	1	342101014R1	
U005	C7905	C-CERA C	CK725B1H-102K1	1	332101025R1	
U005	C7906	C-CERA C	CK725F1E-104Z1	1	332161040R1	
U005	C7907	C-CERA C	CK725B1H-102K1	1	332101025R1	
U005	C7908	C-CERA C	CC725CH1H-101J1	1	342101014R1	
U005	C7909	C-CERA C	CC725CH1H-101J1	1	342101014R1	
U005	C7910	C-CERA C	CK725F1E-104Z1	1	332161040R1	
U005	C7912	C-CERA C	CC725CH1H-471J1	1	342104714R1	
U005	C7914	UTSP C	CE04W50V-10M(UTSP)	1	397581007T	
U005	C7915	C-CERA C	CC725CH1H-471J1	1	342104714R1	
U005	C7916	C-CERA C	CC725CH1H-221J1	1	342102214R1	
U005	C7917	C-CERA C	CC725CH1H-221J1	1	342102214R1	
U005	C7935	C-CERA C	CC725CH1H-470J1	1	342104704R1	
U005	C7936	UTSP C	CE04W50V-10M(UTSP)	1	397581007T	
U005	C7937	VR C	CE04W6.3V-470M(VR)	1	394624717T	
U005	C7938	C-CERA C	CK725B1H-102K1	1	332101025R1	
U005	C7939	C-CERA C	CC725CH1H-470J1	1	342104704R1	
U005	C7940	VR C	CE04W6.3V-470M(VR)	1	394624717T	
U005	C7941	UTSP C	CE04W25V-47M(UTSP)	1	397554707T	
U005	C7942	UTSP C	CE04W25V-100M(UTSP)	1	397551017T	
U005	C7943	UTSP C	CE04W10V-100M(UTSP)	1	397531017T	
U005	C7944	C-CERA C	CK725F1E-104Z1	1	332161040R1	
U005	C7945	C-CERA C	CC725CH1H-470J1	1	342104704R1	
U005	C7946	C-CERA C	CK725F1E-104Z1	1	332161040R1	
U005	C7947	C-CERA C	CK725F1E-104Z1	1	332161040R1	
U005	C7948	C-CERA C	CK725F1E-104Z1	1	332161040R1	
U005	C7949	C-CERA C	CK725F1A-105Z1	1	332181050R1	
U005	C7950	C-CERA C	CK725F1A-105Z1	1	332181050R1	
U005	C7951	C-CERA C	CK725F1A-105Z1	1	332181050R1	
U005	C7952	C-CERA C	CC725CH1H-471J1	1	342104714R1	
U005	C7953	C-CERA C	CC725CH1H-471J1	1	342104714R1	
U005	C7954	C-CERA C	CK725F1A-105Z1	1	332181050R1	

U005	C7955	C-CERA C	CK725F1A-105Z1	1	332181050R1	
U005	C7956	C-CERA C	CC725CH1H-471J1	1	342104714R1	
U005	C7957	C-CERA C	CC725CH1H-471J1	1	342104714R1	
U005	C7958	C-CERA C	CK725F1A-105Z1	1	332181050R1	
U005	C7959	C-CERA C	CC725CH1H-101J1	1	342101014R1	
U005	C7960	C-CERA C	CC725CH1H-101J1	1	342101014R1	
U005	<b>[RESISTOR]</b>					
U005	R1004	C-CARBON R	RN72K1J-271JE	1	435032714R1	
U005	R1005	C-CARBON R	RN72K1J-750JE	1	435037504R1	
U005	R11	METAL O R	RS1/2WBJ-10	1	443521004T	<B MDC, MDF, B MMA, MMB, MMP, MMQ, MMR / S MMP>
U005	R1100	C-CARBON R	RN72K1J-221JE	1	435032214R1	
U005	R1101	C-CARBON R	RN72K1J-681JE	1	435036814R1	
U005	R1102	C-CARBON R	RN72K1J-103JE	1	435031034R1	
U005	R1103	C-CARBON R	RN72K1J-103JE	1	435031034R1	
U005	R1104	C-CARBON R	RN72K1J-103JE	1	435031034R1	
U005	R1105	C-CARBON R	RN72K1J-103JE	1	435031034R1	
U005	R1106	C-CARBON R	RN72K1J-221JE	1	435032214R1	
U005	R1107	C-CARBON R	RN72K1J-331JE	1	435033314R1	
U005	R1108	C-CARBON R	RN72K1J-103JE	1	435031034R1	
U005	R1109	C-CARBON R	RN72K1J-221JE	1	435032214R1	
U005	R1110	C-CARBON R	RN72K1J-331JE	1	435033314R1	
U005	R1111	C-CARBON R	RN72K1J-331JE	1	435033314R1	
U005	R1112	C-CARBON R	RN72K1J-470JE	1	435034704R1	
U005	R1113	C-CARBON R	RN72K1J-331JE	1	435033314R1	
U005	R1213	C-CARBON R	RN72K1J-331JE	1	435033314R1	
U005	R1215	C-CARBON R	RN72K1J-103JE	1	435031034R1	
U005	R1217	C-CARBON R	RN72K1J-151JE	1	435031514R1	
U005	R1221	C-CARBON R	RN72K1J-331JE	1	435033314R1	
U005	R1222	C-CARBON R	RN72K1J-750JE	1	435037504R1	
U005	R1223	C-CARBON R	RN72K1J-331JE	1	435033314R1	
U005	R1224	C-CARBON R	RN72K1J-331JE	1	435033314R1	
U005	R1225	C-CARBON R	RN72K1J-331JE	1	435033314R1	
U005	R1226	C-CARBON R	RN72K1J-331JE	1	435033314R1	
U005	R1227	C-CARBON R	RN72K1J-331JE	1	435033314R1	
U005	R1228	C-CARBON R	RN72K1J-331JE	1	435033314R1	
U005	R1229	C-CARBON R	RN72K1J-470JE	1	435034704R1	
U005	R1232	C-CARBON R	RN72K1J-331JE	1	435033314R1	
U005	R1233	C-CARBON R	RN72K1J-331JE	1	435033314R1	
U005	R1241	C-CARBON R	RN72K1J-151JE	1	435031514R1	

U005	R1242	C-CARBON R	RN72K1J-750JE	1	435037504R1
U005	R1243	METAL O R	RS1WBJ-10	1	443621004T
U005	R1244	METAL O R	RS1WBJ-15	1	443621504T
U005	R1245	C-CARBON R	RN72K1J-470JE	1	435034704R1
U005	R1246	C-CARBON R	RN72K1J-000JE	1	435030004R1
U005	R1248	C-CARBON R	RN72K1J-470JE	1	435034704R1
U005	R1249	C-CARBON R	RN72K1J-151JE	1	435031514R1
U005	R1250	C-CARBON R	RN72K1J-470JE	1	435034704R1
U005	R1251	C-CARBON R	RN72K1J-331JE	1	435033314R1
U005	R1252	C-CARBON R	RN72K1J-472JE	1	435034724R1
U005	R1253	C-CARBON R	RN72K1J-331JE	1	435033314R1
U005	R1254	C-CARBON R	RN72K1J-472JE	1	435034724R1
U005	R1255	C-CARBON R	RN72K1J-823JE	1	435038234R1
U005	R1256	C-CARBON R	RN72K1J-151JE	1	435031514R1
U005	R1257	C-CARBON R	RN72K1J-000JE	1	435030004R1
U005	R1259	C-CARBON R	RN72K1J-331JE	1	435033314R1
U005	R1260	C-CARBON R	RN72K1J-470JE	1	435034704R1
U005	R1485	C-CARBON R	RN72K1J-100JE	1	435031004R1
U005	R1486	C-CARBON R	RN72K1J-100JE	1	435031004R1
U005	R1487	C-CARBON R	RN72K1J-750JE	1	435037504R1
U005	R1488	C-CARBON R	RN72K1J-224JE	1	435032244R1
U005	R1490	C-CARBON R	RN72K1J-750JE	1	435037504R1
U005	R1491	C-CARBON R	RN72K1J-224JE	1	435032244R1
U005	R1492	C-CARBON R	RN72K1J-100JE	1	435031004R1
U005	R1496	C-CARBON R	RN72K1J-750JE	1	435037504R1
U005	R1497	C-CARBON R	RN72K1J-224JE	1	435032244R1
U005	R1513	C-CARBON R	RN72K1J-331JE	1	435033314R1
U005	R1515	C-CARBON R	RN72K1J-331JE	1	435033314R1
U005	R1517	C-CARBON R	RN72K1J-331JE	1	435033314R1
U005	R1518	C-CARBON R	RN72K1J-331JE	1	435033314R1
U005	R1519	C-CARBON R	RN72K1J-331JE	1	435033314R1
U005	R1522	C-CARBON R	RN72K1J-103JE	1	435031034R1
U005	R1523	C-CARBON R	RN72K1J-103JE	1	435031034R1
U005	R1524	C-CARBON R	RN72K1J-823JE	1	435038234R1
U005	R1529	C-CARBON R	RN72K1J-470JE	1	435034704R1
U005	R1532	C-CARBON R	RN72K1J-103JE	1	435031034R1
U005	R1534	C-CARBON R	RN72K1J-823JE	1	435038234R1
U005	R1567	C-CARBON R	RN72K1J-331JE	1	435033314R1
U005	R1568	C-CARBON R	RN72K1J-221JE	1	435032214R1





U005	R1778	C-CARBON R	RN72K1J-000JE	1	435030004R1	<B MDC, MDF, B MMA, MMB, MMP, MMQ, MMR / S MMP>
U005	R1779	C-CARBON R	RN72K1J-000JE	1	435030004R1	<B MDC, MDF, B MMA, MMB, MMP, MMQ, MMR / S MMP>
U005	R1780	METAL O R	RS1WBJ-10	1	443621004T	
U005	R1781	METAL O R	RS1WBJ-10	1	443621004T	
U005	R1800	C-CARBON R	RN72K1J-103JE	1	435031034R1	
U005	R1801	C-CARBON R	RN72K1J-103JE	1	435031034R1	
U005	R1802	C-CARBON R	RN72K1J-103JE	1	435031034R1	
U005	R1803	C-CARBON R	RN72K1J-103JE	1	435031034R1	
U005	R1810	C-CARBON R	RN72K1J-101JE	1	435031014R1	
U005	R1811	C-CARBON R	RN72K1J-101JE	1	435031014R1	
U005	R1820	C-CARBON R	RN72K1J-101JE	1	435031014R1	
U005	R1821	C-CARBON R	RN72K1J-101JE	1	435031014R1	
U005	R1830	C-CARBON R	RN72K1J-562JE	1	435035624R1	
U005	R1831	C-CARBON R	RN72K1J-562JE	1	435035624R1	
U005	R1840	C-CARBON R	RN72K1J-393JE	1	435033934R1	
U005	R1841	C-CARBON R	RN72K1J-393JE	1	435033934R1	
U005	R1850	C-CARBON R	RN72K1J-103JE	1	435031034R1	
U005	R1851	C-CARBON R	RN72K1J-103JE	1	435031034R1	
U005	R1860	C-CARBON R	RN72K1J-103JE	1	435031034R1	
U005	R1861	C-CARBON R	RN72K1J-103JE	1	435031034R1	
U005	R1870	C-CARBON R	RN72K1J-562JE	1	435035624R1	
U005	R1871	C-CARBON R	RN72K1J-562JE	1	435035624R1	
U005	R1880	C-CARBON R	RN72K1J-393JE	1	435033934R1	
U005	R1881	C-CARBON R	RN72K1J-393JE	1	435033934R1	
U005	R20	C-CARBON R	RN72K1J-123JE	1	435031234R1	<B MDC, MDF>
U005	R20	C-CARBON R	RN72K1J-272JE	1	435032724R1	<B MMA, MMB, MMP, MMQ, MMR / S MMP>
U005	R2001	METAL R	RNU1/2WCJ-4.7	1	453530474T	
U005	R2003	C-CARBON R	RN72K1J-682JE	1	435036824R1	
U005	R2004	METAL R	RNU1WCJ-0.22	1	453632294T	
U005	R2012	METAL R	RNU1/2WCJ-0.47	1	453534794T	
U005	R2015	C-CARBON R	RN72K1J-822JE	1	435038224R1	
U005	R2017	C-CARBON R	RN72K1J-563FE	1	435035632R1	
U005	R2018	C-CARBON R	RN72K1J-103FE	1	435031032R1	
U005	R21	C-CARBON R	RN72K1J-822JE	1	435038224R1	<B MDC, MDF, B MMA, MMB, MMP, MMQ, MMR / S MMP>
U005	R2112	C-CARBON R	RN72K1J-000JE	1	435030004R1	
U005	R2113	C-CARBON R	RN72K1J-000JE	1	435030004R1	
U005	R2114	C-CARBON R	RN72K1J-000JE	1	435030004R1	
U005	R2115	C-CARBON R	RN72K1J-000JE	1	435030004R1	
U005	R2116	C-CARBON R	RN72K1J-000JE	1	435030004R1	

U005	R2117	C-CARBON R	RN72K1J-000JE	1	435030004R1	
U005	R2135	C-CARBON R	RN72K1J-750JE	1	435037504R1	
U005	R2138	C-CARBON R	RN72K1J-000JE	1	435030004R1	
U005	R2139	C-CARBON R	RN72K1J-000JE	1	435030004R1	
U005	R2142	C-CARBON R	RN72K1J-000JE	1	435030004R1	
U005	R2143	C-CARBON R	RN72K1J-104JE	1	435031044R1	
U005	R2144	C-CARBON R	RN72K1J-104JE	1	435031044R1	
U005	R2145	C-CARBON R	RN72K1J-682JE	1	435036824R1	
U005	R2146	C-CARBON R	RN72K1J-101JE	1	435031014R1	
U005	R2147	C-CARBON R	RN72K1J-750JE	1	435037504R1	
U005	R2150	C-CARBON R	RN72K1J-000JE	1	435030004R1	
U005	R2154	C-CARBON R	RN72K1J-101JE	1	435031014R1	
U005	R2155	C-CARBON R	RN72K1J-750JE	1	435037504R1	
U005	R2156	C-CARBON R	RN72K1J-101JE	1	435031014R1	
U005	R2157	C-CARBON R	RN72K1J-103JE	1	435031034R1	
U005	R2159	C-CARBON R	RN72K1J-392JE	1	435033924R1	
U005	R2161	C-CARBON R	RN72K1J-222JE	1	435032224R1	
U005	R2162	C-CARBON R	RN72K1J-222JE	1	435032224R1	
U005	R2164	C-CARBON R	RN72K1J-750JE	1	435037504R1	
U005	R2166	C-CARBON R	RN72K1J-105JE	1	435031054R1	
U005	R2167	C-CARBON R	RN72K1J-105JE	1	435031054R1	
U005	R2168	C-CARBON R	RN72K1J-105JE	1	435031054R1	
U005	R2169	C-CARBON R	RN72K1J-105JE	1	435031054R1	
U005	R2170	C-CARBON R	RN72K1J-105JE	1	435031054R1	
U005	R2172	C-CARBON R	RN72K1J-750JE	1	435037504R1	
U005	R2175	C-CARBON R	RN72K1J-000JE	1	435030004R1	
U005	R2177	C-CARBON R	RN72K1J-750JE	1	435037504R1	
U005	R2183	C-CARBON R	RN72K1J-331JE	1	435033314R1	<B MDC, MDF, B MMA, MMB, MMP, MMQ, MMR / S MMP>
U005	R2184	C-CARBON R	RN72K1J-750JE	1	435037504R1	
U005	R2185	C-CARBON R	RN72K1J-101JE	1	435031014R1	
U005	R2186	C-CARBON R	RN72K1J-331JE	1	435033314R1	<B MDC, MDF, B MMA, MMB, MMP, MMQ, MMR / S MMP>
U005	R2187	C-CARBON R	RN72K1J-331JE	1	435033314R1	<B MDC, MDF, B MMA, MMB, MMP, MMQ, MMR / S MMP>
U005	R2188	C-CARBON R	RN72K1J-104JE	1	435031044R1	
U005	R2190	C-CARBON R	RN72K1J-101JE	1	435031014R1	
U005	R2192	C-CARBON R	RN72K1J-101JE	1	435031014R1	
U005	R2193	C-CARBON R	RN72K1J-331JE	1	435033314R1	<B MDC, MDF, B MMA, MMB, MMP, MMQ, MMR / S MMP>
U005	R2195	C-CARBON R	RN72K1J-750JE	1	435037504R1	
U005	R2196	C-CARBON R	RN72K1J-103JE	1	435031034R1	<B MDC, MDF, B MMA, MMB, MMP, MMQ, MMR / S MMP>
U005	R2198	C-CARBON R	RN72K1J-104JE	1	435031044R1	

U005	R22	C-CARBON R	RN72K1J-123JE	1	435031234R1	<B MDC, MDF>
U005	R22	C-CARBON R	RN72K1J-272JE	1	435032724R1	<B MMA, MMB, MMP, MMQ, MMR / S MMP>
U005	R2202	C-CARBON R	RN72K1J-103JE	1	435031034R1	<B MDC, MDF, B MMA, MMB, MMP, MMQ, MMR / S MMP>
U005	R2203	C-CARBON R	RN72K1J-750JE	1	435037504R1	
U005	R2204	C-CARBON R	RN72K1J-103JE	1	435031034R1	<B MDC, MDF, B MMA, MMB, MMP, MMQ, MMR / S MMP>
U005	R2205	C-CARBON R	RN72K1J-104JE	1	435031044R1	
U005	R2233	C-CARBON R	RN72K1J-105JE	1	435031054R1	
U005	R2234	C-CARBON R	RN72K1J-392JE	1	435033924R1	
U005	R2235	C-CARBON R	RN72K1J-105JE	1	435031054R1	
U005	R2236	C-CARBON R	RN72K1J-392JE	1	435033924R1	
U005	R2238	C-CARBON R	RN72K1J-105JE	1	435031054R1	
U005	R2239	C-CARBON R	RN72K1J-105JE	1	435031054R1	
U005	R2240	C-CARBON R	RN72K1J-105JE	1	435031054R1	
U005	R2241	C-CARBON R	RN72K1J-105JE	1	435031054R1	
U005	R2242	C-CARBON R	RN72K1J-101JE	1	435031014R1	<B MDC, MDF, B MMA, MMB, MMP, MMQ, MMR / S MMP>
U005	R2243	C-CARBON R	RN72K1J-682JE	1	435036824R1	
U005	R2244	C-CARBON R	RN72K1J-101JE	1	435031014R1	
U005	R2245	C-CARBON R	RN72K1J-104JE	1	435031044R1	
U005	R2246	C-CARBON R	RN72K1J-104JE	1	435031044R1	
U005	R2247	C-CARBON R	RN72K1J-682JE	1	435036824R1	
U005	R2248	C-CARBON R	RN72K1J-101JE	1	435031014R1	
U005	R2249	C-CARBON R	RN72K1J-104JE	1	435031044R1	
U005	R2250	C-CARBON R	RN72K1J-104JE	1	435031044R1	
U005	R2252	C-CARBON R	RN72K1J-105JE	1	435031054R1	
U005	R2253	C-CARBON R	RN72K1J-750JE	1	435037504R1	
U005	R2254	C-CARBON R	RN72K1J-750JE	1	435037504R1	
U005	R2255	C-CARBON R	RN72K1J-750JE	1	435037504R1	
U005	R2256	C-CARBON R	RN72K1J-102JE	1	435031024R1	<B MDC, MDF, B MMA, MMB, MMP, MMQ, MMR / S MMP>
U005	R2257	C-CARBON R	RN72K1J-039JE	1	435030394R1	<B MDC, MDF, B MMA, MMB, MMP, MMQ, MMR / S MMP>
U005	R2258	C-CARBON R	RN72K1J-750JE	1	435037504R1	
U005	R2259	C-CARBON R	RN72K1J-750JE	1	435037504R1	
U005	R2260	C-CARBON R	RN72K1J-750JE	1	435037504R1	
U005	R2261	C-CARBON R	RN72K1J-224JE	1	435032244R1	<B MDC, MDF, B MMA, MMB, MMP, MMQ, MMR / S MMP>
U005	R2262	C-CARBON R	RN72K1J-102JE	1	435031024R1	<B MDC, MDF, B MMA, MMB, MMP, MMQ, MMR / S MMP>
U005	R2263	C-CARBON R	RN72K1J-750JE	1	435037504R1	
U005	R2264	C-CARBON R	RN72K1J-220JE	1	435032204R1	<B MDC, MDF, B MMA, MMB, MMP, MMQ, MMR / S MMP>
U005	R2266	C-CARBON R	RN72K1J-750JE	1	435037504R1	
U005	R2267	C-CARBON R	RN72K1J-224JE	1	435032244R1	<B MDC, MDF, B MMA, MMB, MMP, MMQ, MMR / S MMP>
U005	R2268	C-CARBON R	RN72K1J-750JE	1	435037504R1	



U005	R2269	C-CARBON R	RN72K1J-104JE	1	435031044R1	
U005	R2270	C-CARBON R	RN72K1J-104JE	1	435031044R1	
U005	R2271	C-CARBON R	RN72K1J-104JE	1	435031044R1	
U005	R2272	C-CARBON R	RN72K1J-102JE	1	435031024R1	<B MDC, MDF, B MMA, MMB, MMP, MMQ, MMR / S MMP>
U005	R2274	C-CARBON R	RN72K1J-101JE	1	435031014R1	<B MDC, MDF, B MMA, MMB, MMP, MMQ, MMR / S MMP>
U005	R2277	C-CARBON R	RN72K1J-750JE	1	435037504R1	
U005	R2278	C-CARBON R	RN72K1J-750JE	1	435037504R1	
U005	R2279	C-CARBON R	RN72K1J-750JE	1	435037504R1	
U005	R2283	C-CARBON R	RN72K1J-000JE	1	435030004R1	<B MDC, MDF, B MMA, MMB, MMP, MMQ, MMR / S MMP>
U005	R2284	C-CARBON R	RN72K1J-000JE	1	435030004R1	<B MDC, MDF, B MMA, MMB, MMP, MMQ, MMR / S MMP>
U005	R2285	C-CARBON R	RN72K1J-000JE	1	435030004R1	<B MDC, MDF, B MMA, MMB, MMP, MMQ, MMR / S MMP>
U005	R2290	C-CARBON R	RN72K1J-000JE	1	435030004R1	<B MDC, MDF, B MMA, MMB, MMP, MMQ, MMR / S MMP>
U005	R2296	C-CARBON R	RN72K1J-750JE	1	435037504R1	
U005	R2297	C-CARBON R	RN72K1J-750JE	1	435037504R1	
U005	R2298	C-CARBON R	RN72K1J-750JE	1	435037504R1	
U005	R23	C-CARBON R	RN72K1J-822JE	1	435038224R1	<B MDC, MDF, B MMA, MMB, MMP, MMQ, MMR / S MMP>
U005	R2303	C-CARBON R	RN72K1J-750JE	1	435037504R1	
U005	R2305	C-CARBON R	RN72K1J-750JE	1	435037504R1	
U005	R2307	C-CARBON R	RN72K1J-750JE	1	435037504R1	
U005	R2308	C-CARBON R	RN72K1J-104JE	1	435031044R1	
U005	R2309	C-CARBON R	RN72K1J-104JE	1	435031044R1	
U005	R2310	C-CARBON R	RN72K1J-104JE	1	435031044R1	
U005	R2500	C-CARBON R	RN72K1J-331JE	1	435033314R1	<B MDC, MDF, B MMA, MMB, MMP, MMQ, MMR / S MMP>
U005	R2501	C-CARBON R	RN72K1J-331JE	1	435033314R1	<B MDC, MDF, B MMA, MMB, MMP, MMQ, MMR / S MMP>
U005	R2502	C-CARBON R	RN72K1J-390JE	1	435033904R1	<B MDC, MDF, B MMA, MMB, MMP, MMQ, MMR / S MMP>
U005	R2503	C-CARBON R	RN72K1J-390JE	1	435033904R1	<B MDC, MDF, B MMA, MMB, MMP, MMQ, MMR / S MMP>
U005	R2504	C-CARBON R	RN72K1J-390JE	1	435033904R1	<B MDC, MDF, B MMA, MMB, MMP, MMQ, MMR / S MMP>
U005	R2505	C-CARBON R	RN72K1J-331JE	1	435033314R1	<B MDC, MDF, B MMA, MMB, MMP, MMQ, MMR / S MMP>
U005	R39	C-CARBON R	RN72K1J-220JE	1	435032204R1	<B MDC, MDF>
U005	R41	C-CARBON R	RN72K1J-220JE	1	435032204R1	<B MDC, MDF>
U005	R43	C-CARBON R	RN72K1J-000JE	1	435030004R1	<B MDC, MDF>
U005	R44	NF CARBON R	R25J-10	1	415471004T	<B MMA, MMB, MMP, MMQ, MMR / S MMP>
U005	R45	NF CARBON R	R25J-10	1	415471004T	<B MDC, MDF, B MMA, MMB, MMP, MMQ, MMR / S MMP>
U005	R46	C-CARBON R	RN72K1J-103JE	1	435031034R1	<B MMA, MMB, MMP, MMQ, MMR / S MMP>
U005	R47	C-CARBON R	RN72K1J-101JE	1	435031014R1	<B MMA, MMB, MMP, MMQ, MMR / S MMP>
U005	R48	C-CARBON R	RN72K1J-101JE	1	435031014R1	<B MMA, MMB, MMP, MMQ, MMR / S MMP>
U005	R49	C-CARBON R	RN72K1J-273JE	1	435032734R1	<B MDC, MDF, B MMA, MMB, MMP, MMQ, MMR / S MMP>
U005	R50	C-CARBON R	RN72K1J-273JE	1	435032734R1	<B MDC, MDF, B MMA, MMB, MMP, MMQ, MMR / S MMP>
U005	R51	C-CARBON R	RN72K1J-273JE	1	435032734R1	<B MDC, MDF, B MMA, MMB, MMP, MMQ, MMR / S MMP>

U005	R52	C-CARBON R	RN72K1J-273JE	1	435032734R1	<B MDC, MDF, B MMA, MMB, MMP, MMQ, MMR / S MMP>
U005	R53	C-CARBON R	RN72K1J-183JE	1	435031834R1	<B MDC, MDF, B MMA, MMB, MMP, MMQ, MMR / S MMP>
U005	R54	C-CARBON R	RN72K1J-183JE	1	435031834R1	<B MDC, MDF, B MMA, MMB, MMP, MMQ, MMR / S MMP>
U005	R55	C-CARBON R	RN72K1J-183JE	1	435031834R1	<B MDC, MDF, B MMA, MMB, MMP, MMQ, MMR / S MMP>
U005	R56	C-CARBON R	RN72K1J-183JE	1	435031834R1	<B MDC, MDF, B MMA, MMB, MMP, MMQ, MMR / S MMP>
U005	R57	C-CARBON R	RN72K1J-103JE	1	435031034R1	<B MDC, MDF>
U005	R58	C-CARBON R	RN72K1J-103JE	1	435031034R1	<B MDC, MDF>
U005	R59	C-CARBON R	RN72K1J-103JE	1	435031034R1	<B MDC, MDF>
U005	R60	C-CARBON R	RN72K1J-103JE	1	435031034R1	<B MDC, MDF>
U005	R61	C-CARBON R	RN72K1J-103JE	1	435031034R1	<B MDC, MDF>
U005	R62	C-CARBON R	RN72K1J-103JE	1	435031034R1	<B MDC, MDF>
U005	R63	C-CARBON R	RN72K1J-103JE	1	435031034R1	<B MDC, MDF>
U005	R64	C-CARBON R	RN72K1J-103JE	1	435031034R1	<B MDC, MDF>
U005	R66	NF CARBON R	R25J-10	1	415471004T	<B MDC, MDF, B MMA, MMB, MMP, MMQ, MMR / S MMP>
U005	R7002	C-CARBON R	RN72K1J-102JE	1	435031024R1	
U005	R7004	C-CARBON R	RN72K1J-470JE	1	435034704R1	
U005	R7005	C-CARBON R	RN72K1J-470JE	1	435034704R1	
U005	R7006	C-CARBON R	RN72K1J-470JE	1	435034704R1	
U005	R7007	C-CARBON R	RN72K1J-470JE	1	435034704R1	
U005	R7008	C-CARBON R	RN72K1J-470JE	1	435034704R1	
U005	R7009	C-CARBON R	RN72K1J-470JE	1	435034704R1	
U005	R7010	C-CARBON R	RN72K1J-470JE	1	435034704R1	
U005	R7011	C-CARBON R	RN72K1J-470JE	1	435034704R1	
U005	R7012	C-CARBON R	RN72K1J-470JE	1	435034704R1	
U005	R7013	C-CARBON R	RN72K1J-470JE	1	435034704R1	
U005	R7014	C-CARBON R	RN72K1J-470JE	1	435034704R1	
U005	R7015	C-CARBON R	RN72K1J-470JE	1	435034704R1	
U005	R7016	C-CARBON R	RN72K1J-470JE	1	435034704R1	
U005	R7017	C-CARBON R	RN72K1J-470JE	1	435034704R1	
U005	R7018	C-CARBON R	RN72K1J-470JE	1	435034704R1	
U005	R7019	C-CARBON R	RN72K1J-470JE	1	435034704R1	
U005	R7020	C-CARBON R	RN72K1J-470JE	1	435034704R1	
U005	R7021	C-CARBON R	RN72K1J-470JE	1	435034704R1	
U005	R7022	C-CARBON R	RN72K1J-470JE	1	435034704R1	
U005	R7023	C-CARBON R	RN72K1J-221JE	1	435032214R1	
U005	R7024	C-CARBON R	RN72K1J-221JE	1	435032214R1	
U005	R7025	C-CARBON R	RN72K1J-221JE	1	435032214R1	
U005	R7026	C-CARBON R	RN72K1J-470JE	1	435034704R1	
U005	R7027	C-CARBON R	RN72K1J-470JE	1	435034704R1	

U005	R7028	C-CARBON R	RN72K1J-221JE	1	435032214R1
U005	R7029	C-CARBON R	RN72K1J-221JE	1	435032214R1
U005	R7031	C-CARBON R	RN72K1J-470JE	1	435034704R1
U005	R7038	C-CARBON R	RN72K1J-473JE	1	435034734R1
U005	R7039	C-CARBON R	RN72K1J-473JE	1	435034734R1
U005	R7040	C-CARBON R	RN72K1J-102JE	1	435031024R1
U005	R7041	C-CARBON R	RN72K1J-103JE	1	435031034R1
U005	R7042	C-CARBON R	RN72K1J-470JE	1	435034704R1
U005	R7043	C-CARBON R	RN72K1J-273JE	1	435032734R1
U005	R7044	C-CARBON R	RN72K1J-473JE	1	435034734R1
U005	R7046	C-CARBON R	RN72K1J-473JE	1	435034734R1
U005	R7048	C-CARBON R	RN72K1J-473JE	1	435034734R1
U005	R7049	C-CARBON R	RN72K1J-101JE	1	435031014R1
U005	R7051	C-CARBON R	RN72K1J-103JE	1	435031034R1
U005	R7053	C-CARBON R	RN72K1J-224JE	1	435032244R1
U005	R7054	C-CARBON R	RN72K1J-473JE	1	435034734R1
U005	R7055	C-CARBON R	RN72K1J-101JE	1	435031014R1
U005	R7056	C-CARBON R	RN72K1J-103JE	1	435031034R1
U005	R7057	C-CARBON R	RN72K1J-473JE	1	435034734R1
U005	R7058	C-CARBON R	RN72K1J-473JE	1	435034734R1
U005	R7059	C-CARBON R	RN72K1J-473JE	1	435034734R1
U005	R7060	C-CARBON R	RN72K1J-473JE	1	435034734R1
U005	R7061	C-CARBON R	RN72K1J-473JE	1	435034734R1
U005	R7062	C-CARBON R	RN72K1J-473JE	1	435034734R1
U005	R7063	C-CARBON R	RN72K1J-103JE	1	435031034R1
U005	R7064	C-CARBON R	RN72K1J-102JE	1	435031024R1
U005	R7065	C-CARBON R	RN72K1J-473JE	1	435034734R1
U005	R7066	C-CARBON R	RN72K1J-472JE	1	435034724R1
U005	R7067	C-CARBON R	RN72K1J-473JE	1	435034734R1
U005	R7068	C-CARBON R	RN72K1J-473JE	1	435034734R1
U005	R7069	C-CARBON R	RN72K1J-473JE	1	435034734R1
U005	R7070	C-CARBON R	RN72K1J-473JE	1	435034734R1
U005	R7071	C-CARBON R	RN72K1J-473JE	1	435034734R1
U005	R7072	C-CARBON R	RN72K1J-473JE	1	435034734R1
U005	R7073	C-CARBON R	RN72K1J-473JE	1	435034734R1
U005	R7076	C-CARBON R	RN72K1J-473JE	1	435034734R1
U005	R7077	C-CARBON R	RN72K1J-473JE	1	435034734R1
U005	R7078	C-CARBON R	RN72K1J-473JE	1	435034734R1
U005	R7079	C-CARBON R	RN72K1J-473JE	1	435034734R1

U005	R7080	C-CARBON R	RN72K1J-272JE	1	435032724R1	
U005	R7081	C-CARBON R	RN72K1J-272JE	1	435032724R1	
U005	R7082	C-CARBON R	RN72K1J-272JE	1	435032724R1	
U005	R7085	C-CARBON R	RN72K1J-272JE	1	435032724R1	
U005	R7086	C-CARBON R	RN72K1J-224JE	1	435032244R1	
U005	R7087	C-CARBON R	RN72K1J-221JE	1	435032214R1	
U005	R7088	C-CARBON R	RN72K1J-103JE	1	435031034R1	
U005	R7089	C-CARBON R	RN72K1J-103JE	1	435031034R1	
U005	R7090	C-CARBON R	RN72K1J-103JE	1	435031034R1	
U005	R7091	C-CARBON R	RN72K1J-103JE	1	435031034R1	
U005	R7092	C-CARBON R	RN72K1J-103JE	1	435031034R1	
U005	R7093	C-CARBON R	RN72K1J-470JE	1	435034704R1	
U005	R7094	C-CARBON R	RN72K1J-221JE	1	435032214R1	
U005	R7096	C-CARBON R	RN72K1J-470JE	1	435034704R1	
U005	R7097	C-CARBON R	RN72K1J-102JE	1	435031024R1	
U005	R7098	C-CARBON R	RN72K1J-221JE	1	435032214R1	
U005	R7099	C-CARBON R	RN72K1J-221JE	1	435032214R1	
U005	R7100	C-CARBON R	RN72K1J-221JE	1	435032214R1	
U005	R7101	C-CARBON R	RN72K1J-221JE	1	435032214R1	
U005	R7102	C-CARBON R	RN72K1J-221JE	1	435032214R1	
U005	R7103	C-CARBON R	RN72K1J-470JE	1	435034704R1	
U005	R7104	C-CARBON R	RN72K1J-221JE	1	435032214R1	
U005	R7105	C-CARBON R	RN72K1J-470JE	1	435034704R1	
U005	R7107	C-CARBON R	RN72K1J-221JE	1	435032214R1	
U005	R7108	C-CARBON R	RN72K1J-221JE	1	435032214R1	
U005	R7110	C-CARBON R	RN72K1J-221JE	1	435032214R1	
U005	R7111	C-CARBON R	RN72K1J-470JE	1	435034704R1	<B MDC, MDF, B MMA, MMB, MMP, MMQ, MMR / S MMP>
U005	R7112	C-CARBON R	RN72K1J-470JE	1	435034704R1	<B MDC, MDF, B MMA, MMB, MMP, MMQ, MMR / S MMP>
U005	R7113	C-CARBON R	RN72K1J-102JE	1	435031024R1	
U005	R7114	C-CARBON R	RN72K1J-470JE	1	435034704R1	<B MDC, MDF, B MMA, MMB, MMP, MMQ, MMR / S MMP>
U005	R7115	C-CARBON R	RN72K1J-103JE	1	435031034R1	
U005	R7116	C-CARBON R	RN72K1J-470JE	1	435034704R1	<B MDC, MDF, B MMA, MMB, MMP, MMQ, MMR / S MMP>
U005	R7117	C-CARBON R	RN72K1J-221JE	1	435032214R1	
U005	R7118	C-CARBON R	RN72K1J-470JE	1	435034704R1	<B MDC, MDF>
U005	R7119	C-CARBON R	RN72K1J-221JE	1	435032214R1	
U005	R7120	C-CARBON R	RN72K1J-470JE	1	435034704R1	<B MDC, MDF>
U005	R7122	C-CARBON R	RN72K1J-221JE	1	435032214R1	
U005	R7123	C-CARBON R	RN72K1J-470JE	1	435034704R1	<B MDC, MDF>
U005	R7124	C-CARBON R	RN72K1J-473JE	1	435034734R1	

U005	R7125	C-CARBON R	RN72K1J-221JE	1	435032214R1	
U005	R7126	C-CARBON R	RN72K1J-470JE	1	435034704R1	
U005	R7127	C-CARBON R	RN72K1J-473JE	1	435034734R1	
U005	R7128	C-CARBON R	RN72K1J-221JE	1	435032214R1	
U005	R7129	C-CARBON R	RN72K1J-470JE	1	435034704R1	
U005	R7130	C-CARBON R	RN72K1J-221JE	1	435032214R1	
U005	R7131	C-CARBON R	RN72K1J-221JE	1	435032214R1	<B MMA, MMB, MMP, MMQ, MMR / S MMP>
U005	R7132	C-CARBON R	RN72K1J-102JE	1	435031024R1	
U005	R7133	C-CARBON R	RN72K1J-473JE	1	435034734R1	
U005	R7134	C-CARBON R	RN72K1J-473JE	1	435034734R1	
U005	R7135	C-CARBON R	RN72K1J-221JE	1	435032214R1	
U005	R7136	C-CARBON R	RN72K1J-470JE	1	435034704R1	
U005	R7137	C-CARBON R	RN72K1J-470JE	1	435034704R1	
U005	R7138	C-CARBON R	RN72K1J-221JE	1	435032214R1	
U005	R7140	C-CARBON R	RN72K1J-221JE	1	435032214R1	
U005	R7141	C-CARBON R	RN72K1J-470JE	1	435034704R1	
U005	R7142	C-CARBON R	RN72K1J-102JE	1	435031024R1	
U005	R7143	C-CARBON R	RN72K1J-470JE	1	435034704R1	
U005	R7144	C-CARBON R	RN72K1J-102JE	1	435031024R1	
U005	R7145	C-CARBON R	RN72K1J-221JE	1	435032214R1	
U005	R7146	C-CARBON R	RN72K1J-221JE	1	435032214R1	
U005	R7147	C-CARBON R	RN72K1J-470JE	1	435034704R1	
U005	R7148	METAL R	RNU1WCJ-1.5	1	453630154T	
U005	R7149	METAL R	RNU1WCJ-1.5	1	453630154T	
U005	R7150	C-CARBON R	RN72K1J-473JE	1	435034734R1	
U005	R7151	C-CARBON R	RN72K1J-470JE	1	435034704R1	
U005	R7152	C-CARBON R	RN72K1J-102JE	1	435031024R1	
U005	R7153	C-CARBON R	RN72K1J-221JE	1	435032214R1	
U005	R7154	C-CARBON R	RN72K1J-470JE	1	435034704R1	
U005	R7155	C-CARBON R	RN72K1J-221JE	1	435032214R1	
U005	R7156	C-CARBON R	RN72K1J-470JE	1	435034704R1	
U005	R7157	C-CARBON R	RN72K1J-000JE	1	435030004R1	
U005	R7158	C-CARBON R	RN72K1J-470JE	1	435034704R1	
U005	R7160	C-CARBON R	RN72K1J-000JE	1	435030004R1	<B MDC, MDF, B MMA, MMB, MMP, MMQ, MMR / S MMP>
U005	R7161	C-CARBON R	RN72K1J-470JE	1	435034704R1	
U005	R7162	C-CARBON R	RN72K1J-103JE	1	435031034R1	<B MDC, MDF, B MMA, MMB, MMP, MMQ, MMR / S MMP>
U005	R7163	C-CARBON R	RN72K1J-470JE	1	435034704R1	
U005	R7164	C-CARBON R	RN72K1J-103JE	1	435031034R1	<B MDC, MDF>
U005	R7165	C-CARBON R	RN72K1J-470JE	1	435034704R1	

U005	R7166	C-CARBON R	RN72K1J-472JE	1	435034724R1	
U005	R7167	C-CARBON R	RN72K1J-470JE	1	435034704R1	
U005	R7168	C-CARBON R	RN72K1J-102JE	1	435031024R1	
U005	R7169	C-CARBON R	RN72K1J-472JE	1	435034724R1	
U005	R7170	C-CARBON R	RN72K1J-470JE	1	435034704R1	
U005	R7171	C-CARBON R	RN72K1J-472JE	1	435034724R1	
U005	R7172	C-CARBON R	RN72K1J-472JE	1	435034724R1	
U005	R7173	C-CARBON R	RN72K1J-472JE	1	435034724R1	
U005	R7174	C-CARBON R	RN72K1J-472JE	1	435034724R1	
U005	R7176	C-CARBON R	RN72K1J-272JE	1	435032724R1	
U005	R7177	C-CARBON R	RN72K1J-272JE	1	435032724R1	
U005	R7182	C-CARBON R	RN72K1J-103JE	1	435031034R1	<B MDC, MDF, B MMA, MMB, MMP, MMQ, MMR / S MMP>
U005	R7183	C-CARBON R	RN72K1J-103JE	1	435031034R1	<B MMA, MMB, MMP, MMQ, MMR / S MMP>
U005	R7183	C-CARBON R	RN72K1J-333JE	1	435033334R1	<B MDC, MDF>
U005	R7184	C-CARBON R	RN72K1J-272JE	1	435032724R1	
U005	R7186	C-CARBON R	RN72K1J-473JE	1	435034734R1	
U005	R7187	C-CARBON R	RN72K1J-473JE	1	435034734R1	
U005	R7188	C-CARBON R	RN72K1J-473JE	1	435034734R1	
U005	R7189	C-CARBON R	RN72K1J-272JE	1	435032724R1	
U005	R7190	C-CARBON R	RN72K1J-272JE	1	435032724R1	
U005	R7191	C-CARBON R	RN72K1J-272JE	1	435032724R1	
U005	R7192	C-CARBON R	RN72K1J-272JE	1	435032724R1	
U005	R7194	C-CARBON R	RN72K1J-272JE	1	435032724R1	
U005	R7195	C-CARBON R	RN72K1J-470JE	1	435034704R1	
U005	R7196	C-CARBON R	RN72K1J-102JE	1	435031024R1	
U005	R7197	C-CARBON R	RN72K1J-103JE	1	435031034R1	
U005	R7198	C-CARBON R	RN72K1J-000JE	1	435030004R1	
U005	R7199	C-CARBON R	RN72K1J-470JE	1	435034704R1	
U005	R7200	C-CARBON R	RN72K1J-221JE	1	435032214R1	
U005	R7201	C-CARBON R	RN72K1J-470JE	1	435034704R1	<B MMA, MMB, MMP, MMQ, MMR / S MMP>
U005	R7202	C-CARBON R	RN72K1J-470JE	1	435034704R1	
U005	R7203	C-CARBON R	RN72K1J-221JE	1	435032214R1	
U005	R7204	C-CARBON R	RN72K1J-470JE	1	435034704R1	
U005	R7205	C-CARBON R	RN72K1J-470JE	1	435034704R1	
U005	R7206	C-CARBON R	RN72K1J-470JE	1	435034704R1	
U005	R7207	C-CARBON R	RN72K1J-470JE	1	435034704R1	
U005	R7208	C-CARBON R	RN72K1J-470JE	1	435034704R1	<B MDC, MDF, B MMA, MMB, MMP, MMQ, MMR / S MMP>
U005	R7209	C-CARBON R	RN72K1J-103JE	1	435031034R1	
U005	R7210	C-CARBON R	RN72K1J-221JE	1	435032214R1	

U005	R7211	C-CARBON R	RN72K1J-470JE	1	435034704R1	
U005	R7212	C-CARBON R	RN72K1J-332JE	1	435033324R1	
U005	R7213	C-CARBON R	RN72K1J-332JE	1	435033324R1	
U005	R7214	C-CARBON R	RN72K1J-473JE	1	435034734R1	
U005	R7215	C-CARBON R	RN72K1J-473JE	1	435034734R1	
U005	R7216	C-CARBON R	RN72K1J-103JE	1	435031034R1	
U005	R7217	C-CARBON R	RN72K1J-224JE	1	435032244R1	
U005	R7218	C-CARBON R	RN72K1J-224JE	1	435032244R1	
U005	R7219	C-CARBON R	RN72K1J-472JE	1	435034724R1	
U005	R7220	C-CARBON R	RN72K1J-472JE	1	435034724R1	
U005	R7221	C-CARBON R	RN72K1J-273JE	1	435032734R1	
U005	R7222	C-CARBON R	RN72K1J-273JE	1	435032734R1	
U005	R7224	C-CARBON R	RN72K1J-473JE	1	435034734R1	
U005	R7225	C-CARBON R	RN72K1J-470JE	1	435034704R1	
U005	R7227	C-CARBON R	RN72K1J-470JE	1	435034704R1	
U005	R7228	C-CARBON R	RN72K1J-470JE	1	435034704R1	
U005	R7229	C-CARBON R	RN72K1J-470JE	1	435034704R1	
U005	R7230	C-CARBON R	RN72K1J-470JE	1	435034704R1	
U005	R7231	C-CARBON R	RN72K1J-103JE	1	435031034R1	
U005	R7233	C-CARBON R	RN72K1J-103JE	1	435031034R1	
U005	R7234	C-CARBON R	RN72K1J-103JE	1	435031034R1	<B MDC, MDF>
U005	R7235	C-CARBON R	RN72K1J-473JE	1	435034734R1	
U005	R7236	C-CARBON R	RN72K1J-102JE	1	435031024R1	
U005	R7237	C-CARBON R	RN72K1J-473JE	1	435034734R1	
U005	R7238	C-CARBON R	RN72K1J-470JE	1	435034704R1	
U005	R7239	C-CARBON R	RN72K1J-103JE	1	435031034R1	
U005	R7240	C-CARBON R	RN72K1J-103JE	1	435031034R1	
U005	R7241	C-CARBON R	RN72K1J-470JE	1	435034704R1	<B MDC, MDF, B MMA, MMB, MMP, MMQ, MMR / S MMP>
U005	R7242	C-CARBON R	RN72K1J-221JE	1	435032214R1	
U005	R7243	C-CARBON R	RN72K1J-000JE	1	435030004R1	
U005	R7244	C-CARBON R	RN72K1J-470JE	1	435034704R1	<B MDC, MDF, B MMA, MMB, MMP, MMQ, MMR / S MMP>
U005	R7245	C-CARBON R	RN72K1J-273JE	1	435032734R1	<B MDC, MDF, B MMA, MMB, MMP, MMQ, MMR / S MMP>
U005	R7246	C-CARBON R	RN72K1J-470JE	1	435034704R1	<B MDC, MDF, B MMA, MMB, MMP, MMQ, MMR / S MMP>
U005	R7247	C-CARBON R	RN72K1J-470JE	1	435034704R1	<B MDC, MDF, B MMA, MMB, MMP, MMQ, MMR / S MMP>
U005	R7248	C-CARBON R	RN72K1J-470JE	1	435034704R1	<B MDC, MDF, B MMA, MMB, MMP, MMQ, MMR / S MMP>
U005	R7249	C-CARBON R	RN72K1J-470JE	1	435034704R1	<B MDC, MDF, B MMA, MMB, MMP, MMQ, MMR / S MMP>
U005	R7250	C-CARBON R	RN72K1J-470JE	1	435034704R1	<B MDC, MDF, B MMA, MMB, MMP, MMQ, MMR / S MMP>
U005	R7251	C-CARBON R	RN72K1J-100JE	1	435031004R1	<B MDC, MDF, B MMA, MMB, MMP, MMQ, MMR / S MMP>
U005	R7252	C-CARBON R	RN72K1J-823JE	1	435038234R1	<B MDC, MDF, B MMA, MMB, MMP, MMQ, MMR / S MMP>

U005	R7253	C-CARBON R	RN72K1J-470JE	1	435034704R1	<B MDC, MDF, B MMA, MMB, MMP, MMQ, MMR / S MMP>
U005	R7254	C-CARBON R	RN72K1J-470JE	1	435034704R1	<B MDC, MDF, B MMA, MMB, MMP, MMQ, MMR / S MMP>
U005	R7255	C-CARBON R	RN72K1J-000JE	1	435030004R1	<B MDC, MDF, B MMA, MMB, MMP, MMQ, MMR / S MMP>
U005	R7256	C-CARBON R	RN72K1J-000JE	1	435030004R1	<B MDC, MDF, B MMA, MMB, MMP, MMQ, MMR / S MMP>
U005	R7260	C-CARBON R	RN72K1J-473JE	1	435034734R1	
U005	R7261	C-CARBON R	RN72K1J-473JE	1	435034734R1	
U005	R7900	C-CARBON R	RN72K1J-000JE	1	435030004R1	
U005	R7901	C-CARBON R	RN72K1J-123JE	1	435031234R1	
U005	R7903	C-CARBON R	RN72K1J-104JE	1	435031044R1	
U005	R7904	C-CARBON R	RN72K1J-223JE	1	435032234R1	
U005	R7905	C-CARBON R	RN72K1J-223JE	1	435032234R1	
U005	R7907	C-CARBON R	RN72K1J-105JE	1	435031054R1	
U005	R7908	C-CARBON R	RN72K1J-223JE	1	435032234R1	
U005	R7909	C-CARBON R	RN72K1J-223JE	1	435032234R1	
U005	R7912	C-CARBON R	RN72K1J-104JE	1	435031044R1	
U005	R7914	C-CARBON R	RN72K1J-123JE	1	435031234R1	
U005	R7915	C-CARBON R	RN72K1J-123JE	1	435031234R1	
U005	R7916	C-CARBON R	RN72K1J-000JE	1	435030004R1	
U005	R7917	C-CARBON R	RN72K1J-123JE	1	435031234R1	
U005	R7930	C-CARBON R	RN72K1J-750JE	1	435037504R1	
U005	R7931	C-CARBON R	RN72K1J-220JE	1	435032204R1	
U005	R7932	C-CARBON R	RN72K1J-222JE	1	435032224R1	
U005	R7933	THERMISTOR	FUSB090F	1	4000252T	
U005	R7934	C-CARBON R	RN72K1J-220JE	1	435032204R1	
U005	R7935	C-CARBON R	RN72K1J-220JE	1	435032204R1	
U005	R7936	C-CARBON R	RN72K1J-103JE	1	435031034R1	
U005	R7937	C-CARBON R	RN72K1J-103JE	1	435031034R1	
U005	R7938	C-CARBON R	RN72K1J-471JE	1	435034714R1	
U005	R7939	C-CARBON R	RN72K1J-103JE	1	435031034R1	
U005	R7940	C-CARBON R	RN72K1J-103JE	1	435031034R1	
U005	R7941	C-CARBON R	RN72K1J-471JE	1	435034714R1	
U005	R7942	C-CARBON R	RN72K1J-101JE	1	435031014R1	<B MDC, MDF, B MMA, MMB, MMP, MMQ, MMR / S MMP>
U005	R7943	C-CARBON R	RN72K1J-101JE	1	435031014R1	<B MDC, MDF, B MMA, MMB, MMP, MMQ, MMR / S MMP>
U005	<b>[SW TRM]</b>					
U005	D2021A	HEAT SINK	(S3)	1	27160357	
U005	D2021B	SCREW	3P+10FN(3BC)	1	82143010GR	
U005	F2000A	FUSE HOL	NSCT-1P2031	1	25052133T	!
U005	F2000B	FUSE HOL	NSCT-1P2031	1	25052133T	!
U005	F2001A	FUSE HOL	NSCT-1P2031	1	25052133T	!



U005	F2001B	FUSE HOL	NSCT-1P2031	1	25052133T	!
U005	JL104B	WIRE TRAP	NPLG-9P592	1	25055630	<B MDC, MDF, B MMA, MMB, MMP, MMQ, MMR / S MMP>
U005	JL2100A	WIRE HOL	NSCT-5P896	1	25051109	
U005	JL901B	WIRE TRAP	NPLG-5P588	1	25055626	
U005	P1008B	PLUG	IMSA-9142B-22A	1	25056601	
U005	P103B	SOCKET	NSCT-11P2104	1	25052207	<B MDC, MDF, B MMA, MMB, MMP, MMQ, MMR / S MMP>
U005	P1307	TRM-423(SCREW)	NEJITANSI ST3	1	25060495	
U005	P1309	PIN JACK	NPJ-3PDO656	1	25045884	<B MDC, MDF, B MMA, MMB, MMP, MMQ, MMR / S MMP>
U005	P1309 or	PIN JACK	NPJ-3PDO465	(1)	25045666	<B MDC, MDF, B MMA, MMB, MMP, MMQ, MMR / S MMP>
U005	P2020B	PLUG	NPLG-5P119	1	25055135	
U005	P2101A	SOCKET	NSCT-31P2124	1	25052227	<B MDC, MDF, B MMA, MMB, MMP, MMQ, MMR / S MMP>
U005	P2102A	PLUG	IMSA-9142B-16A	1	25056598	
U005	P2102B	SOCKET	IMSA-9142S-16A	1	25053230	
U005	P2103A	PLUG	IMSA-9142B-18A	1	25056599	
U005	P2103B	SOCKET	IMSA-9142S-18A	1	25053231	
U005	P2107	RETAINER	(JOINT)	1	27142069	
U005	P2108	PIN JACK	NPJ-9PDGLRGLRGLR563	1	25045781	<B MDC, MDF, B MMA, MMB, MMP, MMQ, MMR / S MMP>
U005	P2108 or	PIN JACK	NPJ-9PDGLR519	(1)	25045731	<B MDC, MDF, B MMA, MMB, MMP, MMQ, MMR / S MMP>
U005	P2110	SOCKET	MDS-09P-V-01(DSUB9P)	1	25053363	<B MDC, MDF, B MMA, MMB, MMP, MMQ, MMR / S MMP>
U005	P2114	TRM-423(SCREW)	NEJITANSI ST3	1	25060495	
U005	P2115	PIN JACK	NPJ-10PDBY621	1	25045842	<B MDC, MDF, B MMA, MMB, MMP, MMQ, MMR / S MMP>
U005	P2115 or	PIN JACK	NPJ-10PDBY478	(1)	25045681	<B MDC, MDF, B MMA, MMB, MMP, MMQ, MMR / S MMP>
U005	P2116	ST JACK	MSJ-035-52E-B-AG-PBT	1	25045947	<B MDC, MDF, B MMA, MMB, MMP, MMQ, MMR / S MMP>
U005	P2116 or	ST JACK	HSJ1002-01-6020	(1)	25045647	<B MDC, MDF, B MMA, MMB, MMP, MMQ, MMR / S MMP>
U005	P2118	PIN JACK	NPJ-10PDBY621	1	25045842	<B MDC, MDF, B MMA, MMB, MMP, MMQ, MMR / S MMP>
U005	P2118 or	PIN JACK	NPJ-10PDBY478	(1)	25045681	<B MDC, MDF, B MMA, MMB, MMP, MMQ, MMR / S MMP>
U005	P2119	ST JACK	MSJ-035-52E-B-AG-PBT	1	25045947	<B MDC, MDF, B MMA, MMB, MMP, MMQ, MMR / S MMP>
U005	P2119 or	ST JACK	HSJ1002-01-6020	(1)	25045647	<B MDC, MDF, B MMA, MMB, MMP, MMQ, MMR / S MMP>
U005	P2121	PIN JACK	NPJ-10PDBY621	1	25045842	<B MDC, MDF, B MMA, MMB, MMP, MMQ, MMR / S MMP>
U005	P2121 or	PIN JACK	NPJ-10PDBY478	(1)	25045681	<B MDC, MDF, B MMA, MMB, MMP, MMQ, MMR / S MMP>
U005	P3605B	SOCKET	IMSA-9142S-18A	1	25053231	
U005	P3607B	SOCKET	IMSA-9142S-16A	1	25053230	
U005	P3608B	SOCKET	IMSA-9142S-18A	1	25053231	
U005	P4510B	SOCKET	IMSA-9142S-20A	1	25053232	
U005	P4511B	PLUG	NPLG-19P0974	1	25056024	
U005	P6601B	PLUG	IMSA-9142B-16A	1	25056598	<B MDC, MDF, B MMA, MMB, MMP, MMQ, MMR / S MMP>
U005	P6605B	PLUG	IMSA-9142B-22A	1	25056601	
U005	P7001A	SOCKET	IMSA-9618S-09A	1	25053334R2	
U005	P7008	ST JACK	MSJ-035-22	1	25045887	

U005	P7077	TRM-423(SCREW)	NEJITANSI ST3	1	25060495	
U005	P7501A	PLUG	A2545WR2-2x20P(IDE40SIDE)	1	25056643	
U005	P7900A	PLUG	IMSA-9142B-22A	1	25056601	
U005	P7900B	SOCKET	IMSA-9142S-22A	1	25053233	
U005	P7901	SOCKET	NNA1-01-006	1	25053357	
U005	P8	SOCKET	2MJ-3516-002	1	25053355	<B MDC, MDF>
U005	<b>[TUNER UNIT]</b>					
U005	U1301	PHT CP	JSR1165-001recieving	1	24120143	
U005	U1302	PHT CP	JSR1165-001recieving	1	24120143	
U005	U2100	REMO SENS	KSM-603TE5B	1	24130019	<B MDC, MDF, B MMA, MMB, MMP, MMQ, MMR / S MMP>
U005	<b>[ACCESSARY]</b>					
U005	F2001C	FUSE LABEL	3.15A125V	1	29363739	<B MDC, MDF, B MMA, MMB, MMP, MMQ, MMR / S MMP>
U006	<b>U006</b>	<b>U0060 + U0061 + U00610</b>				
U006	<b>U0060</b>	DISPLAY PC BOARD	BADIS-0135-2A/ 2C			
U006	<b>U0061</b>	SWITCH/ LED PC BOARD	BASW-0136-2A/ 2C			
U006	<b>U0062</b>	HP JACK PC BOARD	BAETC-0137-2A/ 2C			
U006	<b>U0063</b>	FRONT OPT TERMINAL PC BOARD	BAETC-0138-2A/ 2C			
U006	<b>U0064</b>	VOLUME(ROT ENCODER) PC BOARD	BAETC-0139-2A/ 2C			
U006	<b>U0065</b>	POWER SUPPLY PC BOARD	BAPS-0140-2A/ 2C			
U006	<b>U0066</b>	HOLDER PC BOARD	BAETC-0144-2A/ 2C			
U006	<b>U0067</b>	HOLDER PC BOARD	BAETC-0145-2A/ 2C			
U006	<b>U0068</b>	HOLDER PC BOARD	BAETC-0142-2A/ 2C			
U006	<b>U0069</b>	POWER SWITCH PC BOARD	BASW-0143-2A/ 2C			
U006	<b>U00610</b>	HOLDER PC BOARD	BAETC-0128-2A/ 2C			
U006	<b>CIRCUIT NO PART NAME DESCRIPTION Q'TY PART NO. (SN) REMARKS</b>					
U006	<b>[SEMI CONDUCTOR]</b>					
U006	D7500	ZENER D	UDZS10B	1	224551000R2	
U006	D7520	C-DIODE	1SS355	1	223269R2	
U006	D7520 or	C-DIODE	1SS352	(1)	223234R2	
U006	D7520 or	C-DIODE	MA2J111	(1)	223279R2	
U006	D7520 or	C-DIODE	KDS4148U	(1)	223283R2	
U006	D7521	C-DIODE	1SS355	1	223269R2	
U006	D7521 or	C-DIODE	1SS352	(1)	223234R2	
U006	D7521 or	C-DIODE	MA2J111	(1)	223279R2	
U006	D7521 or	C-DIODE	KDS4148U	(1)	223283R2	
U006	D7522	C-DIODE	1SS355	1	223269R2	
U006	D7522 or	C-DIODE	1SS352	(1)	223234R2	

U006	D7522 or	C-DIODE	MA2J111	(1)	223279R2
U006	D7522 or	C-DIODE	KDS4148U	(1)	223283R2
U006	D7523	C-DIODE	ISS355	1	223269R2
U006	D7523 or	C-DIODE	ISS352	(1)	223234R2
U006	D7523 or	C-DIODE	MA2J111	(1)	223279R2
U006	D7523 or	C-DIODE	KDS4148U	(1)	223283R2
U006	D7530	ZENER D	UDZS5.1B	1	224550510R2
U006	D7531	C-DIODE	ISS355	1	223269R2
U006	D7531 or	C-DIODE	ISS352	(1)	223234R2
U006	D7531 or	C-DIODE	MA2J111	(1)	223279R2
U006	D7531 or	C-DIODE	KDS4148U	(1)	223283R2
U006	D7532	C-DIODE	ISS355	1	223269R2
U006	D7532 or	C-DIODE	ISS352	(1)	223234R2
U006	D7532 or	C-DIODE	MA2J111	(1)	223279R2
U006	D7532 or	C-DIODE	KDS4148U	(1)	223283R2
U006	D7560	C-DIODE	ISS355	1	223269R2
U006	D7560 or	C-DIODE	ISS352	(1)	223234R2
U006	D7560 or	C-DIODE	MA2J111	(1)	223279R2
U006	D7560 or	C-DIODE	KDS4148U	(1)	223283R2
U006	D7561	C-DIODE	ISS355	1	223269R2
U006	D7561 or	C-DIODE	ISS352	(1)	223234R2
U006	D7561 or	C-DIODE	MA2J111	(1)	223279R2
U006	D7561 or	C-DIODE	KDS4148U	(1)	223283R2
U006	D7570	SPCF D	TSAL5300	1	225488
U006	D7580	C-DIODE	ISS355	1	223269R2
U006	D7580 or	C-DIODE	ISS352	(1)	223234R2
U006	D7580 or	C-DIODE	MA2J111	(1)	223279R2
U006	D7580 or	C-DIODE	KDS4148U	(1)	223283R2
U006	D7581	C-DIODE	ISS355	1	223269R2
U006	D7581 or	C-DIODE	ISS352	(1)	223234R2
U006	D7581 or	C-DIODE	MA2J111	(1)	223279R2
U006	D7581 or	C-DIODE	KDS4148U	(1)	223283R2
U006	D7582	C-DIODE	ISS355	1	223269R2
U006	D7582 or	C-DIODE	ISS352	(1)	223234R2
U006	D7582 or	C-DIODE	MA2J111	(1)	223279R2
U006	D7582 or	C-DIODE	KDS4148U	(1)	223283R2
U006	D7583	C-DIODE	ISS355	1	223269R2
U006	D7583 or	C-DIODE	ISS352	(1)	223234R2
U006	D7583 or	C-DIODE	MA2J111	(1)	223279R2

U006	D7583 or	C-DIODE	KDS4148U	(1)	223283R2
U006	D7585	LED	SCB3318E-D2	1	225487
U006	D7589	LED	SLI-343Y8C-TE7	1	225490T
U006	D7591	LED	SCB3318E-D2	1	225487
U006	D7592	LED	SLR-342MGTE7P	1	225455T
U006	D7593	LED	SLR-342MGTE7P	1	225455T
U006	D7595	LED	SLI-343URC-TE7	1	225449T
U006	D9306	ZENER D	UDZS30B	1	224553000R2
U006	D9310	ZENER D	UDZS16B	1	224551600R2
U006	D9312	DIODE	RL1N4003	1	22380260T
U006	D9313	DIODE	RL1N4003	1	22380260T
U006	D9314	DIODE	RL1N4003	1	22380260T
U006	D9315	DIODE	RL1N4003	1	22380260T
U006	D9316	DIODE	RL1N4003	1	22380260T
U006	Q7500	FL TUBE	HNA-16SL05T	1	212271A
U006	Q7500A	HOLDER	(FL)	1	27191303
U006	Q7501	IC	M66005-0001AHP	1	22242208R3
U006	Q7502	IC	M66005-0001AHP	1	22242208R3
U006	Q7503	TR	2SC2712-GR	1	2213145R2
U006	Q7504	TR	2SC2712-GR	1	2213145R2
U006	Q7530	IC	NJM4580M-D	1	22241448R2
U006	Q7532	TR	RN1441	1	2215410R2
U006	Q7533	TR	RN2403	1	2214540R2
U006	Q7533 or	TR	KRA103S	(1)	2216230R2
U006	Q7534	IC	NJM4580M-D	1	22241448R2
U006	Q7540	TR	DTA123JKA	1	2214090R2
U006	Q7591	TR	DTC123JKA	1	2216690R2
U006	Q7592	TR	DTC123JKA	1	2216690R2
U006	Q7593	TR	DTC123JKA	1	2216690R2
U006	Q7597	TR	DTC123JKA	1	2216690R2
U006	Q7598	TR	DTC123JKA	1	2216690R2
U006	Q9301	TR	2SC2235-Y(TPE6_F)	1	2211654T
U006	<b>[CHASSIS SCREW]</b>				
U006	D7570A	HOLDER	(LED)LH-5-5	1	27191312
U006	D7591A	HOLDER	(LED)LH-5-5	1	27191312
U006	<b>[TRANS COIL]</b>				
U006	L7520	CHOKE COIL	LBC2518T2R2M	1	231364M022R2
U006	L7530	CHOKE COIL	LBC2518T2R2M	1	231364M022R2
U006	L7580	CHOKE COIL	LBC2518T2R2M	1	231364M022R2

U006	L7581	CHOKE COIL	LBC2518T2R2M	1	231364M022R2
U006	L7582	CHOKE COIL	LBC2518T2R2M	1	231364M022R2
U006	<b>[CAPACITOR]</b>				
U006	C7501	C-CERA C	CK725B1H-223K1	1	332102235R1
U006	C7502	C-CERA C	CK725F1E-104Z1	1	332161040R1
U006	C7503	C-CERA C	CK725F1E-104Z1	1	332161040R1
U006	C7504	C-CERA C	CK725B1H-473K1	1	332104735R1
U006	C7505	C-CERA C	CK725B1H-473K1	1	332104735R1
U006	C7506	ELECT C	CE04W50V-33M	1	355783309T
U006	C7511	C-CERA C	CK725F1E-104Z1	1	332161040R1
U006	C7512	C-CERA C	CC725CH1H-180J1	1	342101804R1
U006	C7513	C-CERA C	CK725F1E-104Z1	1	332161040R1
U006	C7514	C-CERA C	CK725F1E-104Z1	1	332161040R1
U006	C7518	C-CERA C	CK725F1E-104Z1	1	332161040R1
U006	C7519	C-CERA C	CK725F1E-104Z1	1	332161040R1
U006	C7520	C-CERA C	CK725B1H-223K1	1	332102235R1
U006	C7521	UTSP C	CE04W10V-100M(UTSP)	1	397531017T
U006	C7522	C-CERA C	CC725CH1H-221J1	1	342102214R1
U006	C7523	C-CERA C	CC725CH1H-221J1	1	342102214R1
U006	C7524	C-CERA C	CK725B1H-102K1	1	332101025R1
U006	C7530	C-CERA C	CK725B1H-102K1	1	332101025R1
U006	C7531	C-CERA C	CK725B1H-102K1	1	332101025R1
U006	C7533	ELECT C	CE04W35V-47M	1	355764709T
U006	C7534	ELECT C	CE04W16V-47M	1	355744709T
U006	C7535	ELECT C	CE04W35V-10M(S)	1	353761009T
U006	C7536	C-CERA C	CC725CH1H-101J1	1	342101014R1
U006	C7537	C-CERA C	CC725CH1H-330J1	1	342103304R1
U006	C7538	ELECT C	CE04W35V-10M(S)	1	353761009T
U006	C7539	ELECT C	CE04W35V-10M(S)	1	353761009T
U006	C7540	ELECT C	CE04W35V-10M(S)	1	353761009T
U006	C7543	C-CERA C	CK725B1H-102K1	1	332101025R1
U006	C7560	ELECT C	CE04W6.3V-220M	1	355722219T
U006	C7561	C-CERA C	CK725B1H-102K1	1	332101025R1
U006	C7562	C-CERA C	CK725B1H-102K1	1	332101025R1
U006	C7580	MKT C	B32529C0102J289	1	376491024T
U006	C7581	MKT C	B32529C0102J289	1	376491024T
U006	C7582	MKT C	B32529C0102J289	1	376491024T
U006	C7583	MKT C	B32529C0102J289	1	376491024T
U006	C7590	C-CERA C	CK725B1H-103K1	1	332101035R1

U006	C7591	C-CERA C	CK725B1H-103K1	1	332101035R1	
U006	C7900	C-CERA C	CK725F1E-104Z1	1	332161040R1	
U006	C9304	VR C	CE04W63V-470M(VR)	1	394674717S	<B MDC, MDF, B MMA, MMB, MMP, MMQ, MMR / S MMP>
U006	C9305	VR C	CE04W63V-47M(VR)	1	394674707T	
U006	C9306	TF C	ECQ-V50V-223J	1	374722234T	
U006	<b>[RESISTOR]</b>					
U006	R7500	C-CARBON R	RN72K1J-221JE	1	435032214R1	
U006	R7501	C-CARBON R	RN72K1J-221JE	1	435032214R1	
U006	R7502	C-CARBON R	RN72K1J-273JE	1	435032734R1	
U006	R7503	C-CARBON R	RN72K1J-222JE	1	435032224R1	
U006	R7504	C-CARBON R	RN72K1J-222JE	1	435032224R1	
U006	R7505	C-CARBON R	RN72K1J-222JE	1	435032224R1	
U006	R7506	C-CARBON R	RN72K1J-222JE	1	435032224R1	
U006	R7507	C-CARBON R	RN72K1J-222JE	1	435032224R1	
U006	R7508	C-CARBON R	RN72K1J-222JE	1	435032224R1	
U006	R7509	C-CARBON R	RN72K1J-222JE	1	435032224R1	
U006	R7510	C-CARBON R	RN72K1J-222JE	1	435032224R1	
U006	R7520	C-CARBON R	RN72K1J-221JE	1	435032214R1	
U006	R7521	C-CARBON R	RN72K1J-331JE	1	435033314R1	
U006	R7522	C-CARBON R	RN72K1J-331JE	1	435033314R1	
U006	R7523	C-CARBON R	RN72K1J-750JE	1	435037504R1	
U006	R7526	C-CARBON R	RN72K1J-223JE	1	435032234R1	
U006	R7527	C-CARBON R	RN72K1J-223JE	1	435032234R1	
U006	R7528	C-CARBON R	RN72K1J-224JE	1	435032244R1	
U006	R7529	C-CARBON R	RN72K1J-224JE	1	435032244R1	
U006	R7530	C-CARBON R	RN72K1J-472JE	1	435034724R1	
U006	R7531	C-CARBON R	RN72K1J-101JE	1	435031014R1	
U006	R7532	C-CARBON R	RN72K1J-331JE	1	435033314R1	
U006	R7533	C-CARBON R	RN72K1J-182JE	1	435031824R1	
U006	R7534	C-CARBON R	RN72K1J-104JE	1	435031044R1	
U006	R7535	C-CARBON R	RN72K1J-102JE	1	435031024R1	
U006	R7536	C-CARBON R	RN72K1J-333JE	1	435033334R1	
U006	R7537	C-CARBON R	RN72K1J-333JE	1	435033334R1	
U006	R7538	C-CARBON R	RN72K1J-221JE	1	435032214R1	
U006	R7539	C-CARBON R	RN72K1J-221JE	1	435032214R1	
U006	R7540	C-CARBON R	RN72K1J-473JE	1	435034734R1	
U006	R7541	C-CARBON R	RN72K1J-180JE	1	435031804R1	
U006	R7560	C-CARBON R	RN72K1J-102JE	1	435031024R1	
U006	R7561	C-CARBON R	RN72K1J-101JE	1	435031014R1	

U006	R7562	C-CARBON R	RN72K1J-105JE	1	435031054R1
U006	R7580	METAL O R	RS1WBJ-33	1	443623304T
U006	R7581	METAL O R	RS1WBJ-33	1	443623304T
U006	R7590	C-CARBON R	RN72K1J-103JE	1	435031034R1
U006	R7591	C-CARBON R	RN72K1J-103JE	1	435031034R1
U006	R7592	C-CARBON R	RN72K1J-103JE	1	435031034R1
U006	R7593	C-CARBON R	RN72K1J-103JE	1	435031034R1
U006	R7594	C-CARBON R	RN72K1J-121JE	1	435031214R1
U006	R7595	C-CARBON R	RN72K1J-121JE	1	435031214R1
U006	R7596	C-CARBON R	RN72K1J-181JE	1	435031814R1
U006	R7597	C-CARBON R	RN72K1J-181JE	1	435031814R1
U006	R7599	C-CARBON R	RN72K1J-102JE	1	435031024R1
U006	R7600	C-CARBON R	RN72K1J-102JE	1	435031024R1
U006	R7601	C-CARBON R	RN72K1J-000JE	1	435030004R1
U006	R7611	C-CARBON R	RN72K1J-271JE	1	435032714R1
U006	R7612	C-CARBON R	RN72K1J-331JE	1	435033314R1
U006	R7613	C-CARBON R	RN72K1J-471JE	1	435034714R1
U006	R7614	C-CARBON R	RN72K1J-561JE	1	435035614R1
U006	R7615	C-CARBON R	RN72K1J-821JE	1	435038214R1
U006	R7616	C-CARBON R	RN72K1J-122JE	1	435031224R1
U006	R7617	C-CARBON R	RN72K1J-222JE	1	435032224R1
U006	R7618	C-CARBON R	RN72K1J-392JE	1	435033924R1
U006	R7619	C-CARBON R	RN72K1J-123JE	1	435031234R1
U006	R7621	C-CARBON R	RN72K1J-271JE	1	435032714R1
U006	R7622	C-CARBON R	RN72K1J-331JE	1	435033314R1
U006	R7623	C-CARBON R	RN72K1J-471JE	1	435034714R1
U006	R7624	C-CARBON R	RN72K1J-561JE	1	435035614R1
U006	R7625	C-CARBON R	RN72K1J-821JE	1	435038214R1
U006	R7626	C-CARBON R	RN72K1J-122JE	1	435031224R1
U006	R7627	C-CARBON R	RN72K1J-222JE	1	435032224R1
U006	R7628	C-CARBON R	RN72K1J-392JE	1	435033924R1
U006	R7629	C-CARBON R	RN72K1J-123JE	1	435031234R1
U006	R7631	C-CARBON R	RN72K1J-271JE	1	435032714R1
U006	R7632	C-CARBON R	RN72K1J-331JE	1	435033314R1
U006	R7633	C-CARBON R	RN72K1J-471JE	1	435034714R1
U006	R7634	C-CARBON R	RN72K1J-561JE	1	435035614R1
U006	R7635	C-CARBON R	RN72K1J-821JE	1	435038214R1
U006	R7636	C-CARBON R	RN72K1J-122JE	1	435031224R1
U006	R7637	C-CARBON R	RN72K1J-222JE	1	435032224R1

U006	R7638	C-CARBON R	RN72K1J-392JE	1	435033924R1	
U006	R7639	C-CARBON R	RN72K1J-123JE	1	435031234R1	
U006	R7641	C-CARBON R	RN72K1J-271JE	1	435032714R1	
U006	R7642	C-CARBON R	RN72K1J-331JE	1	435033314R1	
U006	R7643	C-CARBON R	RN72K1J-471JE	1	435034714R1	
U006	R7644	C-CARBON R	RN72K1J-561JE	1	435035614R1	
U006	R7645	C-CARBON R	RN72K1J-821JE	1	435038214R1	
U006	R7646	C-CARBON R	RN72K1J-122JE	1	435031224R1	
U006	R7647	C-CARBON R	RN72K1J-222JE	1	435032224R1	
U006	R7648	C-CARBON R	RN72K1J-392JE	1	435033924R1	
U006	R7649	C-CARBON R	RN72K1J-123JE	1	435031234R1	
U006	R7802	C-CARBON R	RN72K1J-103JE	1	435031034R1	
U006	R7939	C-CARBON R	RN72K1J-104JE	1	435031044R1	
U006	R7954	C-CARBON R	RN72K1J-104JE	1	435031044R1	
U006	R9304	METAL O R	RS1/2WBJ-10	1	443521004T	
U006	R9305	C-CARBON R	RN72K1J-562JE	1	435035624R1	
U006	R9307	C-CARBON R	RN72K1J-333JE	1	435033334R1	
U006	R9308	METAL R	RNU1/2WCJ-0.1	1	453531094T	<B MDC, MDF, B MMA, MMB, MMP, MMQ, MMR / S MMP>
U006	R9310	METAL O R	RS1/2WBJ-33	1	443523304T	<B MDC, MDF, B MMA, MMB, MMP, MMQ, MMR / S MMP>
U006	<b>[SW TRM]</b>					
U006	E7580	TRM	NTM-1P233(M1969)	1	25060302	
U006	JL4103B	SOCKET	NSCT-5P97	1	25050269	
U006	JL7560A	WIRE HOL	NSCT-3P874	1	25051087	
U006	JL7560B	WIRE HOL	NSCT-3P874	1	25051087	
U006	JL9303A	WIRE HOL	NSCT-5P876	1	25051089	
U006	JL9303B	WIRE TRAP	NPLG-5P588	1	25055626	
U006	P7501B	PLUG	A2545WR2-2x20P(IDE40SIDE)	1	25056643	
U006	P7522	PIN JACK	NPJ-3PDB693	1	25045925	<B MDC, MDF, B MMA, MMB, MMP, MMQ, MMR / S MMP>
U006	P7530	ST JACK	MSJ-035-05C B AG SR type	1	25045879	<B MDC, MDF, B MMA, MMB, MMP, MMQ, MMR / S MMP>
U006	P7580	ST JACK	MSJ-064-05A SR	1	25045783	<B MDC, MDF, B MMA, MMB, MMP, MMQ, MMR / S MMP>
U006	P7590A	SOCKET AS	NSAS-18P1798	1	200AA391810UL	
U006	P7591A	SOCKET AS	NSAS-7P1799	1	200AA391415UL	
U006	P9008B	PLUG	NPLG-2P631	1	25055675	<B MMA, MMB, MMP, MMQ, MMR / S MMP>
U006	P9301A	PLUG	NPLG-6P120	1	25055136	
U006	S7590	R ENCODE	EC12E2425WITH WASHER	1	25065655W	
U006	S7611	PUSH SW	NPS-111-S681	1	25035718T	
U006	S7612	PUSH SW	NPS-111-S681	1	25035718T	
U006	S7613	PUSH SW	NPS-111-S681	1	25035718T	
U006	S7614	PUSH SW	NPS-111-S681	1	25035718T	



U006	S7615	PUSH SW	NPS-111-S681	1	25035718T	<B MMA, MMB, MMP, MMQ, MMR / S MMP>
U006	S7616	PUSH SW	NPS-111-S681	1	25035718T	
U006	S7618	PUSH SW	NPS-111-S681	1	25035718T	
U006	S7619	PUSH SW	NPS-111-S681	1	25035718T	
U006	S7620	PUSH SW	NPS-111-S681	1	25035718T	
U006	S7621	PUSH SW	NPS-111-S681	1	25035718T	
U006	S7622	PUSH SW	NPS-111-S681	1	25035718T	
U006	S7623	PUSH SW	NPS-111-S681	1	25035718T	
U006	S7624	PUSH SW	NPS-111-S681	1	25035718T	
U006	S7625	PUSH SW	NPS-111-S681	1	25035718T	
U006	S7626	PUSH SW	NPS-111-S681	1	25035718T	
U006	S7627	PUSH SW	NPS-111-S681	1	25035718T	
U006	S7628	PUSH SW	NPS-111-S681	1	25035718T	
U006	S7629	PUSH SW	NPS-111-S681	1	25035718T	
U006	S7630	PUSH SW	NPS-111-S681	1	25035718T	
U006	S7632	PUSH SW	NPS-111-S681	1	25035718T	
U006	S7633	PUSH SW	NPS-111-S681	1	25035718T	
U006	S7634	PUSH SW	NPS-111-S681	1	25035718T	
U006	S7635	PUSH SW	NPS-111-S681	1	25035718T	
U006	S7636	PUSH SW	NPS-111-S681	1	25035718T	
U006	S7637	PUSH SW	NPS-111-S681	1	25035718T	
U006	S7638	PUSH SW	NPS-111-S681	1	25035718T	
U006	S7639	PUSH SW	NPS-111-S681	1	25035718T	
U006	S7640	PUSH SW	NPS-111-S681	1	25035718T	
U006	S7641	PUSH SW	NPS-111-S681	1	25035718T	
U006	S7642	PUSH SW	NPS-111-S681	1	25035718T	
U006	S7643	PUSH SW	NPS-111-S681	1	25035718T	
U006	S7644	PUSH SW	NPS-111-S681	1	25035718T	
U006	S7645	PUSH SW	NPS-111-S681	1	25035718T	
U006	S7646	PUSH SW	NPS-111-S681	1	25035718T	
U006	S7647	PUSH SW	NPS-111-S681	1	25035718T	
U006	S7648	PUSH SW	NPS-111-S681	1	25035718T	
U006	S7649	PUSH SW	NPS-111-S681	1	25035718T	
U006	S7650	PUSH SW	NPS-111-S681	1	25035718T	
U006	S9000	P SW	NPS-111-L687P(TV-5)	1	25035724	<B MMA, MMB, MMP, MMQ, MMR / S MMP>
U006	<b>[TUNER UNIT]</b>					
U006	U7520	PHT CP	JSR1321-001	1	24120138	
U006	U7560	REMO SENS	TSOP34338RF1F	1	24130017	

U007		HDMI PC BOARD		BAHDM-0471-1B/ 1C	
CIRCUIT NO	PART NAME	DESCRIPTION	Q'TY	PART NO. (SN)	REMARKS
<b>[SEMI CONDUCTOR]</b>					
U007	D3101	C-DIODE	1	223283R2	
U007	D3101 or	C-DIODE	(1)	223234R2	
U007	D3101 or	C-DIODE	(1)	223279R2	
U007	D3402	C-DIODE	1	22380284R2	
U007	D8161	ZENER D	1	224550360R2	
U007	D8204	DIODE	1	223285R2	
U007	D8205	DIODE	1	223285R2	
U007	D8301	DIODE	1	223285R2	
U007	D8302	C-DIODE	1	223283R2	
U007	D8302 or	C-DIODE	(1)	223234R2	
U007	D8302 or	C-DIODE	(1)	223279R2	
U007	D8351	DIODE	1	223285R2	
U007	D8352	C-DIODE	1	223283R2	
U007	D8352 or	C-DIODE	(1)	223234R2	
U007	D8352 or	C-DIODE	(1)	223279R2	
U007	D8701	C-DIODE	1	223283R2	
U007	D8701 or	C-DIODE	(1)	223234R2	
U007	D8701 or	C-DIODE	(1)	223279R2	
U007	D8851	C-DIODE	1	223283R2	<B MDC, MDF>,
U007	D8851 or	C-DIODE	(1)	223234R2	<B MDC, MDF>,
U007	D8851 or	C-DIODE	(1)	223279R2	<B MDC, MDF>,
U007	D8931	C-DIODE	1	223283R2	
U007	D8931 or	C-DIODE	(1)	223234R2	
U007	D8931 or	C-DIODE	(1)	223279R2	
U007	D8951	DIODE	1	22380365R2	
U007	D8961	DIODE	1	22380365R2	
U007	D8971	DIODE	1	22380365R2	
U007	D8981	DIODE	1	22380365R2	
U007	D8983	C-DIODE	1	223283R2	
U007	D8983 or	C-DIODE	(1)	223234R2	
U007	D8983 or	C-DIODE	(1)	223279R2	
U007	D8984	C-DIODE	1	223283R2	
U007	D8984 or	C-DIODE	(1)	223234R2	
U007	D8984 or	C-DIODE	(1)	223279R2	
U007	Q205	IC	1	22274157ER2TO	

U007	Q3001	IC	D830K013BZKB300Z	1	22242662R3	N
U007	Q3002	IC (DSP DA830)	NAND256W3A2BN6E(0359)	1	222W0092R303596	
U007	Q3003	IC	IS42S16160C-7TL	1	22242592R3	
U007	Q3003 or	IC	K4S561632J-UC75	(1)	22242524AR3	
U007	Q3004	IC	IS42S16160C-7TL	1	22242592R3	
U007	Q3004 or	IC	K4S561632J-UC75	(1)	22242524AR3	
U007	Q3005	IC	TC7W32FU	1	22241162R2	
U007	Q3006	IC	S-80127CNMC-JKM-T2	1	22241642R2	
U007	Q3101	IC	TPD2E001DRLR	1	22242589R2	
U007	Q3102	IC	BD2224G-TR	1	22242672R2	N
U007	Q3103	IC	XC6221B182MR	1	22242632R2	N
U007	Q3103 or	IC	BH18LB1WG-TR	(1)	22242562R2	
U007	Q3105	IC	MFB341S2164	1	22242594R2	
U007	Q3106	IC	XC6221B332MR	1	22242633R2	
U007	Q3106 or	IC	BH33FB1WG-TR	(1)	22242585R2	
U007	Q3107	IC	NJM2855DL1-33	1	22278033QR2JR	N
U007	Q3108	IC	KSZ8041NL	1	22242591R2	
U007	Q3109	IC	BD7820	1	22242300R2	
U007	Q3202	IC	TC74VHC157FT	1	22274157ER2TO	
U007	Q3204	IC	TC74VHC74FT (EKJ)	1	22274074E1R2TO	
U007	Q3204 or	IC	TC74VHC74FT	(1)	22274074ER2TO	
U007	Q3205	IC	TC7SZU04FU	1	22242512R2TO	
U007	Q3206	IC	NJM4580M-D	1	22241448R2	
U007	Q3207	IC	NJM4580M-D	1	22241448R2	
U007	Q3210	IC	TC7WH241FU(TE12L_F)	1	22242076R2TO	
U007	Q3401	IC (DSP2)	EN25Q32A-100HIP(0321)	1	222W0112R203217	N
U007	Q3403	IC	TC7WHU04FU(TE12L)	1	22242231R2	
U007	Q3404	IC	CS49834A-CQZ	1	22242639R3	
U007	Q3405	IC	TC74VHC125FT	1	22274125ER2TO	
U007	Q3406	IC	K4S641632N-LC60	1	22242603R2	
U007	Q3407	TR	DTC144EE	1	2216390R2	
U007	Q3407 or	TR	KRC404E	(1)	2216450R2	
U007	Q3408	IC	TC7MBL3245SFT	1	22242539R2TO	
U007	Q3409	IC	NJM2855DL1-33	1	22278033QR2JR	N
U007	Q3604	IC	PCM1754DBQR	1	22242598R2	
U007	Q8000	IC	TC74AC14FT	1	22242217R2	
U007	Q8051	IC	NT5TU32M16CG-25C	1	22242635R3	
U007	Q8052	IC	NT5TU32M16CG-25C	1	22242635R3	
U007	Q8161	IC	SI9389CTU	1	22242628R3	

U007	Q8162	TR	RN2401(TE85L_F)	1	2214520R2	
U007	Q8191	IC	SN74CB3Q3305PWR	1	22242258R2	
U007	Q8200	IC	FLI32626H-AE	1	22242634R3	
U007	Q8201	IC	BR24S32FJ-WE2	1	22242569R2	
U007	Q8201 or	IC	24LC32A-I/SN	(1)	22242521R2	
U007	Q8201 or	IC	M24C32-WMN6TP	(1)	22242644R2	
U007	Q8206	IC (VSP)	AT25DF641-S3H-T(0383)	1	222W0110R203830	
U007	Q8207	IC	TC74LCX125FT(EL_K)	1	22274125BR2TO	
U007	Q8305	IC	S-812C50BUC-C5ET2G	1	22242407R2	
U007	Q8306	IC	NC7SZ08P5X_F042	1	22242482R2	
U007	Q8306 or	IC	TC7SZ08FU(TE85L_F)	(1)	22242071R2TO	
U007	Q8355	IC	S-812C50BUC-C5ET2G	1	22242407R2	
U007	Q8356	IC	NC7SZ08P5X_F042	1	22242482R2	
U007	Q8356 or	IC	TC7SZ08FU(TE85L_F)	(1)	22242071R2TO	
U007	Q8401	IC	SII9136CTU	1	22242630R3	
U007	Q8402	IC	TC7WHU04FU(TE12L)	1	22242231R2	
U007	Q8451	IC	SII9136CTU	1	22242630R3	
U007	Q8501	IC	SII9233ACTU	1	22242582R3	
U007	Q8610	IC	S-24CS02AFT-V-G	1	22242360R2	
U007	Q8610 or	IC	BR24L02FV-W	(1)	22242069R2	
U007	Q8701	IC (HDMI/VIDEO)	MPD70F3740GC-UEC-AX(0379)	1	222W0096R303795	
U007	Q8702	TR ARRAY	UM6K1N	1	226066R2	
U007	Q8801	IC	TC74VCX162827	1	22242395R2	
U007	Q8802	IC	TC74VCX162827	1	22242395R2	
U007	Q8803	IC	TC74VCX162827	1	22242395R2	
U007	Q8804	IC	TC74VCX162827	1	22242395R2	
U007	Q8805	TR	KRC104S	1	2216210R2	
U007	Q8805 or	TR	RN1404	(1)	2214490R2	
U007	Q8851	IC	ADV7342BSTZ-3	1	22242608R3	<B MDC, MDF>
U007	Q8852	IC	XC6221B182MR	1	22242632R2	<B MDC, MDF>
U007	Q8852 or	IC	BH18LB1WG-TR	(1)	22242562R2	<B MDC, MDF>
U007	Q8853	TR	KRC104S	1	2216210R2	<B MDC, MDF>
U007	Q8853 or	TR	RN1404	(1)	2214490R2	<B MDC, MDF>
U007	Q8877	IC	MK2302S-01LFTR	1	22242552R2	<B MDC, MDF>
U007	Q8931	IC	XC6202P502FR	1	22242331R2	
U007	Q8932	IC	XC6221B332MR	1	22242633R2	
U007	Q8932 or	IC	BH33FB1WG-TR	(1)	22242585R2	
U007	Q8933	IC	XC6221B122MR	1	22242631R2	
U007	Q8934	TR	KRC104S	1	2216210R2	

U007	Q8934 or	TR	RN1404	(1)	2214490R2
U007	Q8935	TR	2SC2712-GR	1	2213145R2
U007	Q8936	TR	KRC104S	1	2216210R2
U007	Q8936 or	TR	RN1404	(1)	2214490R2
U007	Q8941	IC	CM3202-02DE	1	22242641R2
U007	Q8951	TR	KRC104S	1	2216210R2
U007	Q8951 or	TR	RN1404	(1)	2214490R2
U007	Q8952	IC	MP2363DN-LF-Z	1	22242627R2
U007	Q8961	TR	KRC104S	1	2216210R2
U007	Q8961 or	TR	RN1404	(1)	2214490R2
U007	Q8962	IC	MP2363DN-LF-Z	1	22242627R2
U007	Q8963	TR	2SC2712-GR	1	2213145R2
U007	Q8971	TR	KRC104S	1	2216210R2
U007	Q8971 or	TR	RN1404	(1)	2214490R2
U007	Q8972	IC	MP2363DN-LF-Z	1	22242627R2
U007	Q8981	TR	KRC104S	1	2216210R2
U007	Q8981 or	TR	RN1404	(1)	2214490R2
U007	Q8982	IC	MP2363DN-LF-Z	1	22242627R2
U007	Q8983	TR	KRC104S	1	2216210R2
U007	Q8983 or	TR	RN1404	(1)	2214490R2
U007	Q8984	TR	KRC104S	1	2216210R2
U007	Q8984 or	TR	RN1404	(1)	2214490R2
U007	<b>[TRANS COIL]</b>				
U007	L251	CORE	BLM18PG181SN1D	1	2350005R1
U007	L261	EMIFIL	BK1608LM182-T	1	230958R1
U007	L3001	CORE	BLM18PG121SN1D	1	2350006R1
U007	L3002	CORE	BLM18PG121SN1D	1	2350006R1
U007	L3003	CORE	BLM18PG121SN1D	1	2350006R1
U007	L3004	CORE	BLM18PG121SN1D	1	2350006R1
U007	L3005	CORE	BLM18PG121SN1D	1	2350006R1
U007	L3102	CORE	BLM18PG181SN1D	1	2350005R1
U007	L3103	CORE	BLM18PG121SN1D	1	2350006R1
U007	L3104	CORE	BLM18PG121SN1D	1	2350006R1
U007	L3105	CORE	BLM18PG121SN1D	1	2350006R1
U007	L3106	CORE	BLM18PG121SN1D	1	2350006R1
U007	L3107	CORE	BLM18PG121SN1D	1	2350006R1
U007	L3108	CORE	BLM18PG121SN1D	1	2350006R1
U007	L3109	CORE	BLM18PG121SN1D	1	2350006R1
U007	L3110	CORE	BLM18PG121SN1D	1	2350006R1

U007	L3145	CORE	DLP2ADN900HL4L	1	230990R2
U007	L3202	CORE	MMZ1608Y601BT	1	2350004R1
U007	L3203	CORE	MMZ1608Y601BT	1	2350004R1
U007	L3205	CORE	BLM18PG121SN1D	1	2350006R1
U007	L3206	CORE	BLM18PG121SN1D	1	2350006R1
U007	L3207	CORE	MMZ1608Y601BT	1	2350004R1
U007	L3208	CORE	MMZ1608Y601BT	1	2350004R1
U007	L3209	CORE	MMZ1608Y601BT	1	2350004R1
U007	L3401	CORE	BLM18PG121SN1D	1	2350006R1
U007	L3402	CORE	MMZ1608Y601BT	1	2350004R1
U007	L3403	CORE	MMZ1608Y601BT	1	2350004R1
U007	L3404	CORE	MMZ1608Y601BT	1	2350004R1
U007	L3405	CORE	BLM18PG121SN1D	1	2350006R1
U007	L3406	CORE	BLM18PG121SN1D	1	2350006R1
U007	L3407	CORE	BLM18PG121SN1D	1	2350006R1
U007	L3408	CORE	BLM18PG121SN1D	1	2350006R1
U007	L3509	CHOKE COIL	LBC2518T470M	1	231364M470R2
U007	L8001	CORE	BLM18PG181SN1D	1	2350005R1
U007	L8002	CORE	BLM18PG181SN1D	1	2350005R1
U007	L8004	CORE	BLM18PG181SN1D	1	2350005R1
U007	L8006	CORE	BLM18PG181SN1D	1	2350005R1
U007	L8007	CORE	BLM18PG181SN1D	1	2350005R1
U007	L8161	CORE	BLM18PG181SN1D	1	2350005R1
U007	L8162	CORE	BLM18PG181SN1D	1	2350005R1
U007	L8163	CORE	BLM18PG181SN1D	1	2350005R1
U007	L8164	CORE	BLM18PG181SN1D	1	2350005R1
U007	L8166	CORE	BLM18PG181SN1D	1	2350005R1
U007	L8200	CORE	BLM18PG181SN1D	1	2350005R1
U007	L8201	CORE	BLM18PG181SN1D	1	2350005R1
U007	L8202	CORE	BLM18PG181SN1D	1	2350005R1
U007	L8203	CORE	BLM18PG181SN1D	1	2350005R1
U007	L8204	CORE	BLM18PG181SN1D	1	2350005R1
U007	L8205	CORE	BLM18PG181SN1D	1	2350005R1
U007	L8206	CORE	BLM18PG181SN1D	1	2350005R1
U007	L8207	CORE	BLM18PG121SN1D	1	2350006R1
U007	L8208	CORE	BLM18PG181SN1D	1	2350005R1
U007	L8209	CORE	BLM18PG181SN1D	1	2350005R1
U007	L8210	CORE	BLM18PG181SN1D	1	2350005R1
U007	L8211	CORE	BLM18PG181SN1D	1	2350005R1

U007	L8212	CORE	BLM18PG181SN1D	1	2350005R1	
U007	L8213	CORE	BLM18PG181SN1D	1	2350005R1	
U007	L8214	CORE	BLM18PG181SN1D	1	2350005R1	
U007	L8215	C-CARBON R	RN72K1J-000JE	1	435030004R1	
U007	L8216	CORE	BLM18PG181SN1D	1	2350005R1	
U007	L8217	CORE	BLM18PG181SN1D	1	2350005R1	
U007	L8218	CORE	BLM18PG181SN1D	1	2350005R1	
U007	L8301	CORE	BLM18PG181SN1D	1	2350005R1	
U007	L8351	CORE	BLM18PG181SN1D	1	2350005R1	
U007	L8401	CORE	BLM18PG181SN1D	1	2350005R1	
U007	L8402	CORE	BLM18PG181SN1D	1	2350005R1	
U007	L8403	CORE	BLM18PG181SN1D	1	2350005R1	
U007	L8404	CORE	BLM18PG181SN1D	1	2350005R1	
U007	L8406	C-R NET	MNR12E0APJ000	1	43464900002R2	
U007	L8407	C-R NET	MNR12E0APJ000	1	43464900002R2	
U007	L8409	C-R NET	MNR12E0APJ000	1	43464900002R2	
U007	L8410	C-R NET	MNR12E0APJ000	1	43464900002R2	
U007	L8452	CORE	BLM18PG181SN1D	1	2350005R1	
U007	L8453	CORE	BLM18PG181SN1D	1	2350005R1	
U007	L8454	CORE	BLM18PG181SN1D	1	2350005R1	
U007	L8456	C-R NET	MNR12E0APJ000	1	43464900002R2	
U007	L8457	C-R NET	MNR12E0APJ000	1	43464900002R2	
U007	L8459	C-R NET	MNR12E0APJ000	1	43464900002R2	
U007	L8460	C-R NET	MNR12E0APJ000	1	43464900002R2	
U007	L8501	CORE	BLM18PG181SN1D	1	2350005R1	
U007	L8502	CORE	BLM18PG181SN1D	1	2350005R1	
U007	L8503	CORE	BLM18PG181SN1D	1	2350005R1	
U007	L8504	CORE	BLM18PG181SN1D	1	2350005R1	
U007	L8505	CORE	BLM18PG181SN1D	1	2350005R1	
U007	L8506	CORE	BLM18PG181SN1D	1	2350005R1	
U007	L8561	CORE	BLM18PG181SN1D	1	2350005R1	
U007	L8608	CORE	MMZ1608Y601BT	1	2350004R1	
U007	L8641	CORE	BLM18PG181SN1D	1	2350005R1	
U007	L8701	CORE	BLM18PG181SN1D	1	2350005R1	
U007	L8801	CORE	BLM18PG181SN1D	1	2350005R1	
U007	L8851	CHOKE COIL	LBC2518T4R7M	1	231364M047R2	<B MDC, MDF>
U007	L8852	CHOKE COIL	LBC2518T4R7M	1	231364M047R2	<B MDC, MDF>
U007	L8853	CHOKE COIL	LBC2518T4R7M	1	231364M047R2	<B MDC, MDF>
U007	L8854	CHOKE COIL	LBC2518T4R7M	1	231364M047R2	<B MDC, MDF>

U007	L8930	CORE	BLM18PG181SN1D	1	2350005R1	
U007	L8931	CORE	BLM18PG181SN1D	1	2350005R1	
U007	L8941	CHOKE COIL	BLM21PG221SN1	1	230949R2	
U007	L8951	CHOKE COIL	BLM21PG221SN1	1	230949R2	
U007	L8952	CHOKE COIL	0182-7E08Q-100M-RA	1	231396M100R2	
U007	L8953	CHOKE COIL	BLM21PG221SN1	1	230949R2	
U007	L8954	CHOKE COIL	BLM21PG221SN1	1	230949R2	
U007	L8955	CHOKE COIL	BLM21PG221SN1	1	230949R2	
U007	L8956	CHOKE COIL	BLM21PG221SN1	1	230949R2	
U007	L8961	CHOKE COIL	BLM21PG221SN1	1	230949R2	
U007	L8962	CHOKE COIL	0182-7E08Q-100M-RA	1	231396M100R2	
U007	L8963	CHOKE COIL	BLM21PG221SN1	1	230949R2	
U007	L8964	CHOKE COIL	BLM21PG221SN1	1	230949R2	
U007	L8965	CHOKE COIL	BLM21PG221SN1	1	230949R2	
U007	L8971	CHOKE COIL	BLM21PG221SN1	1	230949R2	
U007	L8972	CHOKE COIL	0182-7E08Q-100M-RA	1	231396M100R2	
U007	L8973	CHOKE COIL	BLM21PG221SN1	1	230949R2	
U007	L8974	CHOKE COIL	BLM21PG221SN1	1	230949R2	
U007	L8975	CHOKE COIL	BLM21PG221SN1	1	230949R2	
U007	L8981	CHOKE COIL	BLM21PG221SN1	1	230949R2	
U007	L8982	CHOKE COIL	0182-7E08Q-100M-RA	1	231396M100R2	
U007	L8983	CHOKE COIL	BLM21PG221SN1	1	230949R2	
U007	L8984	CHOKE COIL	BLM21PG221SN1	1	230949R2	
U007	L8985	CHOKE COIL	BLM21PG221SN1	1	230949R2	
U007	X3001	CRYSTAL	HC-49SMD24.000MHz	1	3010479R2	
U007	X3202	CRYSTAL	HC-49SMD11.2896MHz	1	3010480R2	
U007	X3401	CRYSTAL	HC-49SMD24.576MHz+/-50ppm	1	3010494R2	N
U007	X8200	CRYSTAL	HC-49USSMD19.6608MHz	1	3010489R2	
U007	X8501	CRYSTAL	DSX321G-27MHz	1	3010487R2	
U007	X8701	CERA LOCK	CSTCR5M00G53-B0	1	3010356R2	
U007	<b>[CAPACITOR]</b>					
U007	C251	C-CERA C	CK725F1E-104Z1	1	332161040R1	
U007	C252	C-CERA C	CK725B1H-102K1	1	332101025R1	
U007	C253	C-CERA C	CK725B0J-106K	1	332091065R2	
U007	C3001	C-CERA C	CK725F1A-105Z1	1	332181050R1	
U007	C3002	C-CERA C	CK725F1A-105Z1	1	332181050R1	
U007	C3003	C-CERA C	CK725B0J-106K	1	332091065R2	
U007	C3004	C-CERA C	CK725B0J-106K	1	332091065R2	
U007	C3005	C-CERA C	CK725F1A-105Z1	1	332181050R1	



U007	C3006	C-CERA C	CC725CH1H-102J1	1	342101024R1
U007	C3007	C-CERA C	CK725F1A-105Z1	1	332181050R1
U007	C3008	C-CERA C	CC725CH1H-102J1	1	342101024R1
U007	C3009	C-CERA C	CK725F1A-105Z1	1	332181050R1
U007	C3010	C-CERA C	CK725F1A-105Z1	1	332181050R1
U007	C3011	C-CERA C	CK725F1A-105Z1	1	332181050R1
U007	C3012	C-CERA C	CC725CH1H-102J1	1	342101024R1
U007	C3013	C-CERA C	CK725F1A-105Z1	1	332181050R1
U007	C3014	C-CERA C	CC725CH1H-102J1	1	342101024R1
U007	C3015	C-CERA C	CC725CH1H-102J1	1	342101024R1
U007	C3016	C-CERA C	CK725F1A-105Z1	1	332181050R1
U007	C3017	C-CERA C	CK725F1A-105Z1	1	332181050R1
U007	C3018	C-CERA C	CK725F1A-105Z1	1	332181050R1
U007	C3019	C-CERA C	CC725CH1H-102J1	1	342101024R1
U007	C3020	C-CERA C	CK725F1A-105Z1	1	332181050R1
U007	C3021	C-CERA C	CK725F1A-105Z1	1	332181050R1
U007	C3022	C-CERA C	CK725F1A-105Z1	1	332181050R1
U007	C3023	C-CERA C	CK725B0J-106K	1	332091065R2
U007	C3024	C-CERA C	CC725CH1H-102J1	1	342101024R1
U007	C3025	C-CERA C	CK725F1A-105Z1	1	332181050R1
U007	C3026	C-CERA C	CK725B1C-104K1	1	332121045R1
U007	C3027	C-CERA C	CC725CH1H-102J1	1	342101024R1
U007	C3028	C-CERA C	CK725F1A-105Z1	1	332181050R1
U007	C3029	C-CERA C	CC725CH1H-102J1	1	342101024R1
U007	C3030	C-CERA C	CK725F1A-105Z1	1	332181050R1
U007	C3031	C-CERA C	CK725F1A-105Z1	1	332181050R1
U007	C3032	C-CERA C	CC725CH1H-102J1	1	342101024R1
U007	C3033	C-CERA C	CK725F1A-105Z1	1	332181050R1
U007	C3034	C-CERA C	CC725CH1H-120J1	1	342101204R1
U007	C3035	C-CERA C	CC725CH1H-102J1	1	342101024R1
U007	C3036	C-CERA C	CC725CH1H-120J1	1	342101204R1
U007	C3037	C-CERA C	CK725F1A-105Z1	1	332181050R1
U007	C3038	C-CERA C	CK725F1A-105Z1	1	332181050R1
U007	C3039	C-CERA C	CK725B1H-103K1	1	332101035R1
U007	C3040	C-CERA C	CK725F1A-105Z1	1	332181050R1
U007	C3041	C-CERA C	CK725B0J-106K	1	332091065R2
U007	C3042	C-CERA C	CK725F1A-105Z1	1	332181050R1
U007	C3043	C-CERA C	CK725F1A-105Z1	1	332181050R1
U007	C3101	CHIP ELECT C	CEWX16V-100M	1	398141017R2

U007	C3102	CHIP ELECT C	CEWX10V-220M	1	398132217R2
U007	C3104	C-CERA C	CK725F1A-105Z1	1	332181050R1
U007	C3105	C-CERA C	CK725F1A-105Z1	1	332181050R1
U007	C3106	C-CERA C	CK725B0J-106K	1	332091065R2
U007	C3107	C-CERA C	CK725F1A-105Z1	1	332181050R1
U007	C3108	C-CERA C	CK725F1A-105Z1	1	332181050R1
U007	C3109	C-CERA C	CK725B0J-106K	1	332091065R2
U007	C3110	C-CERA C	CK725B1A-224K1	1	332132245R1
U007	C3112	C-CERA C	CK725B0J-106K	1	332091065R2
U007	C3113	C-CERA C	CK725F1A-105Z1	1	332181050R1
U007	C3114	C-CERA C	CK725F1A-105Z1	1	332181050R1
U007	C3115	C-CERA C	CK725B0J-106K	1	332091065R2
U007	C3116	C-CERA C	CK725B0J-106K	1	332091065R2
U007	C3117	C-CERA C	CC725CH1H-102J1	1	342101024R1
U007	C3118	C-CERA C	CK725F1A-105Z1	1	332181050R1
U007	C3119	C-CERA C	CK725F1A-105Z1	1	332181050R1
U007	C3120	C-CERA C	CK725B0J-106K	1	332091065R2
U007	C3121	C-CERA C	CK725F1A-105Z1	1	332181050R1
U007	C3122	C-CERA C	CK725F1A-105Z1	1	332181050R1
U007	C3123	CHIP ELECT C	CEWX10V-220M	1	398132217R2
U007	C3124	C-CERA C	CK725F1A-105Z1	1	332181050R1
U007	C3125	C-CERA C	CK725B0J-106K	1	332091065R2
U007	C3126	C-CERA C	CK725B0J-106K	1	332091065R2
U007	C3127	C-CERA C	CK725F1A-105Z1	1	332181050R1
U007	C3128	C-CERA C	CK725F1A-105Z1	1	332181050R1
U007	C3129	C-CERA C	CK725F1A-105Z1	1	332181050R1
U007	C3130	C-CERA C	CK725B0J-106K	1	332091065R2
U007	C3131	C-CERA C	CK725F1A-105Z1	1	332181050R1
U007	C3132	C-CERA C	CC725CH1H-101J1	1	342101014R1
U007	C3133	C-CERA C	CK725F1A-105Z1	1	332181050R1
U007	C3134	C-CERA C	CK725B1C-104K1	1	332121045R1
U007	C3135	C-CERA C	CK725B1C-104K1	1	332121045R1
U007	C3136	C-CERA C	CK725F1A-105Z1	1	332181050R1
U007	C3137	C-CERA C	CK725F1A-105Z1	1	332181050R1
U007	C3138	C-CERA C	CK725F1A-105Z1	1	332181050R1
U007	C3139	C-CERA C	CK725F1A-105Z1	1	332181050R1
U007	C3140	C-CERA C	CK725F1A-105Z1	1	332181050R1
U007	C3143	C-CERA C	CK725F1A-105Z1	1	332181050R1
U007	C3144	C-CERA C	CK725F1A-105Z1	1	332181050R1

U007	C3145	C-CERA C	CK725B0J-106K	1	332091065R2
U007	C3146	C-CERA C	CK725F1A-105Z1	1	332181050R1
U007	C3147	C-CERA C	CK725B0J-106K	1	332091065R2
U007	C3148	C-CERA C	CK725B1H-223K1	1	332102235R1
U007	C3149	C-CERA C	CK725F1A-105Z1	1	332181050R1
U007	C3150	CHIP ELECT C	CEWX4V-22M	1	3981G2207R2
U007	C3151	C-CERA C	CK725B1H-103K1	1	332101035R1
U007	C3152	C-CERA C	CK725B0J-106K	1	332091065R2
U007	C3153	C-CERA C	CK725F1A-105Z1	1	332181050R1
U007	C3154	C-CERA C	CK725B0J-106K	1	332091065R2
U007	C3155	C-CERA C	CK725F1A-105Z1	1	332181050R1
U007	C3156	C-CERA C	CC725CH1H-102J1	1	342101024R1
U007	C3157	C-CERA C	CK725F1A-105Z1	1	332181050R1
U007	C3158	C-CERA C	CK725F1A-105Z1	1	332181050R1
U007	C3159	C-CERA C	CK725F1A-105Z1	1	332181050R1
U007	C3202	C-CERA C	CK725F1A-105Z1	1	332181050R1
U007	C3204	C-CERA C	CK725B0J-106K	1	332091065R2
U007	C3205	C-CERA C	CK725F1A-105Z1	1	332181050R1
U007	C3206	C-CERA C	CK725F1A-105Z1	1	332181050R1
U007	C3207	C-CERA C	CK725B0J-106K	1	332091065R2
U007	C3208	C-CERA C	CK725F1A-105Z1	1	332181050R1
U007	C3209	C-CERA C	CK725F1A-105Z1	1	332181050R1
U007	C3210	CHIP ELECT C	CEWX16V-100M	1	398141017R2
U007	C3211	C-CERA C	CC725CH1H-221J1	1	342102214R1
U007	C3213	C-CERA C	CK725F1A-105Z1	1	332181050R1
U007	C3214	C-CERA C	CK725B0J-106K	1	332091065R2
U007	C3215	CHIP ELECT C	CEWX16V-10M	1	398141007R2
U007	C3220	C-CERA C	CC725CH1H-120J1	1	342101204R1
U007	C3223	C-CERA C	CC725CH1H-120J1	1	342101204R1
U007	C3224	C-CERA C	CC725CH1H-152J1	1	342101524R1
U007	C3225	C-CERA C	CC725CH1H-152J1	1	342101524R1
U007	C3226	C-CERA C	CK725F1A-105Z1	1	332181050R1
U007	C3227	CHIP ELECT C	CEWX16V-10M	1	398141007R2
U007	C3228	C-CERA C	CC725CH1H-221J1	1	342102214R1
U007	C3229	C-CERA C	CK725F1A-105Z1	1	332181050R1
U007	C3230	C-CERA C	CK725B0J-106K	1	332091065R2
U007	C3231	C-CERA C	CK725F1A-105Z1	1	332181050R1
U007	C3233	CHIP ELECT C	CEWX16V-100M	1	398141017R2
U007	C3234	C-CERA C	CK725B0J-106K	1	332091065R2

U007	C3401	C-CERA C	CC725CH1H-102J1	1	342101024R1
U007	C3402	C-CERA C	CK725F1E-104Z1	1	332161040R1
U007	C3403	C-CERA C	CK725F1E-104Z1	1	332161040R1
U007	C3404	C-CERA C	CK725F1E-104Z1	1	332161040R1
U007	C3405	C-CERA C	CK725F1E-104Z1	1	332161040R1
U007	C3406	C-CERA C	CK725F1A-105Z1	1	332181050R1
U007	C3407	C-CERA C	CK725F1A-105Z1	1	332181050R1
U007	C3408	C-CERA C	CK725B0J-106K	1	332091065R2
U007	C3409	C-CERA C	CK725F1A-105Z1	1	332181050R1
U007	C3410	C-CERA C	CK725F1E-104Z1	1	332161040R1
U007	C3411	C-CERA C	CK725F1E-104Z1	1	332161040R1
U007	C3412	C-CERA C	CK725F1E-104Z1	1	332161040R1
U007	C3413	C-CERA C	CC725CH1H-180J1	1	342101804R1
U007	C3414	C-CERA C	CC725CH1H-180J1	1	342101804R1
U007	C3415	C-CERA C	CK725F1E-104Z1	1	332161040R1
U007	C3416	C-CERA C	CK725F1E-104Z1	1	332161040R1
U007	C3418	C-CERA C	CK725F1E-104Z1	1	332161040R1
U007	C3419	C-CERA C	CK725F1E-104Z1	1	332161040R1
U007	C3420	C-CERA C	CK725F1E-104Z1	1	332161040R1
U007	C3422	C-CERA C	CK725F1E-104Z1	1	332161040R1
U007	C3423	C-CERA C	CK725F1E-104Z1	1	332161040R1
U007	C3425	C-CERA C	CK725F1E-104Z1	1	332161040R1
U007	C3426	C-CERA C	CC725CH1H-102J1	1	342101024R1
U007	C3427	C-CERA C	CK725F1E-104Z1	1	332161040R1
U007	C3428	C-CERA C	CC725CH1H-102J1	1	342101024R1
U007	C3429	C-CERA C	CK725F1E-104Z1	1	332161040R1
U007	C3430	C-CERA C	CK725F1A-105Z1	1	332181050R1
U007	C3431	C-CERA C	CC725CH1H-102J1	1	342101024R1
U007	C3432	C-CERA C	CC725CH1H-102J1	1	342101024R1
U007	C3433	C-CERA C	CK725F1A-105Z1	1	332181050R1
U007	C3434	C-CERA C	CK725B0J-106K	1	332091065R2
U007	C3435	C-CERA C	CK725B0J-106K	1	332091065R2
U007	C3436	C-CERA C	CK725B0J-106K	1	332091065R2
U007	C3437	C-CERA C	CK725F1E-104Z1	1	332161040R1
U007	C3438	C-CERA C	CK725F1E-104Z1	1	332161040R1
U007	C3439	C-CERA C	CK725F1E-104Z1	1	332161040R1
U007	C3440	C-CERA C	CK725F1E-104Z1	1	332161040R1
U007	C3441	C-CERA C	CK725F1A-105Z1	1	332181050R1
U007	C3442	C-CERA C	CK725B0J-106K	1	332091065R2

U007	C3443	C-CERA C	CK725F1A-105Z1	1	332181050R1	
U007	C3444	C-CERA C	CK725F1A-105Z1	1	332181050R1	
U007	C3445	C-CERA C	CK725F1A-105Z1	1	332181050R1	
U007	C3446	C-CERA C	CK725F1A-105Z1	1	332181050R1	
U007	C3447	C-CERA C	CK725F1A-105Z1	1	332181050R1	
U007	C3448	CHIP ELECT C	CEWX6.3V-22M	1	398122207R2	
U007	C3449	CHIP ELECT C	CEWX4V-220M	1	3981G2217R2	
U007	C3457	C-CERA C	CK725F1A-105Z1	1	332181050R1	
U007	C3458	C-CERA C	CK725F1A-105Z1	1	332181050R1	
U007	C3459	C-CERA C	CK725F1A-105Z1	1	332181050R1	
U007	C3460	C-CERA C	CK725F1E-104Z1	1	332161040R1	
U007	C3461	C-CERA C	CK725F1E-104Z1	1	332161040R1	
U007	C3462	C-CERA C	CK725B0J-106K	1	332091065R2	
U007	C3466	C-CERA C	CK725F1E-104Z1	1	332161040R1	
U007	C3603	C-CERA C	CK725B1H-102K1	1	332101025R1	
U007	C8001	C-CERA C	CK725B1C-104K1	1	332121045R1	
U007	C8004	C-CERA C	CK725B1C-104K1	1	332121045R1	
U007	C8005	C-CERA C	CK725B1C-104K1	1	332121045R1	
U007	C8007	C-CERA C	CK725B1C-104K1	1	332121045R1	
U007	C8008	C-CERA C	CK725B1C-104K1	1	332121045R1	
U007	C8010	C-CERA C	CK725B1C-104K1	1	332121045R1	
U007	C8011	C-CERA C	CK725B1C-104K1	1	332121045R1	
U007	C8015	C-CERA C	CK725B1C-104K1	1	332121045R1	
U007	C8016	C-CERA C	CK725B1C-104K1	1	332121045R1	
U007	C8017	C-CERA C	CK725B1C-104K1	1	332121045R1	
U007	C8020	C-CERA C	CK725B1C-104K1	1	332121045R1	
U007	C8021	C-CERA C	CK725B1C-104K1	1	332121045R1	
U007	C8022	C-CERA C	CK725B1C-104K1	1	332121045R1	
U007	C8023	C-CERA C	CK725B1C-104K1	1	332121045R1	
U007	C8024	C-CERA C	CK725B1C-104K1	1	332121045R1	
U007	C8025	C-CERA C	CK725B1C-104K1	1	332121045R1	
U007	C8026	C-CERA C	CK725B1C-104K1	1	332121045R1	
U007	C8027	C-CERA C	CK725B1C-104K1	1	332121045R1	
U007	C8028	C-CERA C	CK725B1C-104K1	1	332121045R1	
U007	C8029	C-CERA C	CK725F1E-104Z1	1	332161040R1	
U007	C8030	C-CERA C	CK725B0J-106K	1	332091065R2	
U007	C8031	C-CERA C	CK725B0J-106K	1	332091065R2	
U007	C8032	CHIP TANTAL	TEESVA0J226M8R	1	398422207R2	N
U007	C8032 or	CHIP TANTAL	F93-6.3V-22M	(1)	395522207R2	

U007	C8032 or	CHIP TANTAL	TCSCS0J226MAAR	(1)	396522207R2	
U007	C8033	C-CERA C	CK725F1E-104Z1	1	332161040R1	
U007	C8034	C-CERA C	CK725B1H-102K1	1	332101025R1	
U007	C8035	C-CERA C	CK725F1E-104Z1	1	332161040R1	
U007	C8036	C-CERA C	CK725B0J-106K	1	332091065R2	
U007	C8037	C-CERA C	CK725B0J-106K	1	332091065R2	
U007	C8038	CHIP TANTAL	TEESVA0J226M8R	1	398422207R2	N
U007	C8038 or	CHIP TANTAL	F93-6.3V-22M	(1)	395522207R2	
U007	C8038 or	CHIP TANTAL	TCSCS0J226MAAR	(1)	396522207R2	
U007	C8039	C-CERA C	CK725F1E-104Z1	1	332161040R1	
U007	C8051	CHIP TANTAL	TEESVA0J226M8R	1	398422207R2	N
U007	C8051 or	CHIP TANTAL	F93-6.3V-22M	(1)	395522207R2	
U007	C8051 or	CHIP TANTAL	TCSCS0J226MAAR	(1)	396522207R2	
U007	C8052	C-CERA C	CK725F1A-105Z1	1	332181050R1	
U007	C8053	C-CERA C	CK725F1E-104Z1	1	332161040R1	
U007	C8054	C-CERA C	CK725B1H-102K1	1	332101025R1	
U007	C8055	C-CERA C	CK725B0J-106K	1	332091065R2	
U007	C8056	C-CERA C	CK725F1E-104Z1	1	332161040R1	
U007	C8057	C-CERA C	CK725B1H-102K1	1	332101025R1	
U007	C8058	C-CERA C	CK725B1H-103K1	1	332101035R1	
U007	C8059	C-CERA C	CK725B1H-102K1	1	332101025R1	
U007	C8060	C-CERA C	CK725B1H-103K1	1	332101035R1	
U007	C8061	C-CERA C	CK725B1H-102K1	1	332101025R1	
U007	C8062	C-CERA C	CK725B1H-103K1	1	332101035R1	
U007	C8063	C-CERA C	CK725B1H-102K1	1	332101025R1	
U007	C8064	C-CERA C	CK725B1H-103K1	1	332101035R1	
U007	C8065	C-CERA C	CK725B0J-106K	1	332091065R2	
U007	C8066	C-CERA C	CK725B1H-102K1	1	332101025R1	
U007	C8067	C-CERA C	CK725B1H-103K1	1	332101035R1	
U007	C8068	C-CERA C	CK725B1H-102K1	1	332101025R1	
U007	C8069	C-CERA C	CK725B1H-103K1	1	332101035R1	
U007	C8070	C-CERA C	CK725B1H-102K1	1	332101025R1	
U007	C8071	C-CERA C	CK725B1H-103K1	1	332101035R1	
U007	C8072	C-CERA C	CK725B1H-102K1	1	332101025R1	
U007	C8073	C-CERA C	CK725B1H-103K1	1	332101035R1	
U007	C8074	CHIP TANTAL	TEESVA0J226M8R	1	398422207R2	N
U007	C8074 or	CHIP TANTAL	F93-6.3V-22M	(1)	395522207R2	
U007	C8074 or	CHIP TANTAL	TCSCS0J226MAAR	(1)	396522207R2	
U007	C8075	C-CERA C	CK725F1A-105Z1	1	332181050R1	

U007	C8076	C-CERA C	CK725F1E-104Z1	1	332161040R1
U007	C8077	C-CERA C	CK725B1H-102K1	1	332101025R1
U007	C8079	C-CERA C	CK725F1E-104Z1	1	332161040R1
U007	C8080	C-CERA C	CK725B1H-102K1	1	332101025R1
U007	C8081	C-CERA C	CK725B1H-103K1	1	332101035R1
U007	C8082	C-CERA C	CK725B1H-102K1	1	332101025R1
U007	C8083	C-CERA C	CK725B1H-103K1	1	332101035R1
U007	C8084	C-CERA C	CK725B1H-102K1	1	332101025R1
U007	C8085	C-CERA C	CK725B1H-103K1	1	332101035R1
U007	C8086	C-CERA C	CK725B1H-102K1	1	332101025R1
U007	C8087	C-CERA C	CK725B1H-103K1	1	332101035R1
U007	C8088	C-CERA C	CK725B0J-106K	1	332091065R2
U007	C8089	C-CERA C	CK725B1H-102K1	1	332101025R1
U007	C8090	C-CERA C	CK725B1H-103K1	1	332101035R1
U007	C8091	C-CERA C	CK725B1H-102K1	1	332101025R1
U007	C8092	C-CERA C	CK725B1H-103K1	1	332101035R1
U007	C8093	C-CERA C	CK725B1H-102K1	1	332101025R1
U007	C8094	C-CERA C	CK725B1H-103K1	1	332101035R1
U007	C8095	C-CERA C	CK725B1H-102K1	1	332101025R1
U007	C8096	C-CERA C	CK725B1H-103K1	1	332101035R1
U007	C8097	C-CERA C	CK725F1E-104Z1	1	332161040R1
U007	C8157	C-CERA C	CK725B0J-106K	1	332091065R2
U007	C8159	C-CERA C	CK725B0J-106K	1	332091065R2
U007	C8160	C-CERA C	CK725B0J-106K	1	332091065R2
U007	C8161	C-CERA C	CK725F1A-105Z1	1	332181050R1
U007	C8162	C-CERA C	CK725F1E-104Z1	1	332161040R1
U007	C8165	C-CERA C	CK725F1E-104Z1	1	332161040R1
U007	C8166	C-CERA C	CK725B1H-102K1	1	332101025R1
U007	C8167	C-CERA C	CK725F1E-104Z1	1	332161040R1
U007	C8168	C-CERA C	CK725B1H-102K1	1	332101025R1
U007	C8169	C-CERA C	CK725F1E-104Z1	1	332161040R1
U007	C8170	C-CERA C	CK725B1H-102K1	1	332101025R1
U007	C8171	C-CERA C	CK725F1E-104Z1	1	332161040R1
U007	C8172	C-CERA C	CK725B1H-102K1	1	332101025R1
U007	C8173	C-CERA C	CK725F1E-104Z1	1	332161040R1
U007	C8174	C-CERA C	CK725B1H-102K1	1	332101025R1
U007	C8175	C-CERA C	CK725F1E-104Z1	1	332161040R1
U007	C8176	C-CERA C	CK725B1H-102K1	1	332101025R1
U007	C8177	C-CERA C	CK725F1E-104Z1	1	332161040R1

U007	C8178	C-CERA C	CK725B1H-102K1	1	332101025R1	
U007	C8179	C-CERA C	CK725F1E-104Z1	1	332161040R1	
U007	C8180	C-CERA C	CK725B1H-102K1	1	332101025R1	
U007	C8181	C-CERA C	CK725F1A-105Z1	1	332181050R1	
U007	C8182	C-CERA C	CK725B0J-106K	1	332091065R2	
U007	C8183	C-CERA C	CK725B1H-102K1	1	332101025R1	
U007	C8184	C-CERA C	CK725B0J-106K	1	332091065R2	
U007	C8185	C-CERA C	CK725B0J-106K	1	332091065R2	
U007	C8186	C-CERA C	CK725F1E-104Z1	1	332161040R1	
U007	C8187	C-CERA C	CK725B0J-106K	1	332091065R2	
U007	C8188	C-CERA C	CK725B0J-106K	1	332091065R2	
U007	C8189	C-CERA C	CK725B1H-102K1	1	332101025R1	
U007	C8191	C-CERA C	CK725F1A-105Z1	1	332181050R1	
U007	C8192	C-CERA C	CK725B1H-102K1	1	332101025R1	
U007	C8193	C-CERA C	CK725F1E-104Z1	1	332161040R1	
U007	C8194	C-CERA C	CK725B1A-105K1	1	332131055R1	
U007	C8195	C-CERA C	CK725B1A-105K1	1	332131055R1	
U007	C8196	C-CERA C	CK725B1A-105K1	1	332131055R1	
U007	C8197	C-CERA C	CK725B1A-105K1	1	332131055R1	
U007	C8198	C-CERA C	CK725B1A-105K1	1	332131055R1	
U007	C8199	C-CERA C	CK725B0J-106K	1	332091065R2	
U007	C8200	C-CERA C	CK725F1E-104Z1	1	332161040R1	
U007	C8201	C-CERA C	CK725B1H-102K1	1	332101025R1	
U007	C8202	CHIP TANTAL	TEESVA0J226M8R	1	398422207R2	N
U007	C8202 or	CHIP TANTAL	F93-6.3V-22M	(1)	395522207R2	
U007	C8202 or	CHIP TANTAL	TCSCS0J226MAAR	(1)	396522207R2	
U007	C8203	C-CERA C	CK725B0J-106K	1	332091065R2	
U007	C8204	C-CERA C	CK725B0J-106K	1	332091065R2	
U007	C8205	CHIP TANTAL	TEESVA0J226M8R	1	398422207R2	N
U007	C8205 or	CHIP TANTAL	F93-6.3V-22M	(1)	395522207R2	
U007	C8205 or	CHIP TANTAL	TCSCS0J226MAAR	(1)	396522207R2	
U007	C8206	C-CERA C	CK725B1H-102K1	1	332101025R1	
U007	C8207	C-CERA C	CK725F1E-104Z1	1	332161040R1	
U007	C8208	C-CERA C	CC725CH1H-330J1	1	342103304R1	
U007	C8209	C-CERA C	CC725CH1H-330J1	1	342103304R1	
U007	C8210	C-CERA C	CK725F1E-104Z1	1	332161040R1	
U007	C8211	C-CERA C	CK725B0J-106K	1	332091065R2	
U007	C8212	C-CERA C	CK725B0J-106K	1	332091065R2	
U007	C8213	C-CERA C	CK725F1E-104Z1	1	332161040R1	



U007	C8214	C-CERA C	CK725B0J-106K	1	332091065R2	
U007	C8215	C-CERA C	CK725B0J-106K	1	332091065R2	
U007	C8216	C-CERA C	CK725B0J-106K	1	332091065R2	
U007	C8217	CHIP TANTAL	TEESVA0J226M8R	1	398422207R2	N
U007	C8217 or	CHIP TANTAL	F93-6.3V-22M	(1)	395522207R2	
U007	C8217 or	CHIP TANTAL	TCSCS0J226MAAR	(1)	396522207R2	
U007	C8218	C-CERA C	CK725B1H-102K1	1	332101025R1	
U007	C8219	C-CERA C	CK725F1E-104Z1	1	332161040R1	
U007	C8220	C-CERA C	CK725B1H-102K1	1	332101025R1	
U007	C8221	C-CERA C	CK725F1E-104Z1	1	332161040R1	
U007	C8222	C-CERA C	CK725B1H-102K1	1	332101025R1	
U007	C8223	C-CERA C	CK725F1E-104Z1	1	332161040R1	
U007	C8224	C-CERA C	CK725F1E-104Z1	1	332161040R1	
U007	C8225	C-CERA C	CK725B1H-102K1	1	332101025R1	
U007	C8226	C-CERA C	CK725F1E-104Z1	1	332161040R1	
U007	C8227	C-CERA C	CK725B1H-102K1	1	332101025R1	
U007	C8228	C-CERA C	CK725F1E-104Z1	1	332161040R1	
U007	C8229	C-CERA C	CK725F1E-104Z1	1	332161040R1	
U007	C8230	CHIP TANTAL	TEESVA0J226M8R	1	398422207R2	N
U007	C8230 or	CHIP TANTAL	F93-6.3V-22M	(1)	395522207R2	
U007	C8230 or	CHIP TANTAL	TCSCS0J226MAAR	(1)	396522207R2	
U007	C8231	C-CERA C	CK725B0J-106K	1	332091065R2	
U007	C8232	C-CERA C	CK725B0J-106K	1	332091065R2	
U007	C8233	C-CERA C	CK725B1H-102K1	1	332101025R1	
U007	C8234	C-CERA C	CK725F1E-104Z1	1	332161040R1	
U007	C8235	C-CERA C	CK725B1H-102K1	1	332101025R1	
U007	C8236	C-CERA C	CK725F1E-104Z1	1	332161040R1	
U007	C8237	C-CERA C	CK725B1H-102K1	1	332101025R1	
U007	C8238	C-CERA C	CK725F1E-104Z1	1	332161040R1	
U007	C8239	C-CERA C	CK725B1H-102K1	1	332101025R1	
U007	C8240	C-CERA C	CK725B0J-106K	1	332091065R2	
U007	C8241	C-CERA C	CK725B0J-106K	1	332091065R2	
U007	C8242	C-CERA C	CK725F1E-104Z1	1	332161040R1	
U007	C8243	C-CERA C	CK725B1H-102K1	1	332101025R1	
U007	C8244	C-CERA C	CK725F1E-104Z1	1	332161040R1	
U007	C8245	C-CERA C	CK725B1H-102K1	1	332101025R1	
U007	C8246	C-CERA C	CK725F1E-104Z1	1	332161040R1	
U007	C8247	C-CERA C	CK725B0J-106K	1	332091065R2	
U007	C8248	C-CERA C	CK725B1A-474K1	1	332134745R1	

U007	C8249	C-CERA C	CK725B1A-474K1	1	332134745R1	
U007	C8251	C-CERA C	CK725F1E-104Z1	1	332161040R1	
U007	C8253	C-CERA C	CK725B0J-106K	1	332091065R2	
U007	C8254	C-CERA C	CK725F1E-104Z1	1	332161040R1	
U007	C8255	C-CERA C	CK725F1E-104Z1	1	332161040R1	
U007	C8256	C-CERA C	CK725B1H-102K1	1	332101025R1	
U007	C8257	C-CERA C	CK725B0J-106K	1	332091065R2	
U007	C8258	C-CERA C	CK725F1E-104Z1	1	332161040R1	
U007	C8259	C-CERA C	CK725F1E-104Z1	1	332161040R1	
U007	C8260	C-CERA C	CK725B0J-106K	1	332091065R2	
U007	C8261	C-CERA C	CK725F1E-104Z1	1	332161040R1	
U007	C8262	C-CERA C	CK725F1E-104Z1	1	332161040R1	
U007	C8263	C-CERA C	CK725B0J-106K	1	332091065R2	
U007	C8264	C-CERA C	CK725F1E-104Z1	1	332161040R1	
U007	C8265	C-CERA C	CK725F1E-104Z1	1	332161040R1	
U007	C8266	C-CERA C	CK725F1E-104Z1	1	332161040R1	
U007	C8267	C-CERA C	CK725B0J-106K	1	332091065R2	
U007	C8268	C-CERA C	CK725F1E-104Z1	1	332161040R1	
U007	C8269	C-CERA C	CK725F1E-104Z1	1	332161040R1	
U007	C8270	C-CERA C	CK725F1E-104Z1	1	332161040R1	
U007	C8271	C-CERA C	CK725F1E-104Z1	1	332161040R1	
U007	C8272	C-CERA C	CK725B0J-106K	1	332091065R2	
U007	C8273	CHIP TANTAL	TEESVA0J226M8R	1	398422207R2	N
U007	C8273 or	CHIP TANTAL	F93-6.3V-22M	(1)	395522207R2	
U007	C8273 or	CHIP TANTAL	TCSCS0J226MAAR	(1)	396522207R2	
U007	C8274	C-CERA C	CK725B1H-102K1	1	332101025R1	
U007	C8275	C-CERA C	CK725B1H-103K1	1	332101035R1	
U007	C8276	C-CERA C	CK725B1H-102K1	1	332101025R1	
U007	C8277	C-CERA C	CK725B1H-103K1	1	332101035R1	
U007	C8278	C-CERA C	CK725B1H-102K1	1	332101025R1	
U007	C8279	C-CERA C	CK725B1H-103K1	1	332101035R1	
U007	C8280	C-CERA C	CK725B1H-102K1	1	332101025R1	
U007	C8281	CHIP TANTAL	TEESVA0J226M8R	1	398422207R2	N
U007	C8281 or	CHIP TANTAL	F93-6.3V-22M	(1)	395522207R2	
U007	C8281 or	CHIP TANTAL	TCSCS0J226MAAR	(1)	396522207R2	
U007	C8282	C-CERA C	CK725B1H-102K1	1	332101025R1	
U007	C8283	C-CERA C	CK725B1H-103K1	1	332101035R1	
U007	C8284	C-CERA C	CK725B1H-102K1	1	332101025R1	
U007	C8285	C-CERA C	CK725B1H-103K1	1	332101035R1	

U007	C8286	C-CERA C	CK725B1H-102K1	1	332101025R1	
U007	C8287	C-CERA C	CK725B1H-103K1	1	332101035R1	
U007	C8288	C-CERA C	CK725B1H-102K1	1	332101025R1	
U007	C8289	C-CERA C	CK725F1E-104Z1	1	332161040R1	
U007	C8290	C-CERA C	CK725B1H-102K1	1	332101025R1	
U007	C8291	C-CERA C	CK725F1E-104Z1	1	332161040R1	
U007	C8292	C-CERA C	CK725F1A-105Z1	1	332181050R1	
U007	C8293	CHIP TANTAL	TEESVA0J226M8R	1	398422207R2	N
U007	C8293 or	CHIP TANTAL	F93-6.3V-22M	(1)	395522207R2	
U007	C8293 or	CHIP TANTAL	TCSCS0J226MAAR	(1)	396522207R2	
U007	C8294	CHIP TANTAL	TEESVA0J226M8R	1	398422207R2	N
U007	C8294 or	CHIP TANTAL	F93-6.3V-22M	(1)	395522207R2	
U007	C8294 or	CHIP TANTAL	TCSCS0J226MAAR	(1)	396522207R2	
U007	C8295	C-CERA C	CK725B1H-103K1	1	332101035R1	
U007	C8296	C-CERA C	CK725B1H-103K1	1	332101035R1	
U007	C8297	CHIP TANTAL	TEESVA0J226M8R	1	398422207R2	N
U007	C8297 or	CHIP TANTAL	F93-6.3V-22M	(1)	395522207R2	
U007	C8297 or	CHIP TANTAL	TCSCS0J226MAAR	(1)	396522207R2	
U007	C8298	C-CERA C	CK725B1H-103K1	1	332101035R1	
U007	C8299	C-CERA C	CK725B1H-103K1	1	332101035R1	
U007	C8326	C-CERA C	CK725B1E-106K	1	332221065R2	
U007	C8328	C-CERA C	CK725B0J-106K	1	332091065R2	
U007	C8330	C-CERA C	CK725F1E-104Z1	1	332161040R1	
U007	C8348	C-CERA C	CK725B1H-102K1	1	332101025R1	
U007	C8376	C-CERA C	CK725B1E-106K	1	332221065R2	
U007	C8378	C-CERA C	CK725B0J-106K	1	332091065R2	
U007	C8380	C-CERA C	CK725F1E-104Z1	1	332161040R1	
U007	C8398	C-CERA C	CK725B1H-102K1	1	332101025R1	
U007	C8399	C-CERA C	CK725B1H-102K1	1	332101025R1	
U007	C8401	C-CERA C	CK725F1E-104Z1	1	332161040R1	
U007	C8402	C-CERA C	CK725B1H-103K1	1	332101035R1	
U007	C8403	C-CERA C	CK725F1E-104Z1	1	332161040R1	
U007	C8404	C-CERA C	CK725B1H-103K1	1	332101035R1	
U007	C8405	C-CERA C	CK725F1E-104Z1	1	332161040R1	
U007	C8406	C-CERA C	CK725B1H-103K1	1	332101035R1	
U007	C8407	C-CERA C	CK725F1E-104Z1	1	332161040R1	
U007	C8408	C-CERA C	CK725B1H-103K1	1	332101035R1	
U007	C8409	C-CERA C	CK725F1E-104Z1	1	332161040R1	
U007	C8410	C-CERA C	CK725B1H-103K1	1	332101035R1	

U007	C8411	C-CERA C	CK725F1E-104Z1	1	332161040R1
U007	C8412	C-CERA C	CK725B1H-103K1	1	332101035R1
U007	C8413	C-CERA C	CK725F1E-104Z1	1	332161040R1
U007	C8414	C-CERA C	CK725B1H-103K1	1	332101035R1
U007	C8415	C-CERA C	CK725F1E-104Z1	1	332161040R1
U007	C8416	C-CERA C	CK725B1H-103K1	1	332101035R1
U007	C8417	C-CERA C	CK725F1E-104Z1	1	332161040R1
U007	C8418	C-CERA C	CK725B1H-103K1	1	332101035R1
U007	C8420	C-CERA C	CK725B1H-102K1	1	332101025R1
U007	C8421	C-CERA C	CK725B0J-106K	1	332091065R2
U007	C8422	C-CERA C	CK725B0J-106K	1	332091065R2
U007	C8424	C-CERA C	CK725B0J-106K	1	332091065R2
U007	C8425	C-CERA C	CK725B0J-106K	1	332091065R2
U007	C8428	C-CERA C	CK725B0J-106K	1	332091065R2
U007	C8429	C-CERA C	CK725F1E-104Z1	1	332161040R1
U007	C8430	C-CERA C	CC725CH1H-080D1	1	342100802R1
U007	C8431	C-CERA C	CK725B0J-106K	1	332091065R2
U007	C8432	C-CERA C	CK725B1H-103K1	1	332101035R1
U007	C8433	C-CERA C	CK725F1E-104Z1	1	332161040R1
U007	C8434	C-CERA C	CK725B1H-103K1	1	332101035R1
U007	C8435	C-CERA C	CK725F1E-104Z1	1	332161040R1
U007	C8436	C-CERA C	CK725F1A-105Z1	1	332181050R1
U007	C8437	C-CERA C	CK725F1A-105Z1	1	332181050R1
U007	C8438	C-CERA C	CK725F1A-105Z1	1	332181050R1
U007	C8439	C-CERA C	CK725F1A-105Z1	1	332181050R1
U007	C8440	C-CERA C	CK725B1A-105K1	1	332131055R1
U007	C8441	C-CERA C	CK725B1A-105K1	1	332131055R1
U007	C8442	C-CERA C	CC725CH1H-101J1	1	342101014R1
U007	C8443	C-CERA C	CK725B1C-104K1	1	332121045R1
U007	C8449	C-CERA C	CK725B1H-102K1	1	332101025R1
U007	C8451	C-CERA C	CK725F1E-104Z1	1	332161040R1
U007	C8452	C-CERA C	CK725B1H-103K1	1	332101035R1
U007	C8453	C-CERA C	CK725F1E-104Z1	1	332161040R1
U007	C8454	C-CERA C	CK725B1H-103K1	1	332101035R1
U007	C8455	C-CERA C	CK725F1E-104Z1	1	332161040R1
U007	C8456	C-CERA C	CK725B1H-103K1	1	332101035R1
U007	C8457	C-CERA C	CK725F1E-104Z1	1	332161040R1
U007	C8458	C-CERA C	CK725B1H-103K1	1	332101035R1
U007	C8459	C-CERA C	CK725F1E-104Z1	1	332161040R1

U007	C8460	C-CERA C	CK725B1H-103K1	1	332101035R1
U007	C8461	C-CERA C	CK725F1E-104Z1	1	332161040R1
U007	C8462	C-CERA C	CK725B1H-103K1	1	332101035R1
U007	C8463	C-CERA C	CK725F1E-104Z1	1	332161040R1
U007	C8464	C-CERA C	CK725B1H-103K1	1	332101035R1
U007	C8465	C-CERA C	CK725F1E-104Z1	1	332161040R1
U007	C8466	C-CERA C	CK725B1H-103K1	1	332101035R1
U007	C8467	C-CERA C	CK725F1E-104Z1	1	332161040R1
U007	C8468	C-CERA C	CK725B1H-103K1	1	332101035R1
U007	C8470	C-CERA C	CK725B1H-102K1	1	332101025R1
U007	C8471	C-CERA C	CK725B0J-106K	1	332091065R2
U007	C8472	C-CERA C	CK725B0J-106K	1	332091065R2
U007	C8474	C-CERA C	CK725B0J-106K	1	332091065R2
U007	C8475	C-CERA C	CK725B0J-106K	1	332091065R2
U007	C8481	C-CERA C	CK725B0J-106K	1	332091065R2
U007	C8482	C-CERA C	CK725B1H-103K1	1	332101035R1
U007	C8483	C-CERA C	CK725F1E-104Z1	1	332161040R1
U007	C8484	C-CERA C	CK725B1H-103K1	1	332101035R1
U007	C8485	C-CERA C	CK725F1E-104Z1	1	332161040R1
U007	C8486	C-CERA C	CK725F1A-105Z1	1	332181050R1
U007	C8487	C-CERA C	CK725F1A-105Z1	1	332181050R1
U007	C8488	C-CERA C	CK725F1A-105Z1	1	332181050R1
U007	C8489	C-CERA C	CK725F1A-105Z1	1	332181050R1
U007	C8502	C-CERA C	CK725B0J-106K	1	332091065R2
U007	C8506	C-CERA C	CK725B0J-106K	1	332091065R2
U007	C8507	C-CERA C	CK725B1H-102K1	1	332101025R1
U007	C8508	C-CERA C	CK725F1A-105Z1	1	332181050R1
U007	C8509	C-CERA C	CK725B1H-102K1	1	332101025R1
U007	C8510	C-CERA C	CK725F1A-105Z1	1	332181050R1
U007	C8511	C-CERA C	CK725B1H-102K1	1	332101025R1
U007	C8512	C-CERA C	CK725F1E-104Z1	1	332161040R1
U007	C8513	C-CERA C	CK725B1H-102K1	1	332101025R1
U007	C8514	C-CERA C	CK725F1E-104Z1	1	332161040R1
U007	C8515	C-CERA C	CK725B1H-102K1	1	332101025R1
U007	C8516	C-CERA C	CK725F1E-104Z1	1	332161040R1
U007	C8517	C-CERA C	CK725B1H-102K1	1	332101025R1
U007	C8518	C-CERA C	CK725F1E-104Z1	1	332161040R1
U007	C8519	C-CERA C	CK725B1H-102K1	1	332101025R1
U007	C8522	C-CERA C	CK725B0J-106K	1	332091065R2

U007	C8524	C-CERA C	CK725B0J-106K	1	332091065R2
U007	C8525	C-CERA C	CK725B0J-106K	1	332091065R2
U007	C8527	C-CERA C	CK725B1H-102K1	1	332101025R1
U007	C8530	C-CERA C	CK725F1E-104Z1	1	332161040R1
U007	C8531	C-CERA C	CK725B1H-102K1	1	332101025R1
U007	C8532	C-CERA C	CK725F1E-104Z1	1	332161040R1
U007	C8533	C-CERA C	CK725B1H-102K1	1	332101025R1
U007	C8534	C-CERA C	CK725F1E-104Z1	1	332161040R1
U007	C8535	C-CERA C	CK725B1H-102K1	1	332101025R1
U007	C8536	C-CERA C	CK725F1E-104Z1	1	332161040R1
U007	C8537	C-CERA C	CK725B1H-102K1	1	332101025R1
U007	C8538	C-CERA C	CK725F1E-104Z1	1	332161040R1
U007	C8539	C-CERA C	CK725B1H-102K1	1	332101025R1
U007	C8548	C-CERA C	CK725F1E-104Z1	1	332161040R1
U007	C8549	C-CERA C	CK725B1H-102K1	1	332101025R1
U007	C8550	C-CERA C	CK725F1E-104Z1	1	332161040R1
U007	C8551	C-CERA C	CK725B1H-102K1	1	332101025R1
U007	C8552	C-CERA C	CK725F1E-104Z1	1	332161040R1
U007	C8553	C-CERA C	CK725B1H-102K1	1	332101025R1
U007	C8554	C-CERA C	CK725F1E-104Z1	1	332161040R1
U007	C8555	C-CERA C	CK725B1H-102K1	1	332101025R1
U007	C8556	C-CERA C	CK725F1E-104Z1	1	332161040R1
U007	C8557	C-CERA C	CK725B1H-102K1	1	332101025R1
U007	C8560	C-CERA C	CK725B0J-106K	1	332091065R2
U007	C8561	C-CERA C	CK725B0J-106K	1	332091065R2
U007	C8563	C-CERA C	CK725B0J-106K	1	332091065R2
U007	C8565	C-CERA C	CK725B0J-106K	1	332091065R2
U007	C8566	C-CERA C	CK725B1H-102K1	1	332101025R1
U007	C8567	C-CERA C	CK725F1E-104Z1	1	332161040R1
U007	C8573	C-CERA C	CK725F1E-104Z1	1	332161040R1
U007	C8574	C-CERA C	CC725CH1H-060D1	1	342100602R1
U007	C8575	C-CERA C	CC725CH1H-060D1	1	342100602R1
U007	C8584	C-CERA C	CK725B0J-106K	1	332091065R2
U007	C8605	C-CERA C	CK725B1H-102K1	1	332101025R1
U007	C8606	C-CERA C	CK725B1H-102K1	1	332101025R1
U007	C8611	C-CERA C	CK725B1H-102K1	1	332101025R1
U007	C8612	C-CERA C	CK725B1H-102K1	1	332101025R1
U007	C8621	C-CERA C	CK725B1H-102K1	1	332101025R1
U007	C8622	C-CERA C	CK725B1H-102K1	1	332101025R1

U007	C8631	C-CERA C	CK725B1H-102K1	1	332101025R1
U007	C8632	C-CERA C	CK725B1H-102K1	1	332101025R1
U007	C8641	C-CARBON R	RN72K1J-000JE	1	435030004R1
U007	C8642	C-CERA C	CK725B1H-102K1	1	332101025R1
U007	C8645	C-CERA C	CK725B1H-102K1	1	332101025R1
U007	C8646	C-CERA C	CK725B1H-102K1	1	332101025R1
U007	C8647	C-CERA C	CK725F1E-104Z1	1	332161040R1
U007	C8651	C-CARBON R	RN72K1J-000JE	1	435030004R1
U007	C8652	C-CERA C	CK725B1H-102K1	1	332101025R1
U007	C8701	C-CERA C	CK725F1A-105Z1	1	332181050R1
U007	C8702	C-CERA C	CK725F1A-105Z1	1	332181050R1
U007	C8703	C-CERA C	CK725F1A-105Z1	1	332181050R1
U007	C8704	CHIP ELECT C	CEWX50V-4.7M	1	398180477R2
U007	C8705	C-CERA C	CK725F1A-105Z1	1	332181050R1
U007	C8706	C-CERA C	CK725F1A-105Z1	1	332181050R1
U007	C8707	C-CERA C	CK725F1A-105Z1	1	332181050R1
U007	C8708	C-CERA C	CK725F1A-105Z1	1	332181050R1
U007	C8709	C-CERA C	CK725B0J-106K	1	332091065R2
U007	C8710	C-CERA C	CK725F1A-105Z1	1	332181050R1
U007	C8801	C-CERA C	CK725F1E-104Z1	1	332161040R1
U007	C8802	C-CERA C	CK725F1E-104Z1	1	332161040R1
U007	C8803	C-CERA C	CK725F1E-104Z1	1	332161040R1
U007	C8804	C-CERA C	CK725F1E-104Z1	1	332161040R1
U007	C8805	C-CERA C	CK725F1E-104Z1	1	332161040R1
U007	C8806	C-CERA C	CK725B1H-102K1	1	332101025R1
U007	C8807	C-CERA C	CK725F1E-104Z1	1	332161040R1
U007	C8808	C-CERA C	CK725B1H-102K1	1	332101025R1
U007	C8809	C-CERA C	CK725F1E-104Z1	1	332161040R1
U007	C8810	C-CERA C	CK725B1H-102K1	1	332101025R1
U007	C8811	C-CERA C	CK725F1E-104Z1	1	332161040R1
U007	C8812	C-CERA C	CK725B1H-102K1	1	332101025R1
U007	C8813	C-CERA C	CK725F1E-104Z1	1	332161040R1
U007	C8814	C-CERA C	CK725B1H-102K1	1	332101025R1
U007	C8815	C-CERA C	CK725F1E-104Z1	1	332161040R1
U007	C8816	C-CERA C	CK725B1H-102K1	1	332101025R1
U007	C8817	C-CERA C	CK725B0J-106K	1	332091065R2
U007	C8818	C-CERA C	CK725B0J-106K	1	332091065R2
U007	C8819	C-CERA C	CK725B0J-106K	1	332091065R2
U007	C8820	C-CERA C	CK725B0J-106K	1	332091065R2

U007	C8821	C-CERA C	CK725B1H-102K1	1	332101025R1	
U007	C8822	C-CERA C	CK725F1E-104Z1	1	332161040R1	
U007	C8851	C-CERA C	CK725F1A-105Z1	1	332181050R1	<B MDC, MDF>
U007	C8852	C-CERA C	CK725B0J-106K	1	332091065R2	<B MDC, MDF>
U007	C8853	C-CERA C	CK725B0J-106K	1	332091065R2	<B MDC, MDF>
U007	C8854	C-CERA C	CK725F1A-105Z1	1	332181050R1	<B MDC, MDF>
U007	C8855	C-CERA C	CK725B0J-106K	1	332091065R2	<B MDC, MDF>
U007	C8856	CHIP ELECT C	CEWX4V-220M	1	3981G2217R2	<B MDC, MDF>
U007	C8857	C-CERA C	CK725B0J-106K	1	332091065R2	<B MDC, MDF>
U007	C8860	C-CERA C	CK725F1A-105Z1	1	332181050R1	<B MDC, MDF>
U007	C8861	C-CERA C	CK725F1A-105Z1	1	332181050R1	<B MDC, MDF>
U007	C8862	C-CERA C	CK725B1A-154K1	1	332131545R1	<B MDC, MDF>
U007	C8863	C-CERA C	CK725B1H-153K1	1	332101535R1	<B MDC, MDF>
U007	C8864	C-CERA C	CK725F1A-105Z1	1	332181050R1	<B MDC, MDF>
U007	C8865	C-CERA C	CK725B1A-154K1	1	332131545R1	<B MDC, MDF>
U007	C8866	C-CERA C	CK725B1H-153K1	1	332101535R1	<B MDC, MDF>
U007	C8867	C-CERA C	CK725B1H-222K1	1	332102225R1	<B MDC, MDF>
U007	C8868	C-CERA C	CK725F1A-105Z1	1	332181050R1	<B MDC, MDF>
U007	C8869	C-CERA C	CK725B1H-222K1	1	332102225R1	<B MDC, MDF>
U007	C8870	C-CERA C	CK725B1A-105K1	1	332131055R1	<B MDC, MDF>
U007	C8871	C-CERA C	CK725F1A-105Z1	1	332181050R1	<B MDC, MDF>
U007	C8872	C-CERA C	CK725B0J-106K	1	332091065R2	<B MDC, MDF>
U007	C8873	C-CERA C	CK725B1A-105K1	1	332131055R1	<B MDC, MDF>
U007	C8875	C-CERA C	CK725B0J-225K	1	332092255R1	<B MDC, MDF>
U007	C8876	CHIP ELECT C	CEWX4V-220M	1	3981G2217R2	<B MDC, MDF>
U007	C8877	C-CERA C	CK725F1E-104Z1	1	332161040R1	<B MDC, MDF>
U007	C8879	C-CERA C	CK725B0J-106K	1	332091065R2	<B MDC, MDF>
U007	C8921	C-CERA C	CK725B0J-106K	1	332091065R2	
U007	C8922	C-CERA C	CK725B1A-474K1	1	332134745R1	
U007	C8930	C-CERA C	CK725F1E-104Z1	1	332161040R1	
U007	C8931	C-CERA C	CK725F1E-104Z1	1	332161040R1	
U007	C8932	CHIP ELECT C	CEWX25V-100M	1	398151017R2	
U007	C8933	C-CERA C	CK725B1E-106K	1	332221065R2	
U007	C8934	C-CERA C	CK725B1E-106K	1	332221065R2	
U007	C8935	CHIP ELECT C	CEWX16V-100M	1	398141017R2	
U007	C8936	C-CERA C	CK725B0J-106K	1	332091065R2	
U007	C8937	C-CERA C	CK725B0J-106K	1	332091065R2	
U007	C8938	C-CERA C	CK725B1C-104K1	1	332121045R1	
U007	C8939	C-CERA C	CK725B0J-106K	1	332091065R2	



U007	C8940	C-CERA C	CK725B0J-106K	1	332091065R2	
U007	C8942	CHIP TANTAL	TEESVB20J107M8R	1	398421017R2	N
U007	C8942 or	CHIP TANTAL	F93-6.3V-100M	(1)	395521017R2	
U007	C8942 or	CHIP TANTAL	TCSCS0J107MBAR	(1)	396521017R2	
U007	C8943	C-CERA C	CK725B0J-106K	1	332091065R2	
U007	C8945	C-CERA C	CK725B0J-106K	1	332091065R2	
U007	C8947	CHIP TANTAL	TEESVB20J107M8R	1	398421017R2	N
U007	C8947 or	CHIP TANTAL	F93-6.3V-100M	(1)	395521017R2	
U007	C8947 or	CHIP TANTAL	TCSCS0J107MBAR	(1)	396521017R2	
U007	C8948	C-CERA C	CK725B0J-106K	1	332091065R2	
U007	C8951	C-CERA C	CK725B1C-104K1	1	332121045R1	
U007	C8952	C-CERA C	CK725B1E-106K	1	332221065R2	
U007	C8953	C-CERA C	CK725B1E-106K	1	332221065R2	
U007	C8954	C-CERA C	CK725B1C-104K1	1	332121045R1	
U007	C8956	C-CERA C	CK725B1H-103K1	1	332101035R1	
U007	C8958	C-CERA C	CK725B0J-106K	1	332091065R2	
U007	C8959	C-CERA C	CK725B0J-106K	1	332091065R2	
U007	C8960	C-CERA C	CK725B0J-106K	1	332091065R2	
U007	C8961	C-CERA C	CK725B1C-104K1	1	332121045R1	
U007	C8962	C-CERA C	CK725B1E-106K	1	332221065R2	
U007	C8963	C-CERA C	CK725B1E-106K	1	332221065R2	
U007	C8964	C-CERA C	CK725B1C-104K1	1	332121045R1	
U007	C8966	C-CERA C	CK725B1H-103K1	1	332101035R1	
U007	C8967	C-CERA C	CC725CH1H-151J1	1	342101514R1	
U007	C8968	C-CERA C	CK725B0J-106K	1	332091065R2	
U007	C8969	C-CERA C	CK725B0J-106K	1	332091065R2	
U007	C8970	C-CERA C	CK725B0J-106K	1	332091065R2	
U007	C8971	C-CERA C	CK725B1C-104K1	1	332121045R1	
U007	C8972	C-CERA C	CK725B1E-106K	1	332221065R2	
U007	C8973	C-CERA C	CK725B1E-106K	1	332221065R2	
U007	C8974	C-CERA C	CK725B1C-104K1	1	332121045R1	
U007	C8976	C-CERA C	CK725B1H-223K1	1	332102235R1	
U007	C8977	C-CERA C	CC725CH1H-331J1	1	342103314R1	
U007	C8978	C-CERA C	CK725B0J-106K	1	332091065R2	
U007	C8979	C-CERA C	CK725B0J-106K	1	332091065R2	
U007	C8980	C-CERA C	CK725B0J-106K	1	332091065R2	
U007	C8981	C-CERA C	CK725B1C-104K1	1	332121045R1	
U007	C8982	C-CERA C	CK725B1E-106K	1	332221065R2	
U007	C8983	C-CERA C	CK725B1E-106K	1	332221065R2	

U007	C8984	C-CERA C	CK725B1C-104K1	1	332121045R1
U007	C8986	C-CERA C	CK725B1H-223K1	1	332102235R1
U007	C8987	C-CERA C	CC725CH1H-331J1	1	342103314R1
U007	C8988	C-CERA C	CK725B0J-106K	1	332091065R2
U007	C8989	C-CERA C	CK725B0J-106K	1	332091065R2
U007	C8990	C-CERA C	CK725B0J-106K	1	332091065R2
U007	C8991	C-CERA C	CK725F1A-105Z1	1	332181050R1
U007	C8992	CHIP ELECT C	CEWX10V-220M	1	398132217R2
U007	C8993	C-CERA C	CK725F1A-105Z1	1	332181050R1
U007	C8994	CHIP ELECT C	CEWX10V-220M	1	398132217R2
U007	C8995	C-CERA C	CK725F1A-105Z1	1	332181050R1
U007	C8996	CHIP ELECT C	CEWX10V-220M	1	398132217R2
U007	C8997	C-CERA C	CK725F1A-105Z1	1	332181050R1
U007	C8998	CHIP ELECT C	CEWX10V-220M	1	398132217R2
U007	C8999	C-CERA C	CK725F1A-105Z1	1	332181050R1
U007	<b>[RESISTOR]</b>				
U007	R268	C-CARBON R	RN72K1J-331JE	1	435033314R1
U007	R269	C-CARBON R	RN72K1J-331JE	1	435033314R1
U007	R270	C-CARBON R	RN72K1J-331JE	1	435033314R1
U007	R271	C-CARBON R	RN72K1J-470JE	1	435034704R1
U007	R272	C-CARBON R	RN72K1J-331JE	1	435033314R1
U007	R273	C-CARBON R	RN72K1J-331JE	1	435033314R1
U007	R274	C-CARBON R	RN72K1J-470JE	1	435034704R1
U007	R275	C-CARBON R	RN72K1J-221JE	1	435032214R1
U007	R276	C-CARBON R	RN72K1J-221JE	1	435032214R1
U007	R277	C-CARBON R	RN72K1J-151JE	1	435031514R1
U007	R278	C-CARBON R	RN72K1J-331JE	1	435033314R1
U007	R279	C-CARBON R	RN72K1J-331JE	1	435033314R1
U007	R280	C-CARBON R	RN72K1J-470JE	1	435034704R1
U007	R3009	C-CARBON R	RN72K1J-330JE	1	435033304R1
U007	R3010	C-R NET	RM7LJ330X04	1	43484733004R2
U007	R3011	C-R NET	RM7LJ330X04	1	43484733004R2
U007	R3012	C-R NET	RM7LJ470X04	1	43484747004R2
U007	R3013	C-R NET	RM7LJ330X04	1	43484733004R2
U007	R3014	C-R NET	RM7LJ330X04	1	43484733004R2
U007	R3015	C-R NET	RM7LJ330X04	1	43484733004R2
U007	R3016	C-CARBON R	RN72K1J-470JE	1	435034704R1
U007	R3017	C-R NET	RM7LJ330X04	1	43484733004R2
U007	R3018	C-CARBON R	RN72K1J-470JE	1	435034704R1

U007	R3019	C-R NET	RM7LJ330X04	1	43484733004R2
U007	R3020	C-R NET	RM7LJ330X04	1	43484733004R2
U007	R3021	C-CARBON R	RN72K1J-470JE	1	435034704R1
U007	R3022	C-CARBON R	RN72K1J-470JE	1	435034704R1
U007	R3023	C-R NET	RM7LJ470X04	1	43484747004R2
U007	R3024	C-CARBON R	RN72K1J-470JE	1	435034704R1
U007	R3025	C-CARBON R	RN72K1J-102JE	1	435031024R1
U007	R3026	C-CARBON R	RN72K1J-470JE	1	435034704R1
U007	R3028	C-CARBON R	RN72K1J-470JE	1	435034704R1
U007	R3029	C-CARBON R	RN72K1J-102JE	1	435031024R1
U007	R3032	C-CARBON R	RN72K1J-103JE	1	435031034R1
U007	R3033	C-CARBON R	RN72K1J-470JE	1	435034704R1
U007	R3034	C-CARBON R	RN72K1J-470JE	1	435034704R1
U007	R3035	C-CARBON R	RN72K1J-470JE	1	435034704R1
U007	R3036	C-CARBON R	RN72K1J-470JE	1	435034704R1
U007	R3037	C-CARBON R	RN72K1J-470JE	1	435034704R1
U007	R3038	C-CARBON R	RN72K1J-470JE	1	435034704R1
U007	R3039	C-CARBON R	RN72K1J-470JE	1	435034704R1
U007	R3040	C-CARBON R	RN72K1J-103JE	1	435031034R1
U007	R3041	C-R NET	RM7LJ330X04	1	43484733004R2
U007	R3042	C-R NET	RM7LJ330X04	1	43484733004R2
U007	R3043	C-CARBON R	RN72K1J-000JE	1	435030004R1
U007	R3044	C-R NET	RM7LJ330X04	1	43484733004R2
U007	R3045	C-R NET	RM7LJ330X04	1	43484733004R2
U007	R3047	C-CARBON R	RN72K1J-560JE	1	435035604R1
U007	R3048	C-CARBON R	RN72K1J-000JE	1	435030004R1
U007	R3049	C-CARBON R	RN72K1J-560JE	1	435035604R1
U007	R3050	C-CARBON R	RN72K1J-560JE	1	435035604R1
U007	R3051	C-CARBON R	RN72K1J-560JE	1	435035604R1
U007	R3052	C-CARBON R	RN72K1J-103JE	1	435031034R1
U007	R3053	C-CARBON R	RN72K1J-103JE	1	435031034R1
U007	R3054	C-CARBON R	RN72K1J-103JE	1	435031034R1
U007	R3055	C-CARBON R	RN72K1J-472JE	1	435034724R1
U007	R3056	C-CARBON R	RN72K1J-472JE	1	435034724R1
U007	R3060	C-CARBON R	RN72K1J-680JE	1	435036804R1
U007	R3061	C-CARBON R	RN72K1J-470JE	1	435034704R1
U007	R3062	C-CARBON R	RN72K1J-680JE	1	435036804R1
U007	R3063	C-CARBON R	RN72K1J-680JE	1	435036804R1
U007	R3064	C-CARBON R	RN72K1J-680JE	1	435036804R1

U007	R3065	C-CARBON R	RN72K1J-680JE	1	435036804R1
U007	R3066	C-CARBON R	RN72K1J-102JE	1	435031024R1
U007	R3101	C-CARBON R	RN72K1J-103JE	1	435031034R1
U007	R3104	C-CARBON R	RN72K1J-331JE	1	435033314R1
U007	R3108	C-CARBON R	RN72K1J-103JE	1	435031034R1
U007	R3110	C-CARBON R	RN72K1J-103JE	1	435031034R1
U007	R3111	C-CARBON R	RN72K1J-103JE	1	435031034R1
U007	R3113	C-CARBON R	RN72K1J-103JE	1	435031034R1
U007	R3115	C-CARBON R	RN72K1J-103JE	1	435031034R1
U007	R3117	C-CARBON R	RN72K1J-103JE	1	435031034R1
U007	R3119	C-CARBON R	RN72K1J-472JE	1	435034724R1
U007	R3122	C-CARBON R	RN72K1J-102JE	1	435031024R1
U007	R3123	C-CARBON R	RN72K1J-000JE	1	435030004R1
U007	R3124	C-CARBON R	RN72K1J-331JE	1	435033314R1
U007	R3125	C-CARBON R	RN72K1J-470JE	1	435034704R1
U007	R3126	C-CARBON R	RN72K1J-470JE	1	435034704R1
U007	R3127	C-CARBON R	RN72K1J-470JE	1	435034704R1
U007	R3128	C-CARBON R	RN72K1J-472JE	1	435034724R1
U007	R3129	C-CARBON R	RN72K1J-470JE	1	435034704R1
U007	R3130	C-CARBON R	RN72K1J-470JE	1	435034704R1
U007	R3131	C-CARBON R	RN72K1J-470JE	1	435034704R1
U007	R3132	C-CARBON R	RN72K1J-103JE	1	435031034R1
U007	R3133	C-CARBON R	RN72K1J-470JE	1	435034704R1
U007	R3134	C-CARBON R	RN72K1J-103JE	1	435031034R1
U007	R3135	C-CARBON R	RN72K1J-103JE	1	435031034R1
U007	R3136	C-CARBON R	RN72K1J-000JE	1	435030004R1
U007	R3137	C-CARBON R	RN72K1J-000JE	1	435030004R1
U007	R3139	C-CARBON R	RN72K1J-101JE	1	435031014R1
U007	R3143	C-CARBON R	RN72K1J-103JE	1	435031034R1
U007	R3144	C-CARBON R	RN72K1J-101JE	1	435031014R1
U007	R3145	C-CARBON R	RN72K1J-103JE	1	435031034R1
U007	R3146	C-CARBON R	RN72K1J-390JE	1	435033904R1
U007	R3147	C-CARBON R	RN72K1J-000JE	1	435030004R1
U007	R3148	C-CARBON R	RN72K1J-390JE	1	435033904R1
U007	R3149	C-CARBON R	RN72K1J-102JE	1	435031024R1
U007	R3150	C-CARBON R	RN72K1J-151JE	1	435031514R1
U007	R3151	C-CARBON R	RN72K1J-103JE	1	435031034R1
U007	R3152	C-CARBON R	RN72K1J-103JE	1	435031034R1
U007	R3154	C-CARBON R	RN72K1J-390JE	1	435033904R1

U007	R3155	C-CARBON R	RN72K1J-390JE	1	435033904R1
U007	R3156	C-CARBON R	RN72K1J-390JE	1	435033904R1
U007	R3157	C-CARBON R	RN72K1J-000JE	1	435030004R1
U007	R3158	C-CARBON R	RN72K1J-000JE	1	435030004R1
U007	R3159	C-CARBON R	RN72K1J-000JE	1	435030004R1
U007	R3160	C-CARBON R	RN72K1J-000JE	1	435030004R1
U007	R3162	C-CARBON R	RN72K1J-390JE	1	435033904R1
U007	R3163	C-CARBON R	RN72K1J-220JE	1	435032204R1
U007	R3164	C-CARBON R	RN72K1J-472JE	1	435034724R1
U007	R3168	C-CARBON R	RN72K1J-220JE	1	435032204R1
U007	R3169	C-CARBON R	RN72K1J-220JE	1	435032204R1
U007	R3170	C-CARBON R	RN72K1J-391FE	1	435033912R1
U007	R3171	C-CARBON R	RN72K1J-222FE	1	435032222R1
U007	R3172	C-CARBON R	RN72K1J-392FE	1	435033922R1
U007	R3173	C-CARBON R	RN72K1J-390JE	1	435033904R1
U007	R3174	C-CARBON R	RN72K1J-390JE	1	435033904R1
U007	R3176	C-CARBON R	MCR03EZPF49R9(49.9_1%)	1	4100037R2
U007	R3177	C-CARBON R	MCR03EZPF49R9(49.9_1%)	1	4100037R2
U007	R3178	C-CARBON R	MCR03EZPF49R9(49.9_1%)	1	4100037R2
U007	R3179	C-CARBON R	MCR03EZPF49R9(49.9_1%)	1	4100037R2
U007	R3180	C-CARBON R	RN72K1J-100FE	1	435031002R1
U007	R3181	C-CARBON R	RN72K1J-470JE	1	435034704R1
U007	R3182	C-CARBON R	RN72K1J-472JE	1	435034724R1
U007	R3183	C-CARBON R	RN72K1J-470JE	1	435034704R1
U007	R3184	C-CARBON R	RN72K1J-470JE	1	435034704R1
U007	R3185	C-CARBON R	RN72K1J-332FE	1	435033322R1
U007	R3186	C-CARBON R	RN72K1J-472JE	1	435034724R1
U007	R3187	C-CARBON R	RN72K1J-223FE	1	435032232R1
U007	R3188	C-CARBON R	RN72K1J-224FE	1	435032242R1
U007	R3189	C-CARBON R	RN72K1J-682FE	1	435036822R1
U007	R3190	C-CARBON R	RN72K1J-393FE	1	435033932R1
U007	R3191	C-CARBON R	RN72K1J-105FE	1	435031052R1
U007	R3192	C-CARBON R	RN72K1J-472JE	1	435034724R1
U007	R3193	C-CARBON R	RN72K1J-472JE	1	435034724R1
U007	R3194	C-CARBON R	RN72K1J-472JE	1	435034724R1
U007	R3199	C-CARBON R	RN72K1J-102JE	1	435031024R1
U007	R3200	C-CARBON R	RN72K1J-103JE	1	435031034R1
U007	R3201	C-CARBON R	RN72K1J-103JE	1	435031034R1
U007	R3202	C-CARBON R	RN72K1J-103JE	1	435031034R1

U007	R3203	C-CARBON R	RN72K1J-103JE	1	435031034R1
U007	R3204	C-CARBON R	RN72K1J-103JE	1	435031034R1
U007	R3205	C-CARBON R	RN72K1J-103JE	1	435031034R1
U007	R3208	C-CARBON R	RN72K1J-271JE	1	435032714R1
U007	R3212	C-CARBON R	RN72K1J-220JE	1	435032204R1
U007	R3215	C-CARBON R	RN72K1J-221JE	1	435032214R1
U007	R3218	C-CARBON R	RN72K1J-220JE	1	435032204R1
U007	R3219	C-CARBON R	RN72K1J-221JE	1	435032214R1
U007	R3221	C-CARBON R	RN72K1J-470JE	1	435034704R1
U007	R3224	C-CARBON R	RN72K1J-331JE	1	435033314R1
U007	R3225	C-CARBON R	RN72K1J-220JE	1	435032204R1
U007	R3226	C-R NET	RM7LJ470X04	1	43484747004R2
U007	R3227	C-CARBON R	RN72K1J-470JE	1	435034704R1
U007	R3228	C-CARBON R	RN72K1J-470JE	1	435034704R1
U007	R3229	C-CARBON R	RN72K1J-470JE	1	435034704R1
U007	R3230	C-CARBON R	RN72K1J-221JE	1	435032214R1
U007	R3231	C-CARBON R	RN72K1J-470JE	1	435034704R1
U007	R3232	C-CARBON R	RN72K1J-221JE	1	435032214R1
U007	R3233	C-CARBON R	RN72K1J-221JE	1	435032214R1
U007	R3234	C-CARBON R	RN72K1J-470JE	1	435034704R1
U007	R3236	C-CARBON R	RN72K1J-470JE	1	435034704R1
U007	R3237	C-CARBON R	RN72K1J-221JE	1	435032214R1
U007	R3238	C-CARBON R	RN72K1J-470JE	1	435034704R1
U007	R3239	C-CARBON R	RN72K1J-221JE	1	435032214R1
U007	R3240	C-CARBON R	RN72K1J-103JE	1	435031034R1
U007	R3241	C-CARBON R	RN72K1J-221JE	1	435032214R1
U007	R3242	C-CARBON R	RN72K1J-221JE	1	435032214R1
U007	R3243	C-CARBON R	RN72K1J-220JE	1	435032204R1
U007	R3244	C-CARBON R	RN72K1J-470JE	1	435034704R1
U007	R3246	C-CARBON R	RN72K1J-103JE	1	435031034R1
U007	R3247	C-CARBON R	RN72K1J-121JE	1	435031214R1
U007	R3248	C-CARBON R	RN72K1J-220JE	1	435032204R1
U007	R3249	C-CARBON R	RN72K1J-470JE	1	435034704R1
U007	R3250	C-CARBON R	RN72K1J-470JE	1	435034704R1
U007	R3251	C-CARBON R	RN72K1J-470JE	1	435034704R1
U007	R3253	C-CARBON R	RN72K1J-470JE	1	435034704R1
U007	R3254	C-CARBON R	RN72K1J-470JE	1	435034704R1
U007	R3255	C-CARBON R	RN72K1J-103JE	1	435031034R1
U007	R3256	C-CARBON R	RN72K1J-470JE	1	435034704R1

U007	R3257	C-CARBON R	RN72K1J-470JE	1	435034704R1
U007	R3259	C-CARBON R	RN72K1J-220JE	1	435032204R1
U007	R3260	C-CARBON R	RN72K1J-390JE	1	435033904R1
U007	R3261	C-CARBON R	RN72K1J-470JE	1	435034704R1
U007	R3262	C-CARBON R	RN72K1J-221JE	1	435032214R1
U007	R3264	C-CARBON R	RN72K1J-470JE	1	435034704R1
U007	R3265	C-CARBON R	RN72K1J-390JE	1	435033904R1
U007	R3267	C-CARBON R	RN72K1J-470JE	1	435034704R1
U007	R3268	C-CARBON R	RN72K1J-390JE	1	435033904R1
U007	R3270	C-CARBON R	RN72K1J-470JE	1	435034704R1
U007	R3271	C-CARBON R	RN72K1J-390JE	1	435033904R1
U007	R3272	C-CARBON R	RN72K1J-470JE	1	435034704R1
U007	R3273	C-CARBON R	RN72K1J-470JE	1	435034704R1
U007	R3274	C-CARBON R	RN72K1J-390JE	1	435033904R1
U007	R3275	C-CARBON R	RN72K1J-220JE	1	435032204R1
U007	R3276	C-CARBON R	RN72K1J-470JE	1	435034704R1
U007	R3277	C-CARBON R	RN72K1J-220JE	1	435032204R1
U007	R3278	C-CARBON R	RN72K1J-470JE	1	435034704R1
U007	R3279	C-CARBON R	RN72K1J-470JE	1	435034704R1
U007	R3280	C-CARBON R	RN72K1J-470JE	1	435034704R1
U007	R3281	C-CARBON R	RN72K1J-103JE	1	435031034R1
U007	R3282	C-CARBON R	RN72K1J-103JE	1	435031034R1
U007	R3283	C-CARBON R	RN72K1J-103JE	1	435031034R1
U007	R3284	C-CARBON R	RN72K1J-103JE	1	435031034R1
U007	R3287	C-CARBON R	RN72K1J-220JE	1	435032204R1
U007	R3288	C-CARBON R	RN72K1J-223JE	1	435032234R1
U007	R3289	C-CARBON R	RN72K1J-472JE	1	435034724R1
U007	R3290	C-CARBON R	RN72K1J-221JE	1	435032214R1
U007	R3291	C-CARBON R	RN72K1J-105JE	1	435031054R1
U007	R3293	C-CARBON R	RN72K1J-560JE	1	435035604R1
U007	R3294	C-CARBON R	RN72K1J-561FE	1	435035612R1
U007	R3295	C-CARBON R	RN72K1J-560JE	1	435035604R1
U007	R3296	C-CARBON R	RN72K1J-223JE	1	435032234R1
U007	R3297	C-CARBON R	RN72K1J-822JE	1	435038224R1
U007	R3298	C-CARBON R	RN72K1J-332JE	1	435033324R1
U007	R3299	C-CARBON R	RN72K1J-220JE	1	435032204R1
U007	R3300	C-CARBON R	RN72K1J-153JE	1	435031534R1
U007	R3301	C-CARBON R	RN72K1J-153JE	1	435031534R1
U007	R3302	C-CARBON R	RN72K1J-331JE	1	435033314R1

U007	R3303	C-CARBON R	RN72K1J-104JE	1	435031044R1
U007	R3304	C-CARBON R	RN72K1J-153JE	1	435031534R1
U007	R3305	C-CARBON R	RN72K1J-153JE	1	435031534R1
U007	R3307	C-CARBON R	RN72K1J-104JE	1	435031044R1
U007	R3308	C-CARBON R	RN72K1J-223JE	1	435032234R1
U007	R3309	C-CARBON R	RN72K1J-822JE	1	435038224R1
U007	R3310	C-CARBON R	RN72K1J-332JE	1	435033324R1
U007	R3311	C-CARBON R	RN72K1J-471JE	1	435034714R1
U007	R3312	C-CARBON R	RN72K1J-223JE	1	435032234R1
U007	R3313	C-CARBON R	RN72K1J-472JE	1	435034724R1
U007	R3314	C-CARBON R	RN72K1J-391JE	1	435033914R1
U007	R3315	C-CARBON R	RN72K1J-750JE	1	435037504R1
U007	R3401	C-CARBON R	RN72K1J-000JE	1	435030004R1
U007	R3402	C-CARBON R	RN72K1J-000JE	1	435030004R1
U007	R3403	C-CARBON R	RN72K1J-000JE	1	435030004R1
U007	R3404	C-CARBON R	RN72K1J-000JE	1	435030004R1
U007	R3406	C-CARBON R	RN72K1J-332JE	1	435033324R1
U007	R3407	C-CARBON R	RN72K1J-103JE	1	435031034R1
U007	R3408	C-CARBON R	RN72K1J-331JE	1	435033314R1
U007	R3409	C-CARBON R	RN72K1J-331JE	1	435033314R1
U007	R3412	C-CARBON R	RN72K1J-472JE	1	435034724R1
U007	R3414	C-CARBON R	RN72K1J-103JE	1	435031034R1
U007	R3415	C-CARBON R	RN72K1J-331JE	1	435033314R1
U007	R3416	C-CARBON R	RN72K1J-331JE	1	435033314R1
U007	R3417	C-CARBON R	RN72K1J-331JE	1	435033314R1
U007	R3418	C-CARBON R	RN72K1J-331JE	1	435033314R1
U007	R3419	C-CARBON R	RN72K1J-331JE	1	435033314R1
U007	R3421	C-CARBON R	RN72K1J-560JE	1	435035604R1
U007	R3423	C-CARBON R	RN72K1J-000JE	1	435030004R1
U007	R3424	C-CARBON R	RN72K1J-470JE	1	435034704R1
U007	R3425	C-CARBON R	RN72K1J-470JE	1	435034704R1
U007	R3429	C-R NET	RM7LJ470X04	1	43484747004R2
U007	R3430	C-R NET	RM7LJ470X04	1	43484747004R2
U007	R3434	C-CARBON R	RN72K1J-332JE	1	435033324R1
U007	R3435	C-CARBON R	RN72K1J-101JE	1	435031014R1
U007	R3436	C-CARBON R	RN72K1J-560JE	1	435035604R1
U007	R3437	C-CARBON R	RN72K1J-560JE	1	435035604R1
U007	R3438	C-CARBON R	RN72K1J-560JE	1	435035604R1
U007	R3439	C-CARBON R	RN72K1J-332JE	1	435033324R1



U007	R3440	C-CARBON R	RN72K1J-332JE	1	435033324R1
U007	R3441	C-R NET	RM7LJ470X04	1	43484747004R2
U007	R3442	C-CARBON R	RN72K1J-105JE	1	435031054R1
U007	R3443	C-CARBON R	RN72K1J-561JE	1	435035614R1
U007	R3444	C-CARBON R	RN72K1J-391JE	1	435033914R1
U007	R3445	C-R NET	RM7LJ470X04	1	43484747004R2
U007	R3447	C-CARBON R	RN72K1J-560JE	1	435035604R1
U007	R3448	C-CARBON R	RN72K1J-330JE	1	435033304R1
U007	R3450	C-CARBON R	RN72K1J-560JE	1	435035604R1
U007	R3452	C-CARBON R	RN72K1J-470JE	1	435034704R1
U007	R3453	C-CARBON R	RN72K1J-470JE	1	435034704R1
U007	R3454	C-CARBON R	RN72K1J-470JE	1	435034704R1
U007	R3455	C-CARBON R	RN72K1J-121JE	1	435031214R1
U007	R3456	C-CARBON R	RN72K1J-470JE	1	435034704R1
U007	R3457	C-CARBON R	RN72K1J-470JE	1	435034704R1
U007	R3458	C-CARBON R	RN72K1J-470JE	1	435034704R1
U007	R3459	C-CARBON R	RN72K1J-470JE	1	435034704R1
U007	R3460	C-CARBON R	RN72K1J-470JE	1	435034704R1
U007	R3461	C-CARBON R	RN72K1J-470JE	1	435034704R1
U007	R3462	C-CARBON R	RN72K1J-102JE	1	435031024R1
U007	R3464	C-CARBON R	RN72K1J-102JE	1	435031024R1
U007	R3465	C-CARBON R	RN72K1J-102JE	1	435031024R1
U007	R3466	C-CARBON R	RN72K1J-102JE	1	435031024R1
U007	R3468	C-CARBON R	RN72K1J-103JE	1	435031034R1
U007	R3469	C-CARBON R	RN72K1J-103JE	1	435031034R1
U007	R3470	C-CARBON R	RN72K1J-103JE	1	435031034R1
U007	R3473	C-CARBON R	RN72K1J-103JE	1	435031034R1
U007	R3474	C-CARBON R	RN72K1J-103JE	1	435031034R1
U007	R3480	C-CARBON R	RN72K1J-472JE	1	435034724R1
U007	R3481	C-CARBON R	RN72K1J-332JE	1	435033324R1
U007	R3484	C-CARBON R	RN72K1J-470JE	1	435034704R1
U007	R3485	C-CARBON R	RN72K1J-470JE	1	435034704R1
U007	R3486	C-CARBON R	RN72K1J-472JE	1	435034724R1
U007	R3487	C-CARBON R	RN72K1J-331JE	1	435033314R1
U007	R3488	C-CARBON R	RN72K1J-332JE	1	435033324R1
U007	R3489	C-CARBON R	RN72K1J-470JE	1	435034704R1
U007	R3491	C-CARBON R	RN72K1J-332JE	1	435033324R1
U007	R3492	C-CARBON R	RN72K1J-331JE	1	435033314R1
U007	R3494	C-R NET	RM7LJ470X04	1	43484747004R2

U007	R3495	C-R NET	RM7LJ470X04	1	43484747004R2
U007	R3496	C-R NET	RM7LJ470X04	1	43484747004R2
U007	R3497	C-R NET	RM7LJ470X04	1	43484747004R2
U007	R3498	C-CARBON R	RN72K1J-331JE	1	435033314R1
U007	R3500	C-CARBON R	RN72K1J-470JE	1	435034704R1
U007	R3501	C-CARBON R	RN72K1J-470JE	1	435034704R1
U007	R3502	C-CARBON R	RN72K1J-470JE	1	435034704R1
U007	R3503	C-CARBON R	RN72K1J-470JE	1	435034704R1
U007	R3504	C-CARBON R	RN72K1J-470JE	1	435034704R1
U007	R3505	C-CARBON R	RN72K1J-470JE	1	435034704R1
U007	R3506	C-CARBON R	RN72K1J-470JE	1	435034704R1
U007	R3508	C-CARBON R	RN72K1J-470JE	1	435034704R1
U007	R3510	C-CARBON R	RN72K1J-470JE	1	435034704R1
U007	R3512	C-CARBON R	RN72K1J-470JE	1	435034704R1
U007	R3513	C-CARBON R	RN72K1J-470JE	1	435034704R1
U007	R3515	C-CARBON R	RN72K1J-470JE	1	435034704R1
U007	R3516	C-CARBON R	RN72K1J-472JE	1	435034724R1
U007	R3670	C-CARBON R	RN72K1J-103JE	1	435031034R1
U007	R3671	C-CARBON R	RN72K1J-000JE	1	435030004R1
U007	R3673	C-CARBON R	RN72K1J-082JE	1	435030824R1
U007	R3674	C-CARBON R	RN72K1J-000JE	1	435030004R1
U007	R8001	C-CARBON R	RN72K1J-220JE	1	435032204R1
U007	R8005	C-CARBON R	RN72K1J-750JE	1	435037504R1
U007	R8008	C-CARBON R	RN72K1J-471JE	1	435034714R1
U007	R8009	C-CARBON R	RN72K1J-680JE	1	435036804R1
U007	R8010	C-CARBON R	RN72K1J-471JE	1	435034714R1
U007	R8011	C-CARBON R	RN72K1J-680JE	1	435036804R1
U007	R8013	C-CARBON R	RN72K1J-220JE	1	435032204R1
U007	R8014	C-CARBON R	RN72K1J-220JE	1	435032204R1
U007	R8017	C-CARBON R	RN72K1J-750JE	1	435037504R1
U007	R8018	C-CARBON R	RN72K1J-750JE	1	435037504R1
U007	R8020	C-CARBON R	RN72K1J-471JE	1	435034714R1
U007	R8021	C-CARBON R	RN72K1J-680JE	1	435036804R1
U007	R8022	C-CARBON R	RN72K1J-471JE	1	435034714R1
U007	R8023	C-CARBON R	RN72K1J-680JE	1	435036804R1
U007	R8027	C-CARBON R	RN72K1J-220JE	1	435032204R1
U007	R8031	C-CARBON R	RN72K1J-750JE	1	435037504R1
U007	R8032	C-CARBON R	RN72K1J-471JE	1	435034714R1
U007	R8033	C-CARBON R	RN72K1J-680JE	1	435036804R1

U007	R8034	C-CARBON R	RN72K1J-471JE	1	435034714R1
U007	R8035	C-CARBON R	RN72K1J-680JE	1	435036804R1
U007	R8038	C-CARBON R	RN72K1J-220JE	1	435032204R1
U007	R8039	C-CARBON R	RN72K1J-220JE	1	435032204R1
U007	R8042	C-CARBON R	RN72K1J-750JE	1	435037504R1
U007	R8043	C-CARBON R	RN72K1J-750JE	1	435037504R1
U007	R8044	C-CARBON R	RN72K1J-471JE	1	435034714R1
U007	R8045	C-CARBON R	RN72K1J-680JE	1	435036804R1
U007	R8046	C-CARBON R	RN72K1J-220JE	1	435032204R1
U007	R8047	C-CARBON R	RN72K1J-471JE	1	435034714R1
U007	R8048	C-CARBON R	RN72K1J-680JE	1	435036804R1
U007	R8049	C-CARBON R	RN72K1J-220JE	1	435032204R1
U007	R8050	C-CARBON R	RN72K1J-471JE	1	435034714R1
U007	R8051	C-CARBON R	RN72K1J-680JE	1	435036804R1
U007	R8052	C-CARBON R	RN72K1J-220JE	1	435032204R1
U007	R8053	C-CARBON R	RN72K1J-471JE	1	435034714R1
U007	R8054	C-CARBON R	RN72K1J-680JE	1	435036804R1
U007	R8055	C-CARBON R	RN72K1J-750JE	1	435037504R1
U007	R8056	C-CARBON R	RN72K1J-750JE	1	435037504R1
U007	R8057	C-CARBON R	RN72K1J-750JE	1	435037504R1
U007	R8058	C-CARBON R	RN72K1J-101JE	1	435031014R1
U007	R8059	C-CARBON R	RN72K1J-101JE	1	435031014R1
U007	R8060	C-CARBON R	RN72K1J-103JE	1	435031034R1
U007	R8061	C-CARBON R	RN72K1J-103JE	1	435031034R1
U007	R8062	C-CARBON R	RN72K1J-103JE	1	435031034R1
U007	R8063	C-CARBON R	RN72K1J-103JE	1	435031034R1
U007	R8065	C-CARBON R	RN72K1J-330JE	1	435033304R1
U007	R8066	C-CARBON R	RN72K1J-330JE	1	435033304R1
U007	R8075	C-CARBON R	RN72K1J-750JE	1	435037504R1
U007	R8076	C-CARBON R	RN72K1J-750JE	1	435037504R1
U007	R8077	C-CARBON R	RN72K1J-750JE	1	435037504R1
U007	R8078	C-CARBON R	RN72K1J-750JE	1	435037504R1
U007	R8079	C-CARBON R	RN72K1J-750JE	1	435037504R1
U007	R8080	C-CARBON R	RN72K1J-750JE	1	435037504R1
U007	R8160	C-CARBON R	RN72K1J-472JE	1	435034724R1
U007	R8161	C-CARBON R	RN72K1J-104JE	1	435031044R1
U007	R8162	C-CARBON R	RN72K1J-104JE	1	435031044R1
U007	R8163	C-CARBON R	RN72K1J-104JE	1	435031044R1
U007	R8164	C-CARBON R	RN72K1J-104JE	1	435031044R1

U007	R8165	C-CARBON R	RN72K1J-104JE	1	435031044R1
U007	R8166	C-CARBON R	RN72K1J-000JE	1	435030004R1
U007	R8204	C-CARBON R	RN72K1J-000JE	1	435030004R1
U007	R8205	C-CARBON R	RN72K1J-000JE	1	435030004R1
U007	R8206	C-CARBON R	RN72K1J-103JE	1	435031034R1
U007	R8207	C-CARBON R	RN72K1J-271JE	1	435032714R1
U007	R8208	C-CARBON R	RN72K1J-103JE	1	435031034R1
U007	R8210	C-CARBON R	RN72K1J-560JE	1	435035604R1
U007	R8211	C-R NET	RM7LJ220X04	1	43484722004R2
U007	R8212	C-CARBON R	RN72K1J-103JE	1	435031034R1
U007	R8213	C-CARBON R	RN72K1J-103JE	1	435031034R1
U007	R8214	C-CARBON R	RN72K1J-103JE	1	435031034R1
U007	R8215	C-CARBON R	RN72K1J-103JE	1	435031034R1
U007	R8216	C-CARBON R	RN72K1J-103JE	1	435031034R1
U007	R8217	C-CARBON R	RN72K1J-103JE	1	435031034R1
U007	R8218	C-CARBON R	RN72K1J-101JE	1	435031014R1
U007	R8219	C-CARBON R	RN72K1J-101JE	1	435031014R1
U007	R8220	C-CARBON R	RN72K1J-101JE	1	435031014R1
U007	R8221	C-CARBON R	RN72K1J-101JE	1	435031014R1
U007	R8222	C-CARBON R	RN72K1J-272JE	1	435032724R1
U007	R8223	C-CARBON R	RN72K1J-272JE	1	435032724R1
U007	R8224	C-CARBON R	RN72K1J-103JE	1	435031034R1
U007	R8225	C-R NET	RM7LJ220X04	1	43484722004R2
U007	R8226	C-R NET	RM7LJ220X04	1	43484722004R2
U007	R8228	C-CARBON R	RN72K1J-103JE	1	435031034R1
U007	R8229	C-CARBON R	RN72K1J-103JE	1	435031034R1
U007	R8230	C-CARBON R	RN72K1J-103JE	1	435031034R1
U007	R8231	C-CARBON R	RN72K1J-103JE	1	435031034R1
U007	R8232	C-CARBON R	RN72K1J-103JE	1	435031034R1
U007	R8233	C-CARBON R	RN72K1J-102JE	1	435031024R1
U007	R8234	C-CARBON R	RN72K1J-103JE	1	435031034R1
U007	R8236	C-CARBON R	RN72K1J-103JE	1	435031034R1
U007	R8245	C-CARBON R	RN72K1J-222JE	1	435032224R1
U007	R8246	C-CARBON R	RN72K1J-222JE	1	435032224R1
U007	R8251	C-CARBON R	RN72K1J-221JE	1	435032214R1
U007	R8252	C-CARBON R	RN72K1J-222JE	1	435032224R1
U007	R8253	C-CARBON R	RN72K1J-221JE	1	435032214R1
U007	R8254	C-CARBON R	RN72K1J-222JE	1	435032224R1
U007	R8255	C-R NET	RM7LJ220X04	1	43484722004R2

U007	R8256	C-R NET	RM7LJ220X04	1	43484722004R2
U007	R8257	C-R NET	RM7LJ220X04	1	43484722004R2
U007	R8258	C-R NET	RM7LJ220X04	1	43484722004R2
U007	R8259	C-R NET	RM7LJ220X04	1	43484722004R2
U007	R8260	C-R NET	RM7LJ220X04	1	43484722004R2
U007	R8261	C-R NET	RM7LJ220X04	1	43484722004R2
U007	R8262	C-R NET	RM7LJ220X04	1	43484722004R2
U007	R8263	C-R NET	RM7LJ220X04	1	43484722004R2
U007	R8264	C-R NET	RM7LJ220X04	1	43484722004R2
U007	R8265	C-R NET	RM7LJ220X04	1	43484722004R2
U007	R8266	C-R NET	RM7LJ220X04	1	43484722004R2
U007	R8267	C-R NET	RM7LJ220X04	1	43484722004R2
U007	R8268	C-R NET	RM7LJ220X04	1	43484722004R2
U007	R8269	C-R NET	RM7LJ220X04	1	43484722004R2
U007	R8270	C-R NET	RM7LJ220X04	1	43484722004R2
U007	R8271	C-R NET	RM7LJ220X04	1	43484722004R2
U007	R8272	C-CARBON R	RN72K1J-103JE	1	435031034R1
U007	R8273	C-CARBON R	RN72K1J-000JE	1	435030004R1
U007	R8274	C-CARBON R	RN72K1J-272FE	1	435032722R1
U007	R8275	C-CARBON R	RN72K1J-331FE	1	435033312R1
U007	R8276	C-CARBON R	RN72K1J-220JE	1	435032204R1
U007	R8277	C-CARBON R	RN72K1J-220JE	1	435032204R1
U007	R8281	C-R NET	RM7LJ220X04	1	43484722004R2
U007	R8282	C-R NET	RM7LJ220X04	1	43484722004R2
U007	R8283	C-CARBON R	RN72K1J-220JE	1	435032204R1
U007	R8284	C-R NET	RM7LJ220X04	1	43484722004R2
U007	R8285	C-CARBON R	RN72K1J-220JE	1	435032204R1
U007	R8286	C-CARBON R	RN72K1J-220JE	1	435032204R1
U007	R8287	C-R NET	RM7LJ220X04	1	43484722004R2
U007	R8288	C-R NET	RM7LJ220X04	1	43484722004R2
U007	R8289	C-R NET	RM7LJ220X04	1	43484722004R2
U007	R8290	C-R NET	RM7LJ220X04	1	43484722004R2
U007	R8291	C-R NET	RM7LJ220X04	1	43484722004R2
U007	R8330	C-CARBON R	RN72K1J-000JE	1	435030004R1
U007	R8331	C-CARBON R	RN72K1J-000JE	1	435030004R1
U007	R8333	C-CARBON R	RN72K1J-103JE	1	435031034R1
U007	R8334	C-CARBON R	RN72K1J-182JE	1	435031824R1
U007	R8335	C-CARBON R	RN72K1J-182JE	1	435031824R1
U007	R8336	C-CARBON R	RN72K1J-472JE	1	435034724R1

U007	R8337	C-CARBON R	RN72K1J-104JE	1	435031044R1
U007	R8338	C-CARBON R	RN72K1J-473JE	1	435034734R1
U007	R8380	C-CARBON R	RN72K1J-000JE	1	435030004R1
U007	R8381	C-CARBON R	RN72K1J-000JE	1	435030004R1
U007	R8383	C-CARBON R	RN72K1J-103JE	1	435031034R1
U007	R8384	C-CARBON R	RN72K1J-182JE	1	435031824R1
U007	R8385	C-CARBON R	RN72K1J-182JE	1	435031824R1
U007	R8386	C-CARBON R	RN72K1J-472JE	1	435034724R1
U007	R8387	C-CARBON R	RN72K1J-104JE	1	435031044R1
U007	R8388	C-CARBON R	RN72K1J-473JE	1	435034734R1
U007	R8401	C-CARBON R	RN72K1J-220JE	1	435032204R1
U007	R8402	C-R NET	RM7LJ220X04	1	43484722004R2
U007	R8403	C-CARBON R	RN72K1J-220JE	1	435032204R1
U007	R8404	C-CARBON R	RN72K1J-220JE	1	435032204R1
U007	R8405	C-CARBON R	RN72K1J-220JE	1	435032204R1
U007	R8408	C-CARBON R	RN72K1J-220JE	1	435032204R1
U007	R8409	C-CARBON R	RN72K1J-101JE	1	435031014R1
U007	R8410	C-CARBON R	RN72K1J-000JE	1	435030004R1
U007	R8411	C-CARBON R	RN72K1J-472JE	1	435034724R1
U007	R8412	C-CARBON R	RN72K1J-562JE	1	435035624R1
U007	R8413	C-CARBON R	RN72K1J-000JE	1	435030004R1
U007	R8416	C-R NET	RM7LJ220X04	1	43484722004R2
U007	R8417	C-R NET	RM7LJ220X04	1	43484722004R2
U007	R8418	C-R NET	RM7LJ220X04	1	43484722004R2
U007	R8419	C-R NET	RM7LJ220X04	1	43484722004R2
U007	R8420	C-R NET	RM7LJ220X04	1	43484722004R2
U007	R8421	C-R NET	RM7LJ220X04	1	43484722004R2
U007	R8422	C-R NET	RM7LJ220X04	1	43484722004R2
U007	R8423	C-R NET	RM7LJ220X04	1	43484722004R2
U007	R8424	C-R NET	RM7LJ220X04	1	43484722004R2
U007	R8425	C-CARBON R	RN72K1J-220JE	1	435032204R1
U007	R8426	C-R NET	RM7LJ220X04	1	43484722004R2
U007	R8427	C-CARBON R	RN72K1J-100JE	1	435031004R1
U007	R8428	C-CARBON R	RN72K1J-100JE	1	435031004R1
U007	R8429	C-CARBON R	RN72K1J-101JE	1	435031014R1
U007	R8430	C-CARBON R	RN72K1J-101JE	1	435031014R1
U007	R8431	C-CARBON R	RN72K1J-101JE	1	435031014R1
U007	R8432	C-CARBON R	RN72K1J-101JE	1	435031014R1
U007	R8433	C-CARBON R	RN72K1J-100JE	1	435031004R1

U007	R8434	C-CARBON R	RN72K1J-103JE	1	435031034R1
U007	R8435	C-CARBON R	RN72K1J-823JE	1	435038234R1
U007	R8436	C-CARBON R	RN72K1J-330JE	1	435033304R1
U007	R8442	C-CARBON R	RN72K1J-000JE	1	435030004R1
U007	R8451	C-CARBON R	RN72K1J-220JE	1	435032204R1
U007	R8452	C-R NET	RM7LJ220X04	1	43484722004R2
U007	R8453	C-CARBON R	RN72K1J-220JE	1	435032204R1
U007	R8454	C-CARBON R	RN72K1J-220JE	1	435032204R1
U007	R8455	C-CARBON R	RN72K1J-220JE	1	435032204R1
U007	R8458	C-CARBON R	RN72K1J-220JE	1	435032204R1
U007	R8459	C-CARBON R	RN72K1J-101JE	1	435031014R1
U007	R8460	C-CARBON R	RN72K1J-000JE	1	435030004R1
U007	R8461	C-CARBON R	RN72K1J-472JE	1	435034724R1
U007	R8462	C-CARBON R	RN72K1J-562JE	1	435035624R1
U007	R8463	C-CARBON R	RN72K1J-000JE	1	435030004R1
U007	R8466	C-R NET	RM7LJ220X04	1	43484722004R2
U007	R8467	C-R NET	RM7LJ220X04	1	43484722004R2
U007	R8468	C-R NET	RM7LJ220X04	1	43484722004R2
U007	R8469	C-R NET	RM7LJ220X04	1	43484722004R2
U007	R8470	C-R NET	RM7LJ220X04	1	43484722004R2
U007	R8471	C-R NET	RM7LJ220X04	1	43484722004R2
U007	R8472	C-R NET	RM7LJ220X04	1	43484722004R2
U007	R8473	C-R NET	RM7LJ220X04	1	43484722004R2
U007	R8474	C-R NET	RM7LJ220X04	1	43484722004R2
U007	R8475	C-CARBON R	RN72K1J-220JE	1	435032204R1
U007	R8476	C-R NET	RM7LJ220X04	1	43484722004R2
U007	R8492	C-CARBON R	RN72K1J-000JE	1	435030004R1
U007	R8501	C-CARBON R	RN72K1J-330JE	1	435033304R1
U007	R8502	C-CARBON R	RN72K1J-330JE	1	435033304R1
U007	R8503	C-CARBON R	RN72K1J-330JE	1	435033304R1
U007	R8504	C-R NET	RM7LJ330X04	1	43484733004R2
U007	R8505	C-R NET	RM7LJ330X04	1	43484733004R2
U007	R8506	C-CARBON R	RN72K1J-120JE	1	435031204R1
U007	R8507	C-R NET	RM7LJ330X04	1	43484733004R2
U007	R8508	C-R NET	RM7LJ330X04	1	43484733004R2
U007	R8509	C-R NET	RM7LJ330X04	1	43484733004R2
U007	R8510	C-R NET	RM7LJ330X04	1	43484733004R2
U007	R8511	C-R NET	RM7LJ330X04	1	43484733004R2
U007	R8512	C-R NET	RM7LJ330X04	1	43484733004R2

U007	R8513	C-R NET	RM7LJ330X04	1	43484733004R2
U007	R8516	C-CARBON R	RN72K1J-101JE	1	435031014R1
U007	R8517	C-CARBON R	RN72K1J-101JE	1	435031014R1
U007	R8518	C-CARBON R	RN72K1J-472JE	1	435034724R1
U007	R8519	C-CARBON R	RN72K1J-220JE	1	435032204R1
U007	R8520	C-CARBON R	RN72K1J-330JE	1	435033304R1
U007	R8521	C-CARBON R	RN72K1J-330JE	1	435033304R1
U007	R8522	C-R NET	RM7LJ330X04	1	43484733004R2
U007	R8523	C-CARBON R	RN72K1J-330JE	1	435033304R1
U007	R8524	C-CARBON R	RN72K1J-330JE	1	435033304R1
U007	R8525	C-CARBON R	RN72K1J-472JE	1	435034724R1
U007	R8526	C-CARBON R	RN72K1J-472JE	1	435034724R1
U007	R8527	C-CARBON R	RN72K1J-562JE	1	435035624R1
U007	R8528	C-CARBON R	RN72K1J-562JE	1	435035624R1
U007	R8530	C-CARBON R	RN72K1J-105JE	1	435031054R1
U007	R8533	C-CARBON R	RN72K1J-000JE	1	435030004R1
U007	R8534	C-CARBON R	RN72K1J-330JE	1	435033304R1
U007	R8607	C-CARBON R	RN72K1J-473JE	1	435034734R1
U007	R8608	C-CARBON R	RN72K1J-473JE	1	435034734R1
U007	R8609	C-CARBON R	RN72K1J-000JE	1	435030004R1
U007	R8610	C-CARBON R	RN72K1J-000JE	1	435030004R1
U007	R8617	C-CARBON R	RN72K1J-473JE	1	435034734R1
U007	R8618	C-CARBON R	RN72K1J-473JE	1	435034734R1
U007	R8619	C-CARBON R	RN72K1J-000JE	1	435030004R1
U007	R8620	C-CARBON R	RN72K1J-000JE	1	435030004R1
U007	R8627	C-CARBON R	RN72K1J-473JE	1	435034734R1
U007	R8628	C-CARBON R	RN72K1J-473JE	1	435034734R1
U007	R8629	C-CARBON R	RN72K1J-000JE	1	435030004R1
U007	R8630	C-CARBON R	RN72K1J-000JE	1	435030004R1
U007	R8637	C-CARBON R	RN72K1J-473JE	1	435034734R1
U007	R8638	C-CARBON R	RN72K1J-473JE	1	435034734R1
U007	R8639	C-CARBON R	RN72K1J-000JE	1	435030004R1
U007	R8640	C-CARBON R	RN72K1J-000JE	1	435030004R1
U007	R8641	C-CARBON R	RN72K1J-000JE	1	435030004R1
U007	R8642	C-CARBON R	RN72K1J-000JE	1	435030004R1
U007	R8643	C-CARBON R	RN72K1J-472JE	1	435034724R1
U007	R8644	C-CARBON R	RN72K1J-472JE	1	435034724R1
U007	R8647	C-CARBON R	RN72K1J-473JE	1	435034734R1
U007	R8648	C-CARBON R	RN72K1J-473JE	1	435034734R1



U007	R8649	C-CARBON R	RN72K1J-000JE	1	435030004R1	
U007	R8650	C-CARBON R	RN72K1J-000JE	1	435030004R1	
U007	R8657	C-CARBON R	RN72K1J-473JE	1	435034734R1	
U007	R8658	C-CARBON R	RN72K1J-473JE	1	435034734R1	
U007	R8659	C-CARBON R	RN72K1J-000JE	1	435030004R1	
U007	R8660	C-CARBON R	RN72K1J-000JE	1	435030004R1	
U007	R8701	C-CARBON R	RN72K1J-103JE	1	435031034R1	
U007	R8702	C-CARBON R	RN72K1J-103JE	1	435031034R1	
U007	R8703	C-CARBON R	RN72K1J-103JE	1	435031034R1	
U007	R8704	C-CARBON R	RN72K1J-103JE	1	435031034R1	
U007	R8705	C-CARBON R	RN72K1J-220JE	1	435032204R1	
U007	R8706	C-CARBON R	RN72K1J-220JE	1	435032204R1	
U007	R8707	C-CARBON R	RN72K1J-220JE	1	435032204R1	
U007	R8708	C-CARBON R	RN72K1J-103JE	1	435031034R1	
U007	R8709	C-CARBON R	RN72K1J-103JE	1	435031034R1	
U007	R8710	C-CARBON R	RN72K1J-103JE	1	435031034R1	
U007	R8711	C-CARBON R	RN72K1J-222JE	1	435032224R1	
U007	R8712	C-R NET	RM7LJ222X04	1	43484722204R2	
U007	R8713	C-R NET	RM7LJ222X04	1	43484722204R2	
U007	R8714	C-R NET	RM7LJ222X04	1	43484722204R2	
U007	R8718	C-CARBON R	RN72K1J-220JE	1	435032204R1	
U007	R8719	C-CARBON R	RN72K1J-103JE	1	435031034R1	
U007	R8720	C-CARBON R	RN72K1J-220JE	1	435032204R1	
U007	R8721	C-CARBON R	RN72K1J-220JE	1	435032204R1	
U007	R8722	C-CARBON R	RN72K1J-103JE	1	435031034R1	
U007	R8723	C-CARBON R	RN72K1J-103JE	1	435031034R1	
U007	R8724	C-R NET	RM7LJ103X04	1	43484710304R2	
U007	R8726	C-CARBON R	RN72K1J-103JE	1	435031034R1	
U007	R8730	C-CARBON R	RN72K1J-222JE	1	435032224R1	
U007	R8731	C-CARBON R	RN72K1J-222JE	1	435032224R1	
U007	R8733	C-CARBON R	RN72K1J-103JE	1	435031034R1	
U007	R8738	C-CARBON R	RN72K1J-103JE	1	435031034R1	
U007	R8742	C-CARBON R	RN72K1J-103JE	1	435031034R1	
U007	R8743	C-CARBON R	RN72K1J-103JE	1	435031034R1	
U007	R8745	C-CARBON R	RN72K1J-103JE	1	435031034R1	
U007	R8746	C-CARBON R	RN72K1J-103JE	1	435031034R1	<B MDC, MDF>
U007	R8747	C-CARBON R	RN72K1J-103JE	1	435031034R1	
U007	R8749	C-CARBON R	RN72K1J-220JE	1	435032204R1	
U007	R8750	C-CARBON R	RN72K1J-000JE	1	435030004R1	

U007	R8751	C-CARBON R	RN72K1J-000JE	1	435030004R1	
U007	R8752	C-CARBON R	RN72K1J-000JE	1	435030004R1	
U007	R8755	C-CARBON R	RN72K1J-101JE	1	435031014R1	
U007	R8756	C-CARBON R	RN72K1J-101JE	1	435031014R1	
U007	R8757	C-CARBON R	RN72K1J-103JE	1	435031034R1	
U007	R8758	C-CARBON R	RN72K1J-103JE	1	435031034R1	
U007	R8760	C-CARBON R	RN72K1J-103JE	1	435031034R1	
U007	R8803	C-CARBON R	RN72K1J-000JE	1	435030004R1	
U007	R8804	C-CARBON R	RN72K1J-103JE	1	435031034R1	
U007	R8805	C-CARBON R	RN72K1J-000JE	1	435030004R1	
U007	R8806	C-R NET	RM7LJ220X04	1	43484722004R2	
U007	R8807	C-R NET	RM7LJ220X04	1	43484722004R2	
U007	R8808	C-R NET	RM7LJ220X04	1	43484722004R2	
U007	R8809	C-R NET	RM7LJ220X04	1	43484722004R2	
U007	R8810	C-R NET	RM7LJ220X04	1	43484722004R2	
U007	R8811	C-R NET	RM7LJ220X04	1	43484722004R2	
U007	R8851	C-R NET	RM7LJ220X04	1	43484722004R2	<B MDC, MDF>
U007	R8852	C-R NET	RM7LJ220X04	1	43484722004R2	<B MDC, MDF>
U007	R8853	C-R NET	RM7LJ220X04	1	43484722004R2	<B MDC, MDF>
U007	R8854	C-R NET	RM7LJ220X04	1	43484722004R2	<B MDC, MDF>
U007	R8855	C-R NET	RM7LJ220X04	1	43484722004R2	<B MDC, MDF>
U007	R8856	C-CARBON R	RN72K1J-103JE	1	435031034R1	<B MDC, MDF>
U007	R8858	C-CARBON R	RN72K1J-220JE	1	435032204R1	<B MDC, MDF>
U007	R8859	C-CARBON R	RN72K1J-220JE	1	435032204R1	<B MDC, MDF>
U007	R8860	C-R NET	RM7LJ220X04	1	43484722004R2	<B MDC, MDF>
U007	R8861	C-R NET	RM7LJ220X04	1	43484722004R2	<B MDC, MDF>
U007	R8862	C-R NET	RM7LJ220X04	1	43484722004R2	<B MDC, MDF>
U007	R8863	C-CARBON R	RN72K1J-220JE	1	435032204R1	<B MDC, MDF>
U007	R8864	C-CARBON R	RN72K1J-181JE	1	435031814R1	<B MDC, MDF>
U007	R8865	C-CARBON R	RN72K1J-332JE	1	435033324R1	<B MDC, MDF>
U007	R8866	C-CARBON R	RN72K1J-181JE	1	435031814R1	<B MDC, MDF>
U007	R8867	C-CARBON R	RN72K1J-332JE	1	435033324R1	<B MDC, MDF>
U007	R8868	C-CARBON R	RN72K1J-332JE	1	435033324R1	<B MDC, MDF>
U007	R8869	C-CARBON R	RN72K1J-821JE	1	435038214R1	<B MDC, MDF>
U007	R8870	C-CARBON R	RN72K1J-181JE	1	435031814R1	<B MDC, MDF>
U007	R8871	C-CARBON R	RN72K1J-331JE	1	435033314R1	<B MDC, MDF>
U007	R8872	C-CARBON R	RN72K1J-473JE	1	435034734R1	<B MDC, MDF>
U007	R8877	C-CARBON R	RN72K1J-330JE	1	435033304R1	<B MDC, MDF>
U007	R8901	C-CARBON R	RN72K1J-102JE	1	435031024R1	<B MDC, MDF>

U007	R8902	C-CARBON R	RN72K1J-102JE	1	435031024R1	<B MDC, MDF>
U007	R8903	C-CARBON R	RN72K1J-102JE	1	435031024R1	<B MDC, MDF>
U007	R8904	C-CARBON R	RN72K1J-332JE	1	435033324R1	<B MDC, MDF>
U007	R8905	C-CARBON R	RN72K1J-332JE	1	435033324R1	<B MDC, MDF>
U007	R8906	C-CARBON R	RN72K1J-332JE	1	435033324R1	<B MDC, MDF>
U007	R8930	C-CARBON R	RN72K2E-470JE	1	435224704R1	
U007	R8931	C-CARBON R	RN72K2E-470JE	1	435224704R1	
U007	R8932	C-CARBON R	RN72K2E-470JE	1	435224704R1	
U007	R8933	C-CARBON R	RN72K1J-393JE	1	435033934R1	
U007	R8934	C-CARBON R	RN72K1J-473JE	1	435034734R1	
U007	R8935	C-CARBON R	RN72K1J-152JE	1	435031524R1	
U007	R8936	C-CARBON R	RN72K1J-563JE	1	435035634R1	
U007	R8937	C-CARBON R	RN72K1J-473JE	1	435034734R1	
U007	R8941	C-CARBON R	RN72K1J-683JE	1	435036834R1	
U007	R8942	C-CARBON R	RN72K1J-472JE	1	435034724R1	
U007	R8943	C-CARBON R	RN72K1J-103JE	1	435031034R1	
U007	R8951	C-CARBON R	RN72K1J-103JE	1	435031034R1	
U007	R8952	C-CARBON R	RN72K1J-682JE	1	435036824R1	
U007	R8954	C-CARBON R	RN72K1J-822JE	1	435038224R1	
U007	R8955	C-CARBON R	RN72K1J-563FE	1	435035632R1	
U007	R8956	C-CARBON R	RN72K1J-274FE	1	435032742R1	
U007	R8957	C-CARBON R	RN72K1J-103FE	1	435031032R1	
U007	R8961	C-CARBON R	RN72K1J-103JE	1	435031034R1	
U007	R8962	C-CARBON R	RN72K1J-822JE	1	435038224R1	
U007	R8964	C-CARBON R	RN72K1J-562JE	1	435035624R1	
U007	R8965	C-CARBON R	RN72K1J-273FE	1	435032732R1	
U007	R8966	C-CARBON R	RN72K1J-824FE	1	435038242R1	
U007	R8967	C-CARBON R	RN72K1J-103FE	1	435031032R1	
U007	R8968	C-CARBON R	RN72K1J-472FE	1	435034722R1	
U007	R8971	C-CARBON R	RN72K1J-103JE	1	435031034R1	
U007	R8972	C-CARBON R	RN72K1J-562JE	1	435035624R1	
U007	R8974	C-CARBON R	RN72K1J-182JE	1	435031824R1	
U007	R8975	C-CARBON R	RN72K1J-392FE	1	435033922R1	
U007	R8976	C-CARBON R	RN72K1J-563FE	1	435035632R1	
U007	R8977	C-CARBON R	RN72K1J-103FE	1	435031032R1	
U007	R8981	C-CARBON R	RN72K1J-103JE	1	435031034R1	
U007	R8982	C-CARBON R	RN72K1J-562JE	1	435035624R1	
U007	R8984	C-CARBON R	RN72K1J-182JE	1	435031824R1	
U007	R8985	C-CARBON R	RN72K1J-222FE	1	435032222R1	

U007	R8986	C-CARBON R	RN72K1J-183FE	1	435031832R1	
U007	R8987	C-CARBON R	RN72K1J-103FE	1	435031032R1	
U007	R8988	C-CARBON R	RN72K1J-103JE	1	435031034R1	
U007	R8989	C-CARBON R	RN72K1J-103JE	1	435031034R1	
U007	R8990	C-CARBON R	RN72K1J-103JE	1	435031034R1	
U007	<b>[SW TRM]</b>					
U007	JL2100B	SOCKET	NSCT-5P97	1	25050269	
U007	JL4518B	WIRE TRAP	NPLG-5P588	1	25055626	
U007	P2101B	SOCKET	NSCT-31P2124	1	25052227	<B MDC, MDF>
U007	P3001	SOCKET(B to B)	IMSA-9850S-20Y900	1	25052813R2	
U007	P3101A	PLUG	NPLG-5P918	1	25055965R2	
U007	P3102A	SOCKET	NSCT-9P2472	1	25052575R2	
U007	P3104	SOCKET	EJFR0002	1	25056668	
U007	P3104 or	SOCKET	SI-60073-F	(1)	25053307	
U007	P3401	SOCKET(B to B)	IMSA-9850S-16Y900	1	25052811R2	
U007	P3605A	PLUG	IMSA-9142B-18A	1	25056599	
U007	P3607A	PLUG	IMSA-9142B-16A	1	25056598	
U007	P3608A	PLUG	IMSA-9142B-18A	1	25056599	
U007	P3610	SOCKET	NSCT-8P2471	1	25052574R2	
U007	P8002B	SOCKET	NSCT-11P2474	1	25052577R2	
U007	P8011	SOCKET	IMSA-9618S-04A	1	25053329R2	
U007	P8011 or	SOCKET	04FMN-SMT-A-TF	(1)	25052821R2	
U007	P8100	TRM-423(SCREW)	NEJITANSI ST3	1	25060495	
U007	P8206	SOCKET	NSCT-8P2471	1	25052574R2	
U007	P8302	SOCKET	YKF45-7037V	1	25053253R3	
U007	P8302 or	SOCKET	HDMI(47266-4101)	(1)	25053389R3	
U007	P8352	SOCKET	YKF45-7037V	1	25053253R3	
U007	P8352 or	SOCKET	HDMI(47266-4101)	(1)	25053389R3	
U007	P8601	SOCKET	YKF45-7037V	1	25053253R3	
U007	P8601 or	SOCKET	HDMI(47266-4101)	(1)	25053389R3	
U007	P8611	SOCKET	YKF45-7037V	1	25053253R3	
U007	P8611 or	SOCKET	HDMI(47266-4101)	(1)	25053389R3	
U007	P8621	SOCKET	YKF45-7037V	1	25053253R3	
U007	P8621 or	SOCKET	HDMI(47266-4101)	(1)	25053389R3	
U007	P8631	SOCKET	YKF45-7037V	1	25053253R3	
U007	P8631 or	SOCKET	HDMI(47266-4101)	(1)	25053389R3	
U007	P8641B	SOCKET	FX16-31S-0.5SH	1	25053365R2	
U007	P8642	SOCKET	YKF45-7037V	1	25053253R3	
U007	P8642 or	SOCKET	HDMI(47266-4101)	(1)	25053389R3	

U007	P8651	SOCKET	YKF45-7037V	1	25053253R3
U007	P8651 or	SOCKET	HDMI(47266-4101)	(1)	25053389R3
U007	P8702	SOCKET	NSCT-9P2472	1	25052575R2

U008 **U0081** FRONT HDMI PC BOARD BAHDM-0291-1B

CIRCUIT NO	PART NAME	DESCRIPTION	Q'TY	PART NO. (SN)	REMARKS
<b>[SEMI CONDUCTOR]</b>					
U008	D3300	C-DIODE	1	223283R2	
U008	D3300 or	C-DIODE	(1)	223234R2	
U008	D3301	C-DIODE	1	223283R2	
U008	D3301 or	C-DIODE	(1)	223234R2	
U008	D8861	C-DIODE	1	223283R2	
U008	D8861 or	C-DIODE	(1)	223234R2	
U008	D8862	C-DIODE	1	223283R2	
U008	D8862 or	C-DIODE	(1)	223234R2	
U008	Q3300	IC	1	22242589R2	
U008	Q8861	IC	1	22242586R2	
<b>[TRANS COIL]</b>					
U008	L8861	CORE	1	2350005R1	
<b>[CAPACITOR]</b>					
U008	C3302	C-FILM C	1	373041044R2	
U008	C3303	C-FILM C	1	373041044R2	
U008	C3304	C-CERA C	1	332181050R1	
U008	C8861	C-FILM C	1	373041044R2	
U008	C8863	C-CERA C	1	332181050R1	
U008	C8864	C-CERA C	1	332101025R1	
U008	C8869	C-CERA C	1	332181050R1	
U008	C8870	C-CERA C	1	332101025R1	
U008	C8871	C-CERA C	1	332181050R1	
U008	C8872	C-CERA C	1	332101025R1	
U008	C8873	C-CERA C	1	332181050R1	
U008	C8874	C-CERA C	1	332101025R1	
U008	C8875	C-CERA C	1	332181050R1	
U008	C8876	C-CERA C	1	332101025R1	
U008	C8877	C-CERA C	1	332091065R2	
U008	C8880	C-CERA C	1	332091065R2	
<b>[RESISTOR]</b>					
U008	R3331	C-CARBON R	1	435030004R1	

U008	R8867	C-CARBON R	RN72K1J-473JE	1	435034734R1
U008	R8868	C-CARBON R	RN72K1J-473JE	1	435034734R1
U008	R8869	C-CARBON R	RN72K1J-000JE	1	435030004R1
U008	R8870	C-CARBON R	RN72K1J-000JE	1	435030004R1
U008	R8872	C-CARBON R	RN72K1J-103JE	1	435031034R1
U008	R8873	C-CARBON R	RN72K1J-472JE	1	435034724R1
U008	R8874	C-CARBON R	RN72K1J-103JE	1	435031034R1
U008	R8875	C-CARBON R	RN72K1J-103JE	1	435031034R1
U008	R8876	C-CARBON R	RN72K1J-103JE	1	435031034R1
U008	R8880	C-CARBON R	RN72K1J-000JE	1	435030004R1
U008	R8881	C-CARBON R	RN72K1J-000JE	1	435030004R1
U008	[SW TRM]				
U008	E8861	TRM	NTM-1P233(M1969)	1	25060302
U008	P3101C	PLUG	NPLG-5P918	1	25055965R2
U008	P3305	SOCKET	YKF45-0029N	1	25053242
U008	P8641D	SOCKET	FX16-31S-0.5SV	1	25053354R2
U008	P8861	SOCKET	YKF45-7037V	1	25053253R3

TX-NR808

## PACKING PROCEDURES PARTS LIST

REF. NO.	PART NAME	DESCRIPTION	Q'TY	PART NO. (SN)	REMARKS
PV	[PACKING]				
EV	A521	INST SHEET	txnr807 door	1 29355770	<B / S>
EV	A523	CUSHION	EPE t2.5x40x10	2 28141819	<B / S>
EV	A525	TAPE	FIXLON #817 W12	1 29110207	<B / S>
EV	A525 or	TAPE	SLIONTEC 9514	(1) 29110201	<B / S>
PV	A721	LABEL	(WIN7)	1 29391024	<B / S>
PV	A723	LABEL	(UK-CR)	1 29364600	<B MMB>
PV	A753	PAD	AS	1 29092514	<B / S>
PV	A757	SHEET	(ACC)	1 29096104	<B / S>
PV	A783	SHEET	T0.515 x 1300 x 900	1 29096066	<B / S>
PV	A788	SHEET	T0.5 x 600 x 500	1 29096097	<B / S>
PV	A789	TAPE	(SEROHAN)NITTO NO.29	1 29110149	<B / S>
PV	A790	TAPE	FIXLON #817 W12	1 29110207	<B / S>
PV	A793	PP TAPE	W50 SBT-70	1 29110200	<B / S>
PV	A795	STAPLE	FUKAN-BARI(1000KO)	4 282321	<B / S>
PV	A801	CARTON	TX-NR808MDC	1 29055130B	N <B MDC, MDF>
PV	A801	CARTON	TX-NR808	1 29055131B	N <B MMA, MMB, MMP, MMQ, MMR / S MMP>

PV	A809	LABEL	(CHINA)	1	29390952	<B MMR>
PV	A810	LABEL	(CARTON)	1	29390944	<B MMR>
PV	A811A	UPC LABEL	NR808(B)MDC	{ 1}	29391209	N <B MDC>
PV	A811A	EAN LABEL	NR808(B)MDF	{ 1}	29391210	N <B MDF>
PV	A811A	EAN LABEL	NR808(B)MMP	{ 1}	29391211	N <B MMP>
PV	A811A	EAN LABEL	NR808(S)MMP	{ 1}	29391212	N <S MMP>
PV	A811A	EAN LABEL	NR808(B)MMA	{ 1}	29391213	N <B MMA>
PV	A811A	EAN LABEL	NR808(B)MMB	{ 1}	29391214	N <B MMB>
PV	A811A	EAN LABEL	NR808(B)MMQ	{ 1}	29391215	N <B MMQ>
PV	A811A	EAN LABEL	NR808(B)MMR	{ 1}	29391216	N <B MMR>
PV	<b>[ACCESSARY]</b>					
PV	A1012	INS MANUAL	En(TX-NR808)	1	29400329	N <B MDC, MDF, MMA, MMB, MMP, MMQ, MMR / S MMP>
PV	A1013	INS MANUAL	U2FrEs(TX-NR808)	1	29400330	N <B MDC, MMP / S MMP>
PV	A1014	INS MANUAL	U2ItDe(TX-NR808)	1	29400331	N <B MMP / S MMP>
PV	A1015	INS MANUAL	U2NISv(TX-NR808)	1	29400332	N <B MMP / S MMP>
PV	A1016	INS MANUAL	Ct(TX-NR808)	1	29400333	N <B MDF, MMQ>
PV	A1017	INS MANUAL	Cs(TX-NR808)	1	29400334	N <B MMR>
PV	A1019	INS MANUAL	Ar(TX-NR808)	1	29400336	N <B MMQ>
PV	A1020	INS MANUAL	U3EnFrEs(SIRIUS_2010Mid)	1	29400337	N <B MDC>
PV	A1021	INS MANUAL	En(QSS_TX-NR808)US	1	29400338	N <B MDC, MDF>
PV	A1021	INS MANUAL	En(QSS_TX-NR808)EXCEPT_US	1	29400467	N <B MMA, MMB, MMP, MMQ, MMR / S MMP>
PV	A1022	INS MANUAL	Cs(QSS_TX-NR808)	1	29400339	N <B MMR>
PV	A1100	INS MANUAL	U9(2010_Prepro)	1	29400269	<B MDC, MDF, MMA, MMB, MMP, MMQ, MMR / S MMP>
PV	A1101	HANDBILL	(UP-A1)US	1	29380155A	<B MDC>
PV	A1101	HANDBILL	(UP-A1)EU	1	29380156A	<B MMB, MMP / S MMP>
PV	A1102	HANDBILL	(SIRIUS)	1	29380149	<B MDC>
PV	A1103	INST SHEET	Ct(CHUISI_MDF)	1	29355781	<B MDF>
PV	A1104	INST SHEET	U11(2010_RIHD)	1	29355782	<B MDC, MDF, MMA, MMB, MMP, MMQ, MMR / S MMP>
PV	A1108	INS MANUAL	U2EnDe(last_fm_708-5008)	1	29400365	<B MMB, MMP / S MMP>
PV	A1109	INS MANUAL	U2JaEn(SW_Lice_708-5008)	1	29400366	<B MDC, MDF, MMA, MMB, MMP, MMQ, MMR / S MMP>
PV	A1110	INS MANUAL	U3EnFrEs(InternetRadio_ONK)	1	29400367	<B MDC>
PV	A1112	INS MANUAL	Ar(QC ImportantSheet)	1	29344373A	<B MMQ>
PV	A1113	INST SHEET	U11(2010M/H_A.P.D.)	1	29355790	<B MDC, MDF, MMA, MMB, MMP, MMQ, MMR / S MMP>
PV	A1114	INST SHEET	En(FW_Update_2010M_ONK)	1	29355794	<B MDC, MDF, MMA, MMB, MMP, MMQ, MMR / S MMP>
PV	A1115	INST SHEET	U2FrEs(FW_Update_2010M_ONK)	1	29355795	<B MDC, MMP / S MMP>
PV	A1116	INST SHEET	U4(FW_Update_2010M_ONK)	1	29355796	<B MMP / S MMP>
PV	A1117	INST SHEET	Ct(FW_Update_2010M_ONK)	1	29355797	<B MDF, MMQ>
PV	A1118	INST SHEET	Cs(FW_Update_2010M_ONK)	1	29355798	<B MMR>
PV	A851	POLY BAG	w250xd350	2	29100250A	<B / S>

PV	A853	POLY BAG	w250xd350	1	29100250A	<B MMP / S MMP>
PV	A855	TAPE	(SEROHAN)NITTO NO.29	1	29110149	<B / S>
PV	A861	LABEL	(SPCABLE)2009	1	29390881	<B / S>
PV	A863	INST SHEET	WEEE	1	29355793	<B MMB, MMP / S MMP>
PV	A865	INST SHEET	CHINA ROHS	1	29355616A	<B MMR>
PV	A881	WRNTY CARD	(ONKYO)	1	29365135	<B MDC>
PV	A881	WRNTY CARD	(ONKYO-CH)	1	29365098B	<B MMR>
PV	A881	WRNTY CARD	MGQ	1	29365099A	<B MMQ>
EV	P921	AC CORD	AS-CEE-3	1	253298VOL	! <B MMP / S MMP>
EV	P921	AC CORD	AS-UC-2	1	253352ATES	! <B MDC>
EV	P921	AC CORD	AS-CCC	1	253358VOL	! <B MMR>
EV	P921	AC CORD	AS-SAA	1	253391VOL	! <B MMA>
EV	P921	AC CORD	AS-BS	1	253425YUN	! <B MMB, MMQ>
EV	P921	AC CORD	AS-CNS	1	253432VOL	! <B MDF>
EV	P921 or	AC CORD	AS-UC-2	(1)	253297KAW	! <B MDC>
EV	P921 or	AC CORD	AS-BS	(1)	253425KAW	! <B MMB>
PV	A990	REMO CON	RC-771M	1	24140771	<B / S>
PV	A991	BATTERY	R6/AA(UM-3)	2	3010194	<B MDC, MDF, MMA, MMB, MMP, MMQ / S MMP>
PV	A991 or	BATTERY	R6/AA(UM-3)	(2)	3010054	<B MDC, MDF, MMA, MMB, MMP, MMQ / S MMP>
PV	A992	MIC	MIC-7000	1	245044	<B MDC, MDF, MMA, MMB, MMP, MMQ, MMR / S MMP>
PV	A993	ANT COIL	NMA-3057	1	232140	<B MDC, MDF, MMA, MMB, MMP, MMQ, MMR / S MMP>
PV	A994	FM ANT AS	Type W	1	292191	<B MDC, MDF, MMA, MMB, MMP, MMQ, MMR / S MMP>



---

**ONKYO CORPORATION**

Service Dept. Technical Support : 2-1, Nisshin-cho, Neyagawa-shi, OSAKA 572-8540, JAPAN  
Tel: 072-831-8023 Fax: 072-831-8163

**ONKYO U.S.A. CORPORATION**

18 Park Way, Upper Saddle River, N.J. 07458, U.S.A.  
Tel: 800-229-1687, 201-785-2600 Fax: 201-785-2650 <http://www.us.onkyo.com/>

**ONKYO EUROPE ELECTRONICS GmbH**

Liegnitzerstrasse 6, 82194 Groebenzell, GERMANY  
Tel: +49-8142-4401-0 Fax: +49-8142-4401-555 <http://www.eu.onkyo.com/>

**ONKYO EUROPE ELECTRONICS GmbH (UK BRANCH)**

The Coach House 81A High Street, Marlow, Buckinghamshire, SL7 1AB, UK  
Tel: +44-(0)1628-473-350 Fax: +44-(0)1628-401-700

**ONKYO CHINA LIMITED**

Unit 1&12, 9/F, Ever Gain Plaza Tower 1, 88, Container Port Road, Kwai Chung,  
N.T., Hong Kong. Tel: 852-2429-3118 Fax: 852-2428-9039  
<http://www.ch.onkyo.com/>

